

LED Headlights - Model 8801 Evolution

PRODUCT INFORMATION

Description	12V DOT/ECE LED High Beam Headlight
Height	142.75 mm / 5.62 in
Width	167.39 mm / 6.59 in
Depth	86.36 mm / 3.4 in
Shape	Rectangular
Outer Lens Material	Hardcoated Polycarbonate
Outer Lens Color	Clear
Housing Material	Die-Cast Aluminum
Housing Color	Black
Bezel Color	Chrome
Mounting Type	Universal Pedestal Mount
Retrofits	1A1 and 2A1 (4" 1 6") sealed beams
Minimum Operating Temperature	-40 °C / -40 °F
Maximum Operating Temperature	65 °C / 149 °F
Connector or Wiring	AMP (#172615-2)
Mating Connector	LH Terminal - AMP (#172795-1); RH Terminal - AMP (#172796-1)
Product Weight	2.17 lbs / 0.98 kgs
Shipping Weight	2.39 lbs / 1.08 kgs



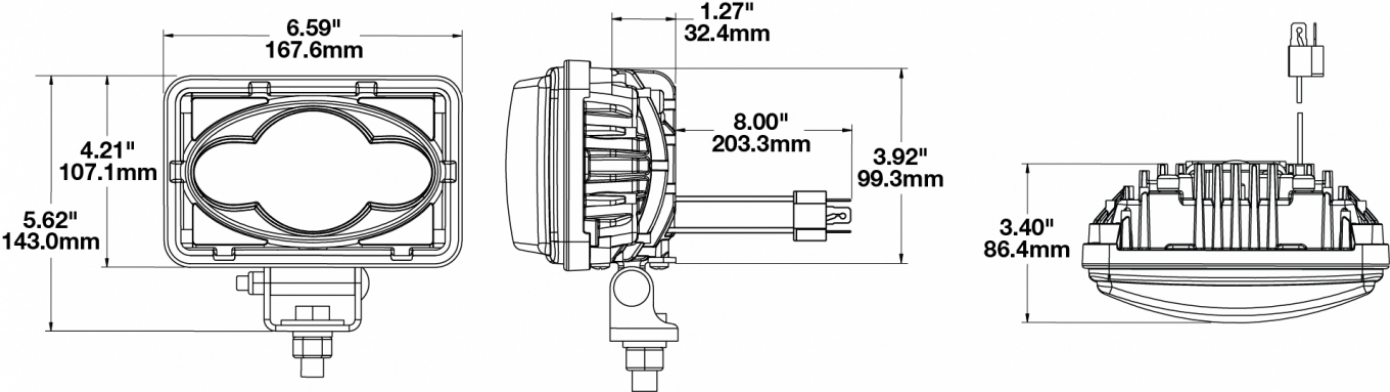
Print date: 2018-07-23

© 2018 J.W. Speaker Corporation • Germantown, WI U.S.A.
 www.jwspeaker.com • speaker@jwspeaker.com • 262.251.6660

J.W. SPEAKER®
 Engineered. Lighting. Solutions.

LED Headlights - Model 8801 Evolution

PRODUCT DIMENSIONS



ELECTRICAL SPECIFICATIONS

Input Voltage	12V DC
Operating Voltage	10-15V DC
Transient Spike Protection	150V Peak @ 1 HZ-100 Pulses
Red Wire	Positive
Black Wire	Negative
Current Draw	2.25A @ 12V DC

REGULATORY STANDARDS COMPLIANCE



Buy America Standards
Eco Friendly
IEC IP67

ECE Reg 112
FMVSS 108 Table XVIII

Print date: 2018-07-23

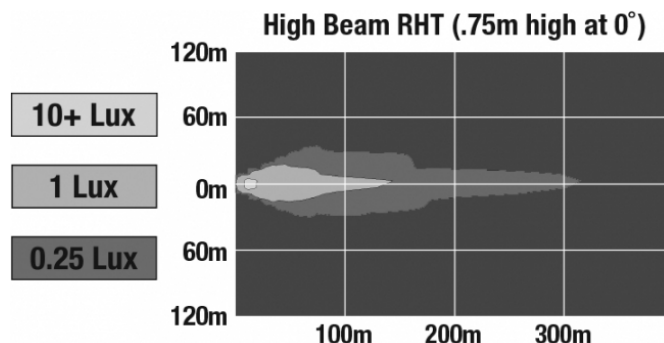
© 2018 J.W. Speaker Corporation • Germantown, WI U.S.A.
www.jwspeaker.com • speaker@jwspeaker.com • 262.251.6660



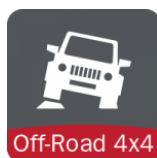
LED Headlights - Model 8801 Evolution

PHOTOMETRIC SPECIFICATIONS

Raw Lumen Output	1,890
Effective Lumen Output	890
Nominal LED Color Temperature	5000 K
Beam Pattern(s)	Forward Lighting - High Beam (DOT/ECE)



APPLICATIONS



ADDITIONAL INFORMATION

Headlight must be securely mounted and properly aimed such that the beam pattern cut off line complies with all applicable regulations. If you are not familiar with the legal requirements for aiming your headlights, please see a professional service provider. We recommend that headlights are aimed with a headlight aiming system for proper alignment.

RELATED PRODUCTS



Part Number
0549211

12V DOT/ECE RHT LED
Low Beam Headlight



Part Number
0549251

12V ECE LHT LED Low
Beam Headlight



Part Number
0550433

12V DOT/ECE LED High
Beam Driving Light - 2
Light Kit



Part Number
1801641

12V LED Work Light
with Flood Beam
Pattern

Print date: 2018-07-23

© 2018 J.W. Speaker Corporation • Germantown, WI U.S.A.
www.jwspeaker.com • speaker@jwspeaker.com • 262.251.6660

J.W. SPEAKER®
Engineered. Lighting. Solutions.