

LED Headlights – Model 8801 Evolution 2

PRODUCT INFORMATION

Description	12/24V SAE/ECE LED High Beam Heated Headlight - Chrome Bezel
Height	145.90 mm / 5.74 in
Width	168.35 mm / 6.63 in
Depth	85.90 mm / 3.38 in
Shape	Rectangular
Outer Lens Material	Hardcoated Polycarbonate
Outer Lens Color	Clear
Housing Material	Die-Cast Aluminum
Housing Color	Black
Bezel Color	Chrome
Mounting Hardware Description	(x1) 1/2"-13 x 1.25" 3/4" Hex Bolt
Mounting Type	Pedestal
Minimum Operating Temperature	-40 °C / -40 °F
Maximum Operating Temperature	65 °C / 149 °F
Connector or Wiring	H4 Connector - AMP (#172615-2)
Mating Connector	LH Terminal - AMP (#172795-1); RH Terminal - AMP (#172796-1)
Product Weight	2.00 lbs / 0.91 kgs
Shipping Weight	2.25 lbs / 1.02 kgs



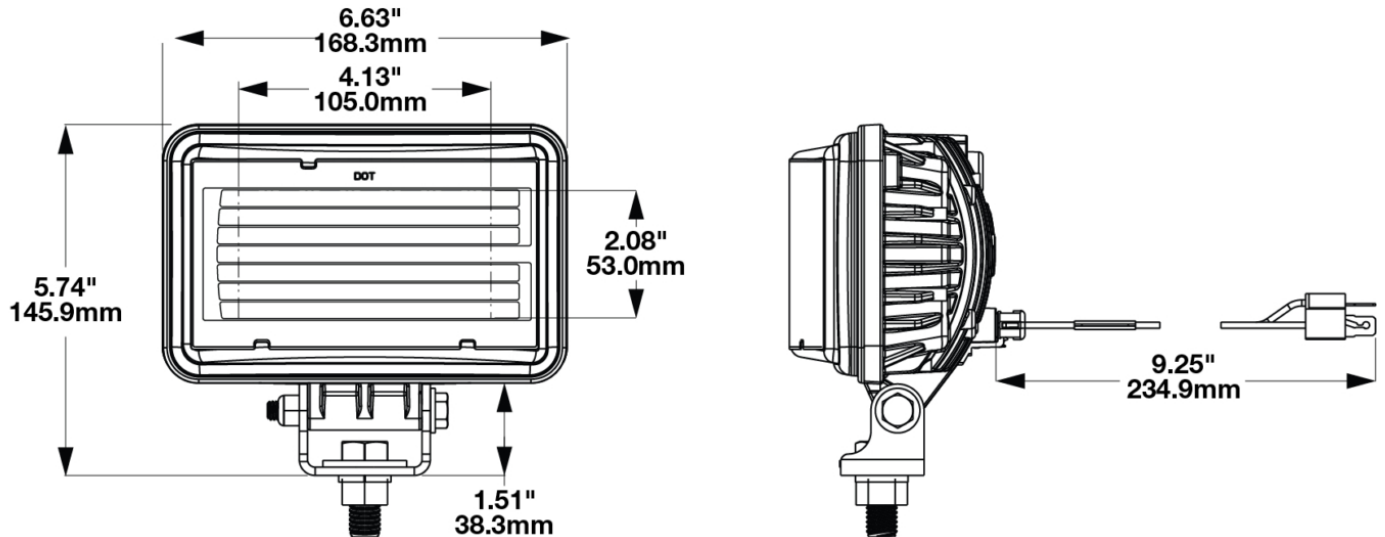
Print date: 2021-04-22

© 2021 J.W. Speaker Corporation • Germantown, WI U.S.A.
www.jwspeaker.com • speaker@jwspeaker.com • 262.251.6660

J.W. SPEAKER®
Engineered. Lighting. Solutions.

LED Headlights – Model 8801 Evolution 2

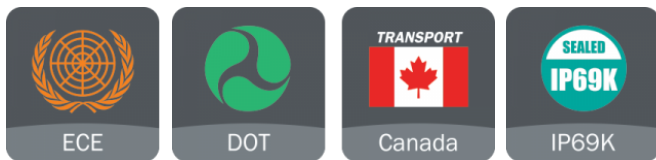
PRODUCT DIMENSIONS



ELECTRICAL SPECIFICATIONS

Input Voltage	12-24V DC
Operating Voltage	9-32V DC
Red Wire	High Beam
Black Wire	Ground
Current Draw	3.30A @ 12V DC 1.67A @ 24V DC

REGULATORY STANDARDS COMPLIANCE



ECE Reg 112
IEC IP69K

FMVSS 108 s10.1 (Table XVIII)

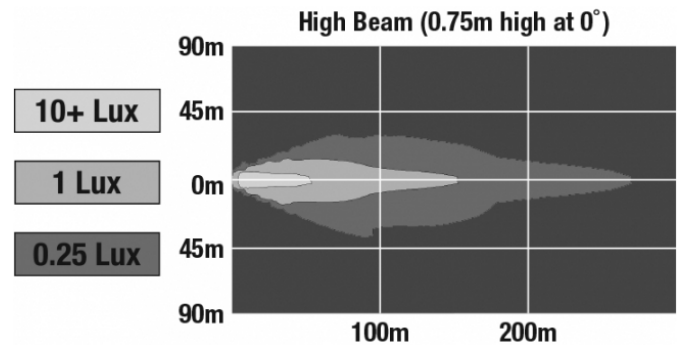
Print date: 2021-04-22

© 2021 J.W. Speaker Corporation • Germantown, WI U.S.A.
www.jwspeaker.com • speaker@jwspeaker.com • 262.251.6660

LED Headlights – Model 8801 Evolution 2

PHOTOMETRIC SPECIFICATIONS

Raw Lumen Output	2,250
Effective Lumen Output	898
Candela Output	73,200
Nominal LED Color Temperature	5000 K
Beam Pattern(s)	Forward Lighting - High Beam (DOT/ECE)



APPLICATIONS



PRODUCT WARNINGS

For California residents:

⚠ **WARNING:** Cancer and reproductive harm - www.P65Warnings.ca.gov.

⚠ **AVERTISSEMENT:** Cancer et effet nocif sur la reproduction - www.P65Warnings.ca.gov.

Print date: 2021-04-22

© 2021 J.W. Speaker Corporation • Germantown, WI U.S.A.

www.jwspeaker.com • speaker@jwspeaker.com • 262.251.6660

J.W. SPEAKER
Engineered. Lighting. Solutions.

LED Headlights – Model 8801 Evolution 2

RELATED PRODUCTS



Part Number
0560041
12/24V SAE/ECE RHT
LED Low Beam
Headlight - Chrome
Bezel



Part Number
0560051
12/24V SAE/ECE LED
High Beam Headlight -
Chrome Bezel



Part Number
0560061
12/24V SAE/ECE RHT
LED Low Beam Heated
Headlight - Chrome
Bezel