

LED Headlights - Model 8700 Evolution 2

PRODUCT INFORMATION

Description	12-24V ECE LED LHT High & Low Beam Headlight with FP, DRL & Black Inner Bezel
Height	176.53 mm / 6.95 in
Width	252.73 mm / 9.95 in
Depth	99.82 mm / 3.93 in
Shape	Round
Outer Lens Material	Polycarbonate
Outer Lens Color	Clear
Housing Material	Aluminum
Housing Color	Gray
Bezel Color	Black
Retrofits	2D1 "PAR56" or 7" round headlights
Minimum Operating Temperature	-40 °C / -40 °F
Maximum Operating Temperature	65 °C / 149 °F
Connector or Wiring	H4
Mating Connector	H4 AMP#172615-2
Product Weight	2.31 lbs / 1.05 kgs



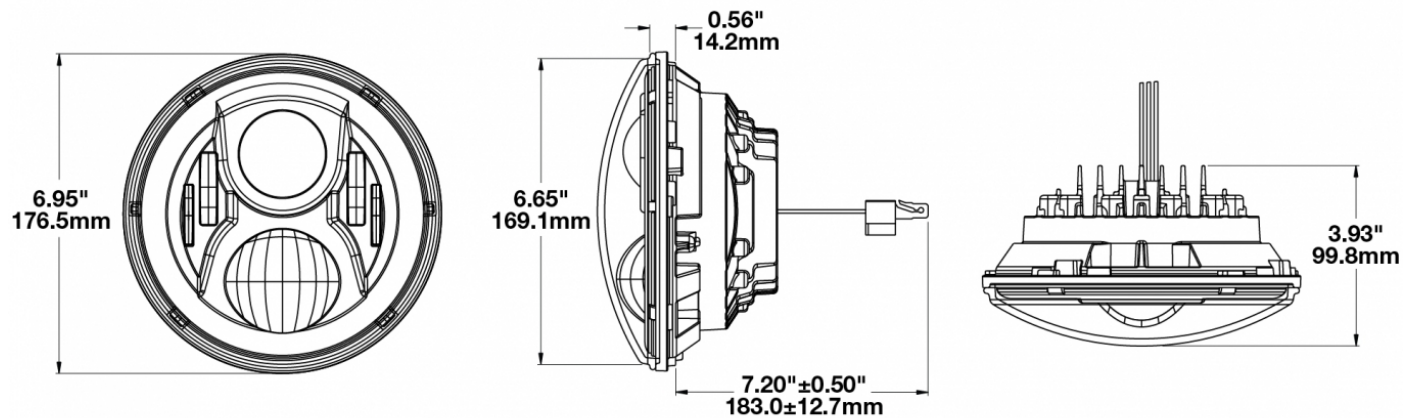
Print date: 2017-06-24

© 2017 J.W. Speaker Corporation • Germantown, WI U.S.A.
 www.jwspeaker.com • speaker@jwspeaker.com • 262.251.6660

J.W. SPEAKER 
 Engineered. Lighting. Solutions.

LED Headlights - Model 8700 Evolution 2

PRODUCT DIMENSIONS



ELECTRICAL SPECIFICATIONS

Input Voltage	12-24V DC
Operating Voltage	9-32V DC
Transient Spike Protection	150V Peak @ 1 HZ-100 Pulses
Black Wire	Ground
White Wire	High Beam
Yellow Wire	Low Beam
Red Wire	Front Position
Blue Wire	DRL
Current Draw	3.00A @ 12V DC (High Beam) 2.00A @ 12V DC (Low Beam) 1.60A @ 24V DC (High Beam) 1.10A @ 24V DC (Low Beam) 1.60A @ 12V DC (DRL) 0.80A @ 24V DC (DRL) 0.16A @ 12V DC (Front Position) 0.10A @ 24V DC (Front Position)

Print date: 2017-06-24

© 2017 J.W. Speaker Corporation • Germantown, WI U.S.A.
www.jwspeaker.com • speaker@jwspeaker.com • 262.251.6660

LED Headlights - Model 8700 Evolution 2

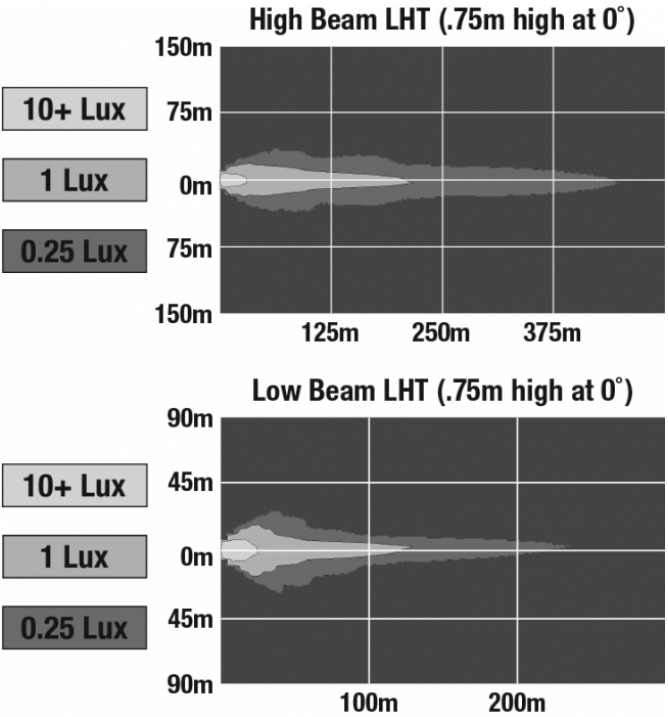
REGULATORY STANDARDS COMPLIANCE



Buy America Standards	ECE Reg 112
ECE Reg 7	ECE Reg 87
Eco Friendly	IEC IP67

PHOTOMETRIC SPECIFICATIONS

Raw Lumen Output	2,610 (High Beam); 1,770 (Low Beam)
Effective Lumen Output	1,150 (High Beam); 750 (Low Beam)
Candela Output	60,897 (High Beam) 35,003 (Low Beam)
Nominal LED Color Temperature	5000 K
Beam Pattern(s)	Forward Lighting - Daytime Running Light Forward Lighting - High Beam (DOT/ECE) Forward Lighting - Low Beam (ECE Left Hand) Signalization - Front Position



Print date: 2017-06-24

© 2017 J.W. Speaker Corporation • Germantown, WI U.S.A.
www.jwspeaker.com • speaker@jwspeaker.com • 262.251.6660



LED Headlights - Model 8700 Evolution 2

APPLICATIONS



ADDITIONAL INFORMATION

Headlight must be securely mounted and properly aimed such that the beam pattern cut off line complies with all applicable regulations. If you are not familiar with the legal requirements for aiming your headlights, please see a professional service provider. We recommend that headlights are aimed with a headlight aiming system for proper alignment.

Fits the following vehicles:

1955-1983 Jeep CJ-5*

1976-1986 Jeep CJ-7*

1981-1985 Jeep CJ-8*

1997-2006 Jeep Wrangler (TJ)

2007-2015 Jeep Wrangler 2-Door (JK)

2007-2015 Jeep Wrangler Unlimited 4-Door (JK)

*Some modification of the bucket may be required

ECE-COMPLIANCE

This light is ECE-compliant and is not for use on-road in the U.S.

To be ECE-compliant guarantees your lights are compliant in the European Union and in non-European countries that have adopted ECE Regulations for visibility, durability, and reliability.

Print date: 2017-06-24

© 2017 J.W. Speaker Corporation • Germantown, WI U.S.A.

www.jwspeaker.com • speaker@jwspeaker.com • 262.251.6660

J.W. SPEAKER 
Engineered. Lighting. Solutions.

LED Headlights - Model 8700 Evolution 2

ACCESSORIES



Part Number
3156351
Mounting Ring Kit for
7" Round (PAR56)
Headlights



Part Number
3156561
Panel Mount Bucket
Assembly for 8700
Evolution & 8710
Series



Part Number
3266081
Jumper Harness
H4/H13 for 8700
Evolution & 8710
Series



Part Number
8000311
Anti-Flicker Harness
H4/H13 for 8700
Evolution Series
Headlights



Part Number
8000381
Anti-Flicker Harness
H4/H4 for 8700
Evolution Series
Headlights

LED Headlights - Model 8700 Evolution 2

RELATED PRODUCTS



Part Number
0549701

12-24V DOT LED High & Low Beam Headlight with Black Inner Bezel



Part Number
0549711

12-24V DOT LED High & Low Beam Headlight with Chrome Inner Bezel



Part Number
0549731

12-24V ECE LED LHT High & Low Beam Headlight with FP, DRL & Chrome Inner Bezel



Part Number
0549741

12-24V ECE LED RHT High & Low Beam Headlight with FP, DRL & Black Inner Bezel



Part Number
0549751

12-24V ECE LED RHT High & Low Beam Headlight with FP, DRL & Chrome Inner Bezel



Part Number
0550201

12-24V ECE LED LHT High & Low Beam Headlight with Black Inner Bezel



Part Number
0550211

12-24V ECE LED LHT High & Low Beam Headlight with Chrome Inner Bezel



Part Number
0550221

12-24V ECE LED RHT High & Low Beam Headlight with Black Inner Bezel