

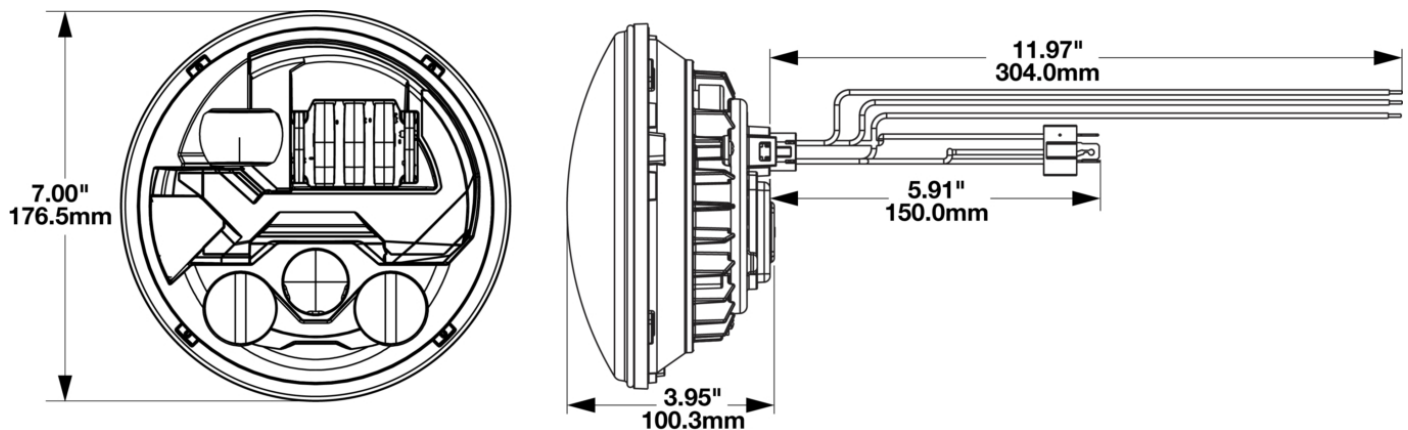
LED Headlights – Model 8700 EVO 3

PRODUCT INFORMATION

Description	12V LHT ECE LED High/Low Beam Heated Headlight - Chrome - Single LH Light
Height	176.50 mm / 6.95 in
Width	176.50 mm / 6.95 in
Depth	112.00 mm / 4.41 in
Shape	Round
Outer Lens Material	Polycarbonate
Outer Lens Color	Clear
Housing Material	Aluminum
Housing Color	Black
Bezel Color	Chrome
Retrofits	7" Round Headlights or 2D1 PAR56
Minimum Operating Temperature	-40 °C / -40 °F
Maximum Operating Temperature	65 °C / 149 °F
Connector or Wiring	H4 / (3X) 11.97" Flying Leads
Product Weight	2.48 lbs / 1.12 kgs
Shipping Weight	3.35 lbs / 1.52 kgs



PRODUCT DIMENSIONS



Print date: 2026-06-21

© 2026 J.W. Speaker Corporation • Germantown, WI U.S.A.
www.jwspeaker.com • speaker@jwspeaker.com • 262.251.6660

J.W. SPEAKER
Engineered. Lighting. Solutions.

LED Headlights – Model 8700 EVO 3

ELECTRICAL SPECIFICATIONS

Input Voltage	12V DC
Operating Voltage	9-16V DC
Transient Spike Protection	150V Peak @ 1 HZ-100 Pulses
Black Wire	Ground
Yellow Wire	Low Beam
White Wire	High Beam
Brown Wire	Front turn
Red Wire	Position
Blue Wire	DRL
Current Draw	2.33A @ 12V DC (Low Beam) 3.25A @ 12V DC (High Beam) 3.00A @ 12V DC (Front Turn) 0.45A @ 12V DC (Position) 3.00A @ 12V DC (DRL) 5.70A @ 12V DC (Low Beam w/Heat) 6.40A @ 12V DC (High Beam w/Heat) 5.50A @ 12V DC (Front Turn w/Heat) 2.70A @ 12V DC (Position w/Heat) 5.50A @ 12V DC (DRL w/Heat)

REGULATORY STANDARDS COMPLIANCE



Buy America Standards
ECE Reg 7
Eco Friendly

ECE Reg 112
ECE Reg 87
IEC IP69K

Print date: 2026-06-21

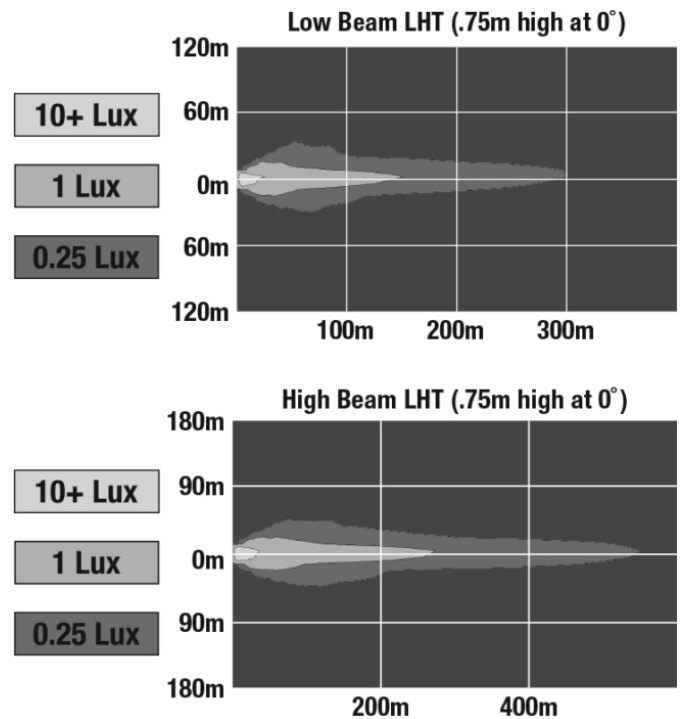
© 2026 J.W. Speaker Corporation • Germantown, WI U.S.A.
www.jwspeaker.com • speaker@jwspeaker.com • 262.251.6660

J.W. SPEAKER
Engineered. Lighting. Solutions.

LED Headlights – Model 8700 EVO 3

PHOTOMETRIC SPECIFICATIONS

Raw Lumen Output	3,600 (High Beam); 3,020 (Low Beam)
Effective Lumen Output	1,320 (High Beam); 1,201 (Low Beam)
Candela Output	68,800 (High Beam) 24,800 (Low Beam)
Nominal LED Color Temperature	5000 K
Beam Pattern(s)	Forward Lighting - Daytime Running Light Forward Lighting - High Beam (ECE) Forward Lighting - Low Beam (ECE Left Hand) Signalization - Front Position Signalization - Turn (Front)



APPLICATIONS



PRODUCT WARNINGS

For California residents:

⚠️ **WARNING:** Cancer and reproductive harm - www.P65Warnings.ca.gov.

⚠️ **AVERTISSEMENT:** Cancer et effet nocif sur la reproduction - www.P65Warnings.ca.gov.

Print date: 2026-06-21

© 2026 J.W. Speaker Corporation • Germantown, WI U.S.A.
www.jwspeaker.com • speaker@jwspeaker.com • 262.251.6660

J.W. SPEAKER
Engineered. Lighting. Solutions.

LED Headlights - Model 8700 EVO 3

ACCESSORIES



Part Number
8201111

Black Polycarbonate
Bucket for 7" Round
(PAR56) Headlight

RELATED PRODUCTS



Part Number
0530171

12V LHT ECE LED
High/Low Beam
Headlight - Black
Single LH Light



Part Number
0530181

12V LHT ECE LED
High/Low Beam
Headlight - Black -
Single RH Light



Part Number
0530193

12V LHT ECE LED
High/Low Beam
Headlight - Black - 2
Light Kit



Part Number
0558123

12V RHT DOT/ECE LED
High/Low Beam
Headlight - Chrome - 2
Light Kit



Part Number
0558133

12V RHT DOT/ECE LED
High/Low Beam
Heated Headlight -
Chrome - 2 Light Kit



Part Number
0558161

12V RHT DOT/ECE LED
High/Low Beam
Headlight - Chrome -
Single RH Light



Part Number
0558171

12V RHT DOT/ECE LED
High/Low Beam
Headlight - Chrome -
Single LH Light



Part Number
0558211

12V RHT DOT/ECE LED
High/Low Beam
Heated Headlight -
Chrome - Single LH
Light

Print date: 2026-06-21

© 2026 J.W. Speaker Corporation • Germantown, WI U.S.A.
www.jwspeaker.com • speaker@jwspeaker.com • 262.251.6660