

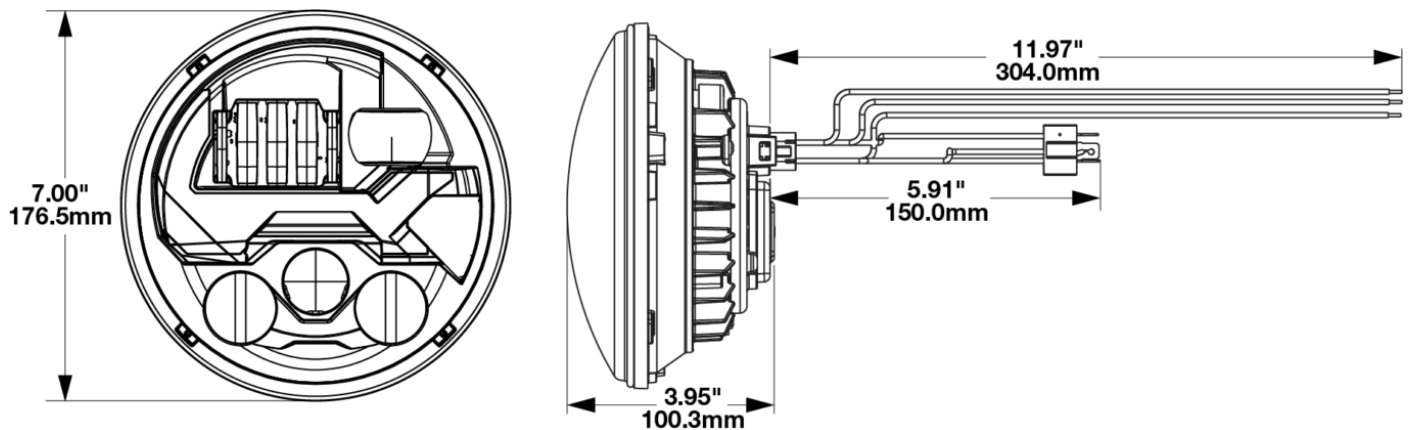
LED Headlights – Model 8700 EVO 3

PRODUCT INFORMATION

Description	12V LHT ECE LED High/Low Beam Headlight - Black - Single RH Light
Height	176.50 mm / 6.95 in
Width	176.50 mm / 6.95 in
Depth	112.00 mm / 4.41 in
Shape	Round
Outer Lens Material	Polycarbonate
Outer Lens Color	Clear
Housing Material	Aluminum
Housing Color	Black
Bezel Color	Black
Retrofits	7" Round Headlights or 2D1 PAR56
Minimum Operating Temperature	-40 °C / -40 °F
Maximum Operating Temperature	65 °C / 149 °F
Connector or Wiring	H4 / (3X) 11.97" Flying Leads
Mating Connector	H4 AMP #172615-2
Product Weight	2.48 lbs / 1.12 kgs
Shipping Weight	3.03 lbs / 1.37 kgs



PRODUCT DIMENSIONS



Print date: 2025-03-20

© 2025 J.W. Speaker Corporation • Germantown, WI U.S.A.
 www.jwspeaker.com • speaker@jwspeaker.com • 262.251.6660

J.W. SPEAKER
 Engineered. Lighting. Solutions.

LED Headlights – Model 8700 EVO 3

ELECTRICAL SPECIFICATIONS

Input Voltage	12V DC
Operating Voltage	9-16V DC
Transient Spike Protection	150V Peak @ 1 HZ-100 Pulses
Black Wire	Ground
Yellow Wire	Low Beam
White Wire	High Beam
Brown Wire	Front Turn
Red Wire	Position
Blue Wire	DRL
Current Draw	2.33A @ 12V DC (Low Beam) 3.25A @ 12V DC (High Beam) 3.00A @ 12V DC (Front Turn) 0.45A @ 12V DC (Front Position) 3.00A @ 12V DC (DRL)

REGULATORY STANDARDS COMPLIANCE



Buy America Standards	ECE Reg 112
ECE Reg 6	ECE Reg 7
ECE Reg 87	Eco Friendly
IEC IP69K	

Print date: 2025-03-20

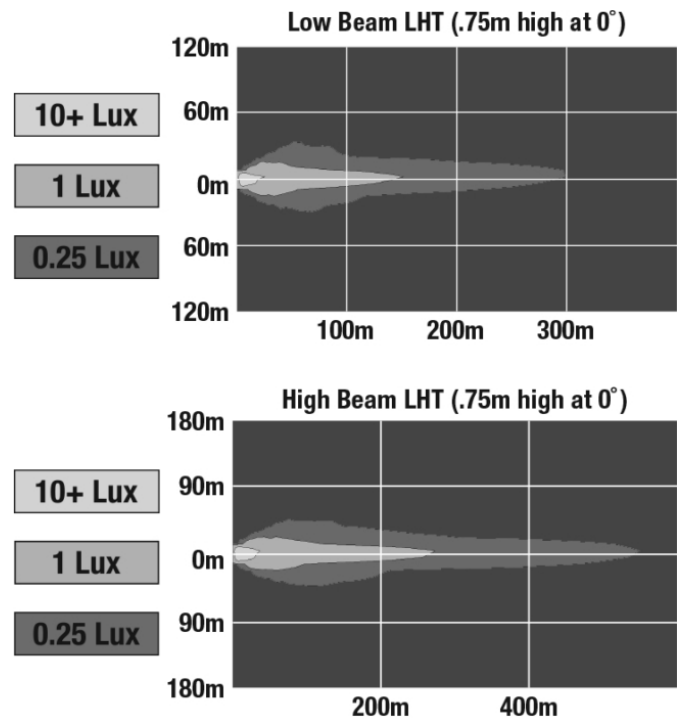
© 2025 J.W. Speaker Corporation • Germantown, WI U.S.A.
www.jwspeaker.com • speaker@jwspeaker.com • 262.251.6660

J.W. SPEAKER 
Engineered. Lighting. Solutions.

LED Headlights – Model 8700 EVO 3

PHOTOMETRIC SPECIFICATIONS

Raw Lumen Output	3,600 (High Beam), 3,020 (Low Beam)
Effective Lumen Output	1,320 (High Beam), 1,201 (Low Beam)
Candela Output	68,800 (High Beam), 24,800 (Low Beam)
Nominal LED Color Temperature	5000 K
Beam Pattern(s)	Forward Lighting - Daytime Running Light Forward Lighting - High Beam (ECE) Forward Lighting - Low Beam (ECE Left Hand) Signalization - Front Position Signalization - Turn (Front)



PRODUCT WARNINGS

For California residents:

⚠ **WARNING:** Cancer and reproductive harm - www.P65Warnings.ca.gov.

⚠ **AVERTISSEMENT:** Cancer et effet nocif sur la reproduction - www.P65Warnings.ca.gov.

Print date: 2025-03-20

© 2025 J.W. Speaker Corporation • Germantown, WI U.S.A.
www.jwspeaker.com • speaker@jwspeaker.com • 262.251.6660

J.W. SPEAKER
Engineered. Lighting. Solutions.

LED Headlights - Model 8700 EVO 3

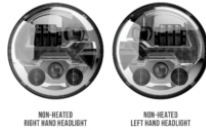
RELATED PRODUCTS



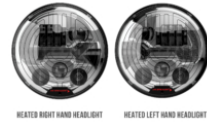
Part Number
0530171
12V LHT ECE LED
High/Low Beam
Headlight - Black
Single LH Light



Part Number
0530193
12V LHT ECE LED
High/Low Beam
Headlight - Black - 2
Light Kit



Part Number
0558123
12V RHT DOT/ECE LED
High/Low Beam
Headlight - Chrome - 2
Light Kit



Part Number
0558133
12V RHT DOT/ECE LED
High/Low Beam
Heated Headlight -
Chrome - 2 Light Kit



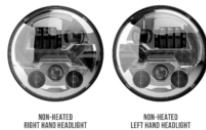
Part Number
0558161
12V RHT DOT/ECE LED
High/Low Beam
Headlight - Chrome -
Single RH Light



Part Number
0558171
12V RHT DOT/ECE LED
High/Low Beam
Headlight - Chrome -
Single LH Light



Part Number
0558211
12V RHT DOT/ECE LED
High/Low Beam
Heated Headlight -
Chrome - Single LH
Light



Part Number
0558243
12V LHT ECE LED
High/Low Beam
Headlight - Chrome - 2
Light Kit