

# 12-24V ECE LED RHT Fired Rated High & Low Beam Headlight with DRL & Black Inner Bezel -

## PRODUCT INFORMATION

<b>Description</b>	12-24V ECE LED RHT Fired Rated High & Low Beam Headlight with DRL & Black Inner Bezel - Single Light
<b>Height</b>	176.50 mm / 6.95 in
<b>Width</b>	176.50 mm / 6.95 in
<b>Depth</b>	101.50 mm / 4 in
<b>Shape</b>	Round
<b>Outer Lens Material</b>	Glass
<b>Outer Lens Color</b>	Clear
<b>Housing Material</b>	Aluminum
<b>Housing Color</b>	Gray
<b>Bezel Color</b>	Black
<b>Retrofits</b>	2D1 "PAR56" or 7" Round Headlights
<b>Minimum Operating Temperature</b>	-40 °C / -40 °F
<b>Maximum Operating Temperature</b>	65 °C / 149 °F
<b>Connector or Wiring</b>	H4
<b>Mating Connector</b>	H4 AMP#172615-2
<b>Product Weight</b>	2.31 lbs / 1.05 kgs
<b>Shipping Weight</b>	2.00 lbs / 0.91 kgs



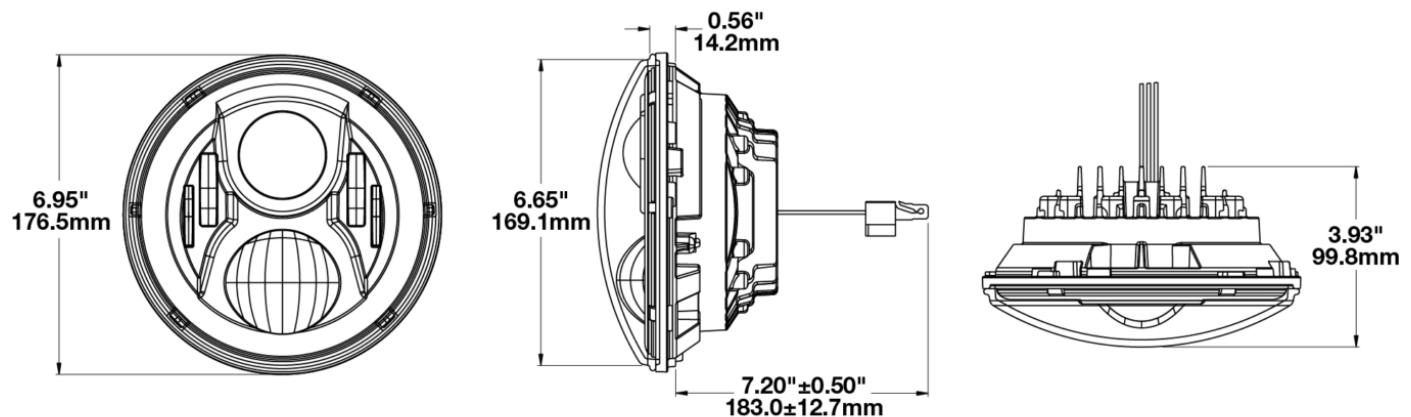
**Print date: 2024-11-10**

© 2024 J.W. Speaker Corporation • Germantown, WI U.S.A.  
[www.jwspeaker.com](http://www.jwspeaker.com) • [speaker@jwspeaker.com](mailto:speaker@jwspeaker.com) • 262.251.6660

**J.W. SPEAKER**   
 Engineered. Lighting. Solutions.

# 12-24V ECE LED RHT Fired Rated High & Low Beam Headlight with DRL & Black Inner Bezel -

## PRODUCT DIMENSIONS



## ELECTRICAL SPECIFICATIONS

<b>Input Voltage</b>	12-24V DC
<b>Operating Voltage</b>	9-32V DC
<b>Transient Spike Protection</b>	150V Peak @ 1 HZ-100 Pulses
<b>Black Wire</b>	Ground
<b>Yellow Wire</b>	Low Beam
<b>White Wire</b>	High Beam
<b>Red Wire</b>	Front Position
<b>Blue Wire</b>	DRL
<b>Current Draw</b>	3.60A @ 12V DC (High Beam) 2.00A @ 12V DC (Low Beam) 1.80A @ 24V DC (High Beam) 1.10A @ 24V DC (Low Beam) 1.60A @ 12V DC (DRL) 0.80A @ 24V DC (DRL) 0.16A @ 12V DC (Front Position) 0.30A @ 24V DC (Front Position)

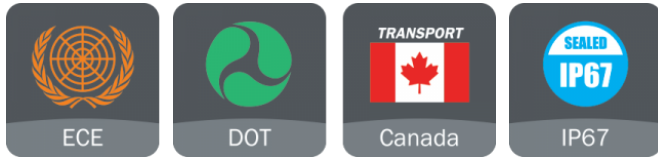
Print date: 2024-11-10

© 2024 J.W. Speaker Corporation • Germantown, WI U.S.A.  
www.jwspeaker.com • speaker@jwspeaker.com • 262.251.6660

# 12-24V ECE LED RHT Fired Rated High & Low Beam Headlight with DRL & Black Inner Bezel -

## REGULATORY STANDARDS COMPLIANCE

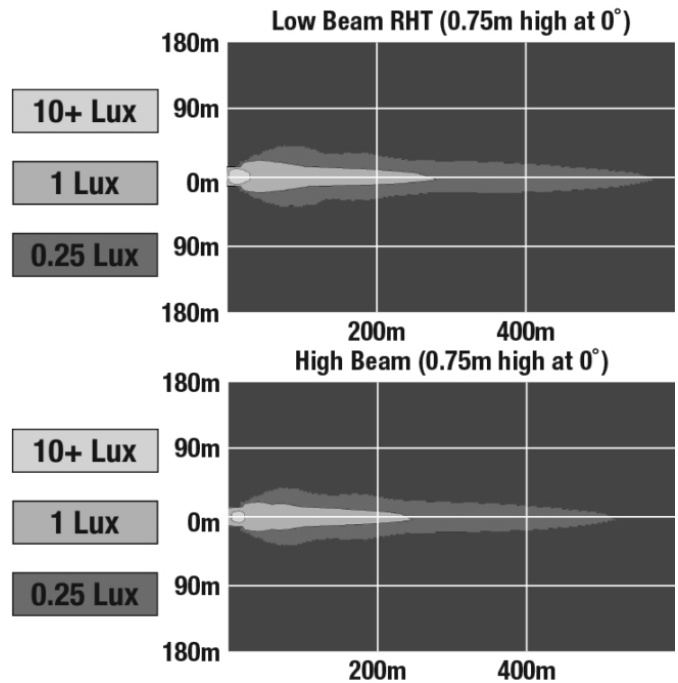
### Single Light



ECE Reg 148 - A	ECE Reg 148 - RL
ECE Reg 149 - HC	ECE Reg 149 - HR
EN 45545-2 HL1	EN 45545-2 HL2
EN 45545-2 HL3	FMVSS SAE J2087
FMVSS SAE J222	IEC IP67

## PHOTOMETRIC SPECIFICATIONS

<b>Raw Lumen Output</b>	4,170 (High Beam); 2,340 (Low Beam)
<b>Effective Lumen Output</b>	1,340 (High Beam); 694 (Low Beam)
<b>Candela Output</b>	84,700 (High Beam); 30,600 (Low Beam)
<b>Nominal LED Color Temperature</b>	5000 K
<b>Beam Pattern(s)</b>	Forward Lighting - Daytime Running Light Signalization - Front Position



Print date: 2024-11-10

© 2024 J.W. Speaker Corporation • Germantown, WI U.S.A.  
www.jwspeaker.com • speaker@jwspeaker.com • 262.251.6660

# 12-24V ECE LED RHT Fired Rated High & Low Beam Headlight with DRL & Black Inner Bezel -

## APPLICATIONS

---

Single Light



## PRODUCT WARNINGS

---

For California residents:

⚠ **WARNING:** Cancer and reproductive harm - [www.P65Warnings.ca.gov](http://www.P65Warnings.ca.gov).

⚠ **AVERTISSEMENT:** Cancer et effet nocif sur la reproduction - [www.P65Warnings.ca.gov](http://www.P65Warnings.ca.gov).

## SUITS THESE PRODUCTS

---



**7" Round ECE  
Compliant  
Headlights with  
Dual Burn®  
Technology**

LED Headlights -  
Model 8700 EVO 2  
PRO

---

**Print date: 2024-11-10**

© 2024 J.W. Speaker Corporation • Germantown, WI U.S.A.  
[www.jwspeaker.com](http://www.jwspeaker.com) • [speaker@jwspeaker.com](mailto:speaker@jwspeaker.com) • 262.251.6660

**J.W. SPEAKER®**  
*Engineered. Lighting. Solutions.*