

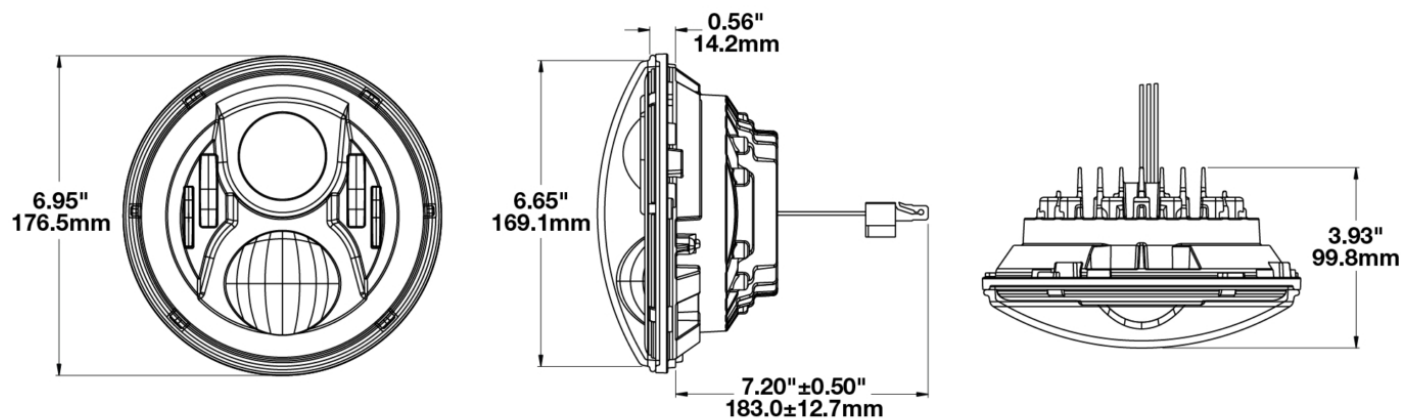
LED Headlights - Model 8700 EVO 2 PRO

PRODUCT INFORMATION

| | |
|--------------------------------------|--|
| Description | 12-24V ECE LED LHT High & Low Beam Headlight with Black Inner Bezel - Single Light |
| Height | 176.53 mm / 6.95 in |
| Width | 176.53 mm / 6.95 in |
| Depth | 99.82 mm / 3.93 in |
| Outer Lens Material | Polycarbonate |
| Outer Lens Color | Clear |
| Housing Material | Aluminum |
| Housing Color | Gray |
| Bezel Color | Black |
| Retrofits | 2D1 "PAR56" or 7" round headlights |
| Minimum Operating Temperature | -40 °C / -40 °F |
| Maximum Operating Temperature | 65 °C / 149 °F |
| Connector or Wiring | H4 |
| Mating Connector | H4 AMP#172615-2 |
| Product Weight | 2.31 lbs / 1.05 kgs |
| Shipping Weight | 4.00 lbs / 1.81 kgs |



PRODUCT DIMENSIONS



Print date: 2024-11-10

© 2024 J.W. Speaker Corporation • Germantown, WI U.S.A.
 www.jwspeaker.com • speaker@jwspeaker.com • 262.251.6660

J.W. SPEAKER
 Engineered. Lighting. Solutions.

LED Headlights - Model 8700 EVO 2 PRO

ELECTRICAL SPECIFICATIONS

| | |
|-----------------------------------|--|
| Input Voltage | 12-24V DC |
| Operating Voltage | 9-32V DC |
| Transient Spike Protection | 150V Peak @ 1 HZ-100 Pulses |
| Black Wire | Ground |
| Yellow Wire | Low Beam |
| White Wire | High Beam |
| Current Draw | 3.60A @ 12V DC (High Beam) 2.00A @ 12V DC (Low Beam) 1.80A @ 24V DC (High Beam) 1.10A @ 24V DC (Low Beam) |

REGULATORY STANDARDS COMPLIANCE



Buy America Standards
ECE Reg 112
IEC IP67

ECE Reg 10
Eco Friendly

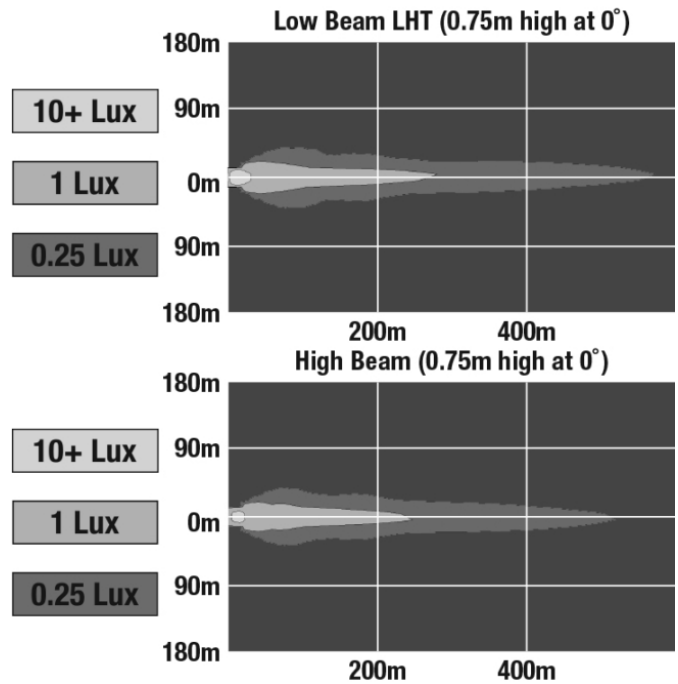
Print date: 2024-11-10

© 2024 J.W. Speaker Corporation • Germantown, WI U.S.A.
www.jwspeaker.com • speaker@jwspeaker.com • 262.251.6660

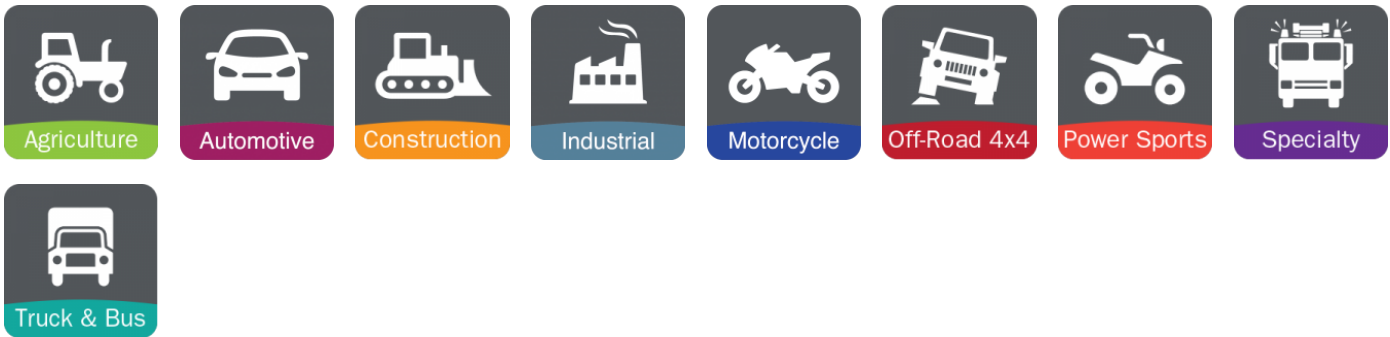
LED Headlights - Model 8700 EVO 2 PRO

PHOTOMETRIC SPECIFICATIONS

| | |
|--------------------------------------|---|
| Raw Lumen Output | 4,170 (High Beam); 2,340 (Low Beam) |
| Effective Lumen Output | 1,340 (High Beam); 694 (Low Beam) |
| Candela Output | 84,700 (High Beam); 30,600 (Low Beam) |
| Nominal LED Color Temperature | 5000 K |
| Beam Pattern(s) | Forward Lighting - High Beam (ECE) Forward Lighting - Low Beam (ECE Left Hand) |



APPLICATIONS



PRODUCT WARNINGS

For California residents:

⚠️ WARNING: Cancer and reproductive harm - www.P65Warnings.ca.gov.

⚠️ AVERTISSEMENT: Cancer et effet nocif sur la reproduction - www.P65Warnings.ca.gov.

Print date: 2024-11-10

© 2024 J.W. Speaker Corporation • Germantown, WI U.S.A.
www.jwspeaker.com • speaker@jwspeaker.com • 262.251.6660



LED Headlights - Model 8700 EVO 2 PRO

ACCESSORIES



Part Number
0559951

12-24V ECE LED RHT
Fired Rated High &
Low Beam Headlight
with DRL & Black Inner
Bezel - Single Light

RELATED PRODUCTS



Part Number
0556951

12-24V ECE LHT High
& Low Beam Headlight
with DRL - Chrome



Part Number
0556961

12-24V ECE LHT High
& Low Beam Headlight
with DRL - Black



Part Number
0556971

12-24V ECE RHT High
& Low Beam Headlight
with DRL & Chrome
Inner Bezel - Single
Light



Part Number
0556981

12-24V ECE RHT High
& Low Beam Headlight
with DRL - Black



Part Number
0557511

12-24V ECE LED RHT
High & Low Beam
Headlight with Black
Inner Bezel - Single
Light