

# LED Headlights - Model 8700 EVO 2 PRO

## PRODUCT INFORMATION

<b>Description</b>	12-24V ECE RHT High & Low Beam Headlight with DRL & Chrome Inner Bezel - Single Light
<b>Height</b>	176.53 mm / 6.95 in
<b>Width</b>	176.53 mm / 6.95 in
<b>Depth</b>	99.82 mm / 3.93 in
<b>Shape</b>	Round
<b>Outer Lens Material</b>	Polycarbonate
<b>Outer Lens Color</b>	Clear
<b>Housing Material</b>	Aluminum
<b>Housing Color</b>	Gray
<b>Bezel Color</b>	Chrome
<b>Retrofits</b>	2D1 "PAR56" or 7" Round Headlights
<b>Minimum Operating Temperature</b>	-40 °C / -40 °F
<b>Maximum Operating Temperature</b>	65 °C / 149 °F
<b>Connector or Wiring</b>	H4
<b>Mating Connector</b>	H4 AMP#172615-2
<b>Product Weight</b>	2.31 lbs / 1.05 kgs
<b>Shipping Weight</b>	3.35 lbs / 1.52 kgs



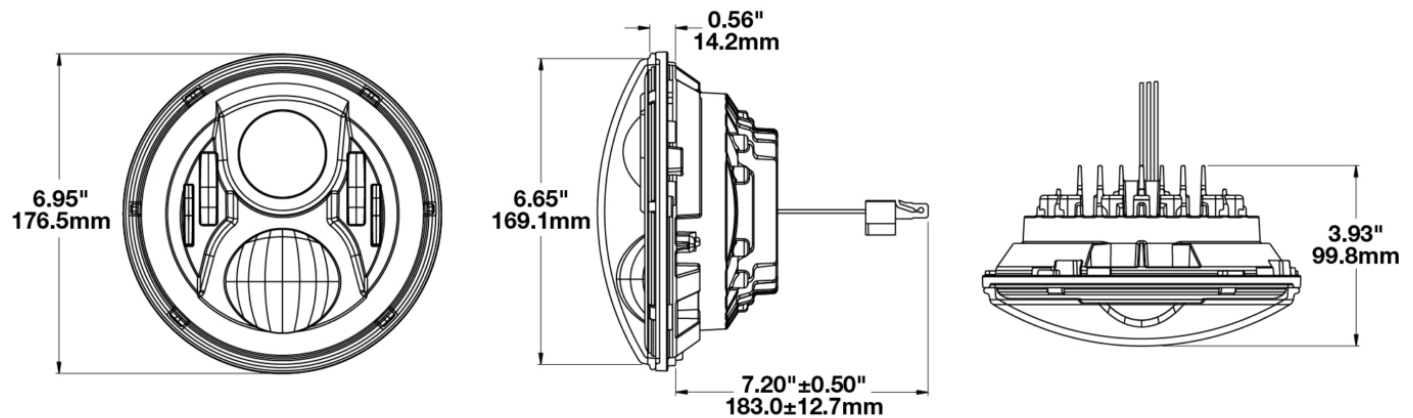
Print date: 2019-12-15

© 2019 J.W. Speaker Corporation • Germantown, WI U.S.A.  
[www.jwspeaker.com](http://www.jwspeaker.com) • [speaker@jwspeaker.com](mailto:speaker@jwspeaker.com) • 262.251.6660

**J.W. SPEAKER**®  
 Engineered. Lighting. Solutions.

# LED Headlights - Model 8700 EVO 2 PRO

## PRODUCT DIMENSIONS



## ELECTRICAL SPECIFICATIONS

<b>Input Voltage</b>	12-24V DC
<b>Operating Voltage</b>	9-32V DC
<b>Transient Spike Protection</b>	150V Peak @ 1 HZ-100 Pulses
<b>Black Wire</b>	Ground
<b>Yellow Wire</b>	Low Beam
<b>White Wire</b>	High Beam
<b>Red Wire</b>	Front Position
<b>Blue Wire</b>	DRL
<b>Current Draw</b>	3.60A @ 12V DC (High Beam) 2.00A @ 12V DC (Low Beam) 1.80A @ 24V DC (High Beam) 1.10A @ 24V DC (Low Beam) 1.60A @ 12V DC (DRL) 0.80A @ 24V DC (DRL) 0.16A @ 12V DC (Front Position) 0.10A @ 24V DC (Front Position)

Print date: 2019-12-15

© 2019 J.W. Speaker Corporation • Germantown, WI U.S.A.  
www.jwspeaker.com • speaker@jwspeaker.com • 262.251.6660

# LED Headlights - Model 8700 EVO 2 PRO

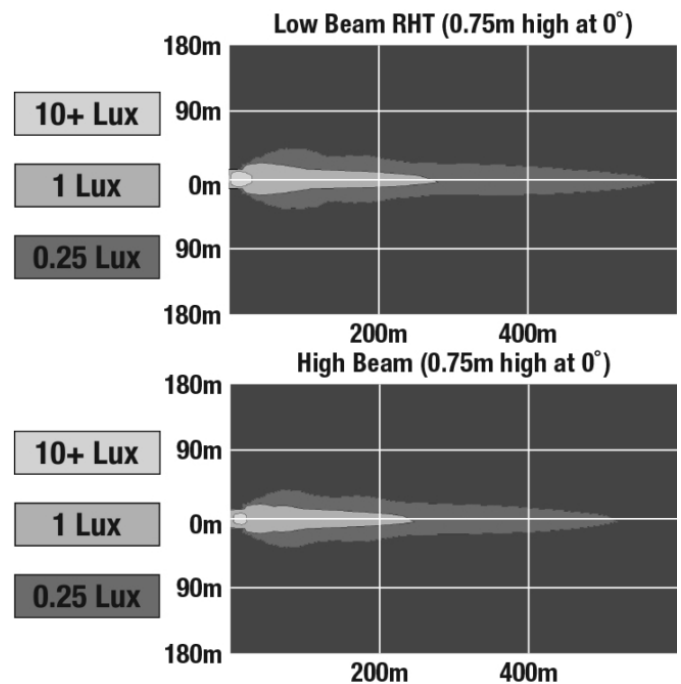
## REGULATORY STANDARDS COMPLIANCE



Buy America Standards	ECE Reg 10
ECE Reg 112	ECE Reg 7
ECE Reg 87	Eco Friendly
IEC IP67	

## PHOTOMETRIC SPECIFICATIONS

<b>Raw Lumen Output</b>	4,170 (High Beam); 2,340 (Low Beam)
<b>Effective Lumen Output</b>	1,340 (High Beam); 694 (Low Beam)
<b>Candela Output</b>	84,700 (High Beam); 30,600 (Low Beam)
<b>Nominal LED Color Temperature</b>	5000 K
<b>Beam Pattern(s)</b>	Forward Lighting - Daytime Running Light Forward Lighting - High Beam (ECE) Forward Lighting - Low Beam (ECE Right Hand) Signalization - Front Position



Print date: 2019-12-15

© 2019 J.W. Speaker Corporation • Germantown, WI U.S.A.  
www.jwspeaker.com • speaker@jwspeaker.com • 262.251.6660

# LED Headlights - Model 8700 EVO 2 PRO

## APPLICATIONS

---



## PRODUCT WARNINGS

---

For California residents:

⚠ **WARNING:** Cancer and reproductive harm - [www.P65Warnings.ca.gov](http://www.P65Warnings.ca.gov).

⚠ **AVERTISSEMENT:** Cancer et effet nocif sur la reproduction - [www.P65Warnings.ca.gov](http://www.P65Warnings.ca.gov).

---

**Print date: 2019-12-15**

© 2019 J.W. Speaker Corporation • Germantown, WI U.S.A.  
www.jwspeaker.com • speaker@jwspeaker.com • 262.251.6660

**J.W. SPEAKER**   
*Engineered. Lighting. Solutions.*

# LED Headlights - Model 8700 EVO 2 PRO

## RELATED PRODUCTS

---



**Part Number**  
**0556951**

12-24V ECE LHT High & Low Beam Headlight with DRL - Chrome



**Part Number**  
**0556961**

12-24V ECE LHT High & Low Beam Headlight with DRL - Black



**Part Number**  
**0556981**

12-24V ECE RHT High & Low Beam Headlight with DRL - Black



**Part Number**  
**0557111**

12-24V ECE LED LHT High & Low Beam Headlight with DRL & Chrome Inner Bezel - Single Light



**Part Number**  
**0557501**

12-24V ECE LED LHT High & Low Beam Headlight with Black Inner Bezel - Single Light



**Part Number**  
**0557511**

12-24V ECE LED RHT High & Low Beam Headlight with Black Inner Bezel - Single Light