

LED Headlights - Model 8700 Evo 2 Dual Burn

PRODUCT INFORMATION

| | |
|--------------------------------------|---|
| Description | 12-24V DOT LED High & Low Beam Headlight with Black Inner Bezel |
| Height | 176.53 mm / 6.95 in |
| Width | 176.53 mm / 6.95 in |
| Depth | 99.82 mm / 3.93 in |
| Shape | Round |
| Outer Lens Material | Polycarbonate |
| Outer Lens Color | Clear |
| Housing Material | Die-Cast Aluminum |
| Housing Color | Gray |
| Bezel Color | Black |
| Retrofits | 2D1 "PAR56" or 7" round headlights |
| Minimum Operating Temperature | -40 °C / -40 °F |
| Maximum Operating Temperature | 65 °C / 149 °F |
| Connector or Wiring | H4 |
| Mating Connector | H4 AMP#172615-2 |
| Product Weight | 2.31 lbs / 1.05 kgs |
| Shipping Weight | 3.50 lbs / 1.59 kgs |



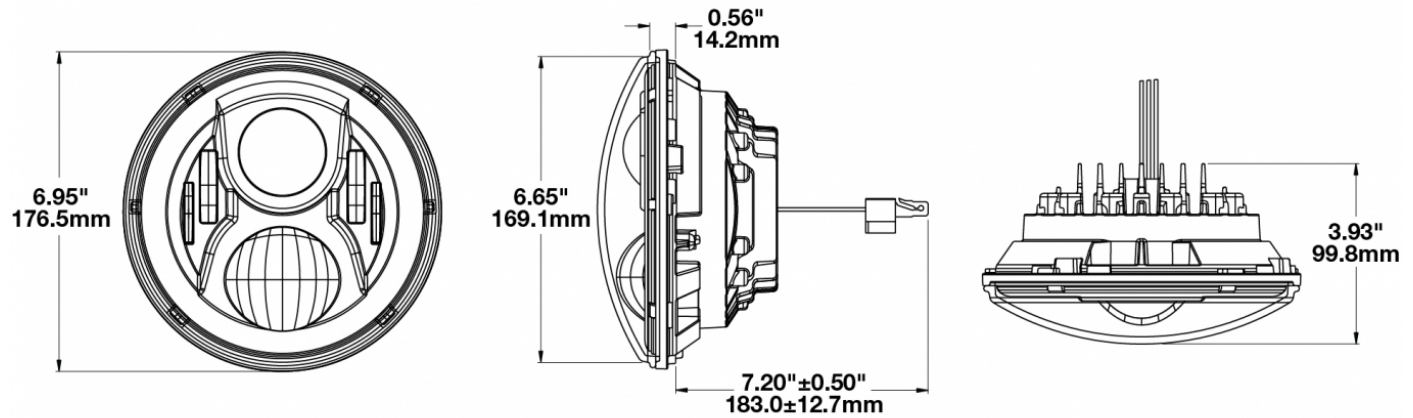
Print date: 2018-11-20

© 2018 J.W. Speaker Corporation • Germantown, WI U.S.A.
 www.jwspeaker.com • speaker@jwspeaker.com • 262.251.6660

J.W. SPEAKER 
 Engineered. Lighting. Solutions.

LED Headlights - Model 8700 Evo 2 Dual Burn

PRODUCT DIMENSIONS



ELECTRICAL SPECIFICATIONS

| | |
|-----------------------------------|--|
| Input Voltage | 12-24V DC |
| Operating Voltage | 9-32V DC |
| Transient Spike Protection | 150V Peak @ 1 HZ-100 Pulses |
| Black Wire | Ground |
| White Wire | High Beam |
| Yellow Wire | Low Beam |
| Current Draw | 3.50A @ 12V DC (High Beam) 2.00A @ 12V DC (Low Beam) 1.80A @ 24V DC (High Beam) 1.10A @ 24V DC (Low Beam) |

Print date: 2018-11-20

© 2018 J.W. Speaker Corporation • Germantown, WI U.S.A.
www.jwspeaker.com • speaker@jwspeaker.com • 262.251.6660

LED Headlights - Model 8700 Evo 2 Dual Burn

REGULATORY STANDARDS COMPLIANCE

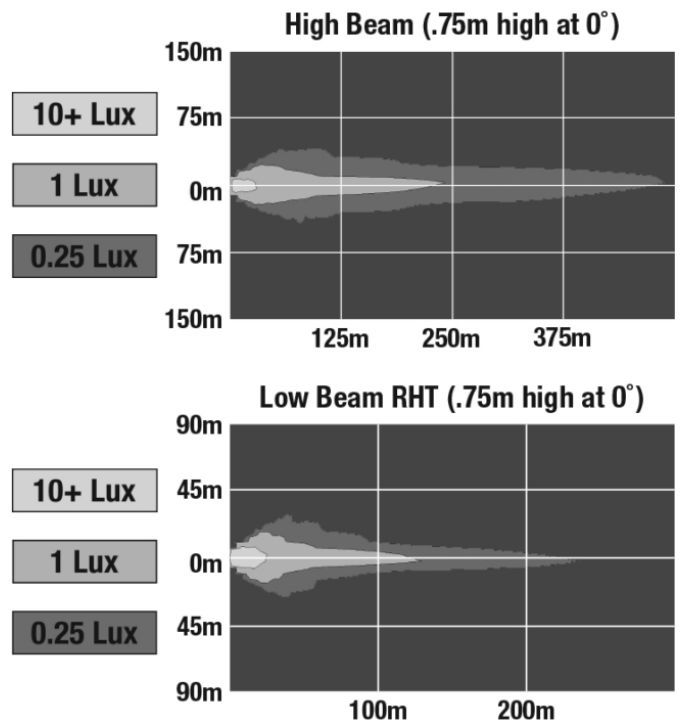


Buy America Standards
 FMVSS 108 Table XIX
 IEC IP67

Eco Friendly
 FMVSS 108 Table XVIII

PHOTOMETRIC SPECIFICATIONS

| | |
|--------------------------------------|---|
| Raw Lumen Output | 3,200 (High Beam); 1,770(Low Beam) |
| Effective Lumen Output | 1,260 (High Beam); 750 (Low Beam) |
| Candela Output | 71,500 (High Beam) 35,003 (Low Beam) |
| Nominal LED Color Temperature | 5000 K |
| Beam Pattern(s) | Forward Lighting - High Beam (DOT) Forward Lighting - Low Beam (DOT) |



Print date: 2018-11-20

© 2018 J.W. Speaker Corporation • Germantown, WI U.S.A.
 www.jwspeaker.com • speaker@jwspeaker.com • 262.251.6660

LED Headlights - Model 8700 Evo 2 Dual Burn

APPLICATIONS



Automotive



Motorcycle



Off-Road 4x4



Specialty



Truck & Bus

ADDITIONAL INFORMATION

Headlight must be securely mounted and properly aimed such that the beam pattern cut off line complies with all applicable regulations. If you are not familiar with the legal requirements for aiming your headlights, please see a professional service provider. We recommend that headlights are aimed with a headlight aiming system for proper alignment.

ACCESSORIES



Part Number
8000381

Anti-Flicker Harness
H4/H4 for 8700
Evolution Series
Headlights



Part Number
3156351

Mounting Ring Kit for
7" Round (PAR56)
Headlights



Part Number
3156561

Panel Mount Bucket
Assembly for 8700
Evolution & 8710
Series



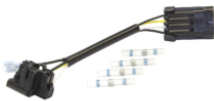
Part Number
3266081

Jumper Harness
H4/H13 for 8700
Evolution & 8710
Series



Part Number
8000311

Anti-Flicker Harness
H4/H13 for 8700
Evolution Series
Headlights



Part Number
8200411

Wire Harness H4 for 7"
Round (PAR56)
Headlights

Print date: 2018-11-20

© 2018 J.W. Speaker Corporation • Germantown, WI U.S.A.
www.jwspeaker.com • speaker@jwspeaker.com • 262.251.6660

J.W. SPEAKER
Engineered. Lighting. Solutions.

LED Headlights - Model 8700 Evo 2 Dual Burn

RELATED PRODUCTS



Part Number
0552751

12-24V ECE LED LHT
High & Low Beam
Headlight with FP, DRL,
Black Inner Bezel



Part Number
0552761

12-24V ECE LED RHT
High & Low Beam
Headlight with FP, DRL,
Black Inner Bezel



Part Number
0553311

12-24V ECE LED LHT
High & Low Beam
Headlight with FP, DRL,
Chrome Inner Bezel



Part Number
0553321

12-24V ECE LED RHT
High & Low Beam
Headlight with FP, DRL,
Chrome Inner Bezel



Part Number
0554961

12-24V DOT LED High
& Low Beam Headlight
with Chrome Inner
Bezel



Part Number
0554981

12-24V DOT LED High
& Low Beam Headlight
with Black Inner Bezel
& Mounting Ring



Part Number
0554991

12-24V DOT LED High
& Low Beam Headlight
with Chrome Inner
Bezel & Mounting Ring



Part Number
0556281

12-24V DOT LED High
& Low Beam Heated
Headlight with Black
Inner Bezel