

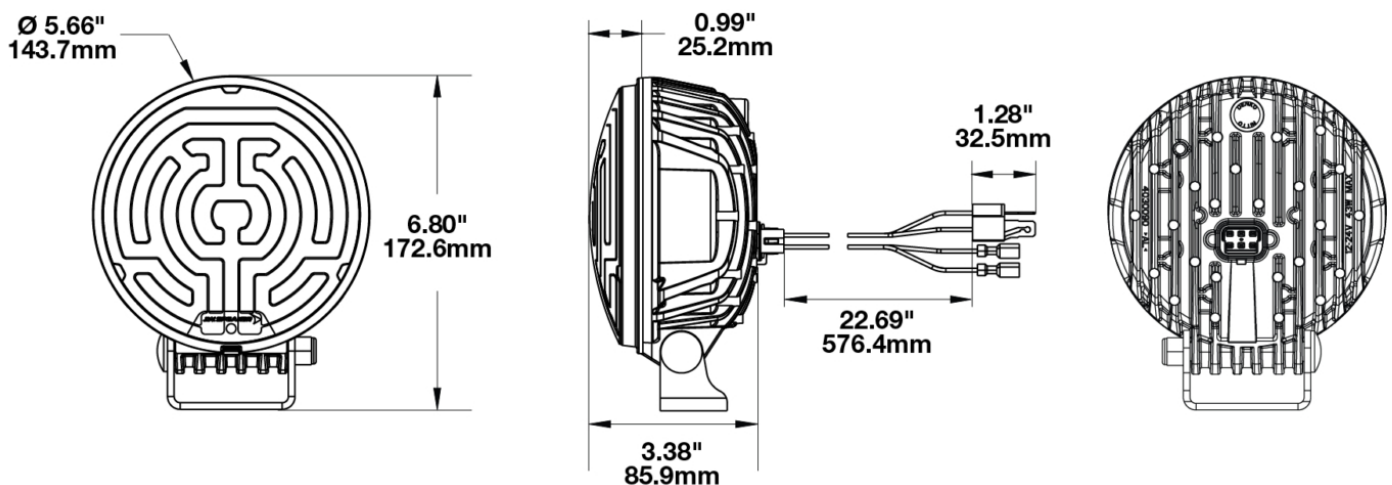
LED Headlight – Model 8632 Evolution

PRODUCT INFORMATION

Description	24V DOT/ECE LED LHT Heated High & Low Beam Headlight with Turn Signal & FP - Bulk
Height	172.50 mm / 6.79 in
Width	143.50 mm / 5.65 in
Depth	100.50 mm / 3.96 in
Shape	Round
Outer Lens Material	Polycarbonate
Outer Lens Color	Clear
Housing Color	Black
Mounting Hardware Description	(x1) .375"-18 x 1.5" Single Bolt
Minimum Operating Temperature	-40 °C / -40 °F
Maximum Operating Temperature	65 °C / 149 °F
Connector or Wiring	Housing Integral Connector (APTIV 12124107)
Mating Connector	APTIV 12052840 JWS 5747010
Product Weight	3.40 lbs / 1.54 kgs



PRODUCT DIMENSIONS



Print date: 2023-01-28

© 2023 J.W. Speaker Corporation • Germantown, WI U.S.A.
 www.jwspeaker.com • speaker@jwspeaker.com • 262.251.6660

J.W. SPEAKER 
 Engineered. Lighting. Solutions.

LED Headlight – Model 8632 Evolution

ELECTRICAL SPECIFICATIONS

Input Voltage	24V DC
Operating Voltage	20-32V DC
Current Draw	0.785A @ 24V DC (Low Beam) 1.24A @ 24V DC (High Beam) 0.043A @ 24V DC (Parking/Front Position) 0.268A @ 24V DC (Front Turn) 1A @ 24V DC (Lens Heater)

REGULATORY STANDARDS COMPLIANCE



ECE Reg 149 - R

Tested to ECE Reg. 10
(Radiated Emissions only)

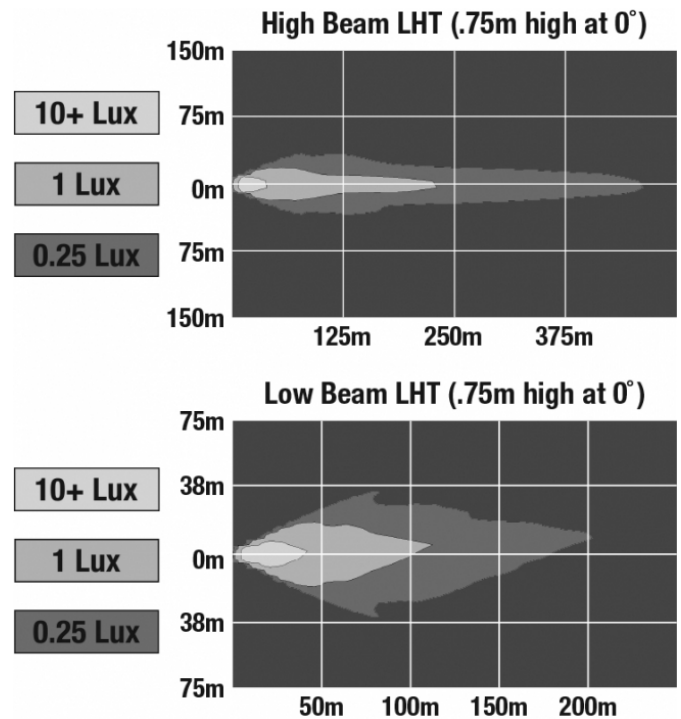
Print date: 2023-01-28

© 2023 J.W. Speaker Corporation • Germantown, WI U.S.A.
www.jwspeaker.com • speaker@jwspeaker.com • 262.251.6660

LED Headlight – Model 8632 Evolution

PHOTOMETRIC SPECIFICATIONS

Raw Lumen Output	2925 HB / 2025 LB
Effective Lumen Output	1000 HB / 660 LB
Candela Output	51000 HB / 23000 LB
Nominal LED Color Temperature	5665 K
Beam Pattern(s)	Forward Lighting - High Beam (ECE) Forward Lighting - Low Beam (ECE Left Hand) Signalization - Front Position Signalization - Turn (Front)



PRODUCT WARNINGS

For California residents:

⚠ **WARNING:** Cancer and reproductive harm - www.P65Warnings.ca.gov.

⚠ **AVERTISSEMENT:** Cancer et effet nocif sur la reproduction - www.P65Warnings.ca.gov.

Print date: 2023-01-28

© 2023 J.W. Speaker Corporation • Germantown, WI U.S.A.
www.jwspeaker.com • speaker@jwspeaker.com • 262.251.6660

J.W. SPEAKER
Engineered. Lighting. Solutions.

LED Headlight – Model 8632 Evolution

RELATED PRODUCTS



Part Number
0530031

24V DOT/ECE LED RHT
Heated High & Low
Beam Headlight with
Turn Signal & FP



Part Number
0530032

24V DOT/ECE LED RHT
Heated High & Low
Beam Headlight with
Turn Signal & FP - Bulk



Part Number
0530041

24V DOT/ECE LED LHT
Heated High & Low
Beam Headlight with
Turn Signal & FP



Part Number
0551561

12-24V DOT/ECE LED
RHT Right Hand High &
Low Beam Headlight
with Turn Signal, FP &
DRL



Part Number
0551571

12-24V DOT/ECE LED
RHT Left Hand High &
Low Beam Headlight
with Turn Signal, FP &
DRL



Part Number
0551973

12-24V ECE LED LHT
High & Low Beam
Headlights with Turn
Signal, FP & DRL - 2
Light Kit



Part Number
0551983

12-24V DOT/ECE LED
RHT High & Low Beam
Headlights with Turn
Signal, FP & DRL - 2
Light Kit



Part Number
0551991

12-24V ECE LED LHT
Right Hand High & Low
Beam Headlight with
Turn Signal, FP & DRL