

LED ATV and UTV Headlights - Model 8415 Evolution

PRODUCT INFORMATION

Description	12-24V SAE/ECE LED High/Low Beam Light with Xenoy Housing & Fixed Panel Mount
Height	119.63 mm / 4.71 in
Width	111.25 mm / 4.38 in
Depth	72.90 mm / 2.87 in
Shape	Round
Outer Lens Material	Polycarbonate
Outer Lens Color	Clear
Housing Material	Xenoy
Housing Color	Black
Mounting Type	Fixed Panel Mount
Retrofits	Smaller Vehicles
Minimum Operating Temperature	-40 °C / -40 °F
Maximum Operating Temperature	65 °C / 149 °F
Mating Connector	PE 12110293
Product Weight	0.51 lbs / 0.23 kgs
Shipping Weight	1.10 lbs / 0.5 kgs
Additional Information	Lamp meets SAE J1623, SAE J2258, ASABE S608, ECE Reg 113 Class C



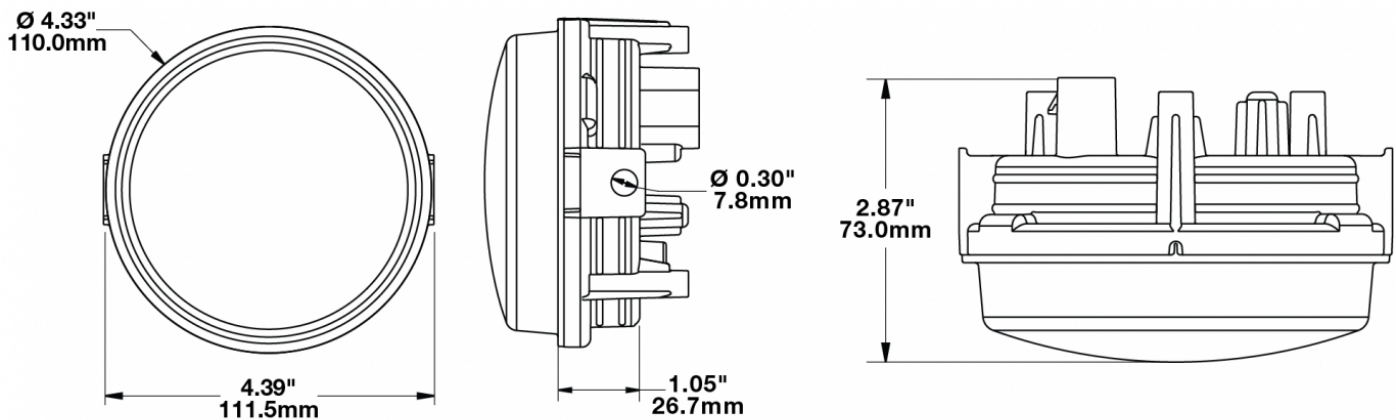
Print date: 2024-11-10

© 2024 J.W. Speaker Corporation • Germantown, WI U.S.A.
www.jwspeaker.com • speaker@jwspeaker.com • 262.251.6660

J.W. SPEAKER 
Engineered. Lighting. Solutions.

LED ATV and UTV Headlights - Model 8415 Evolution

PRODUCT DIMENSIONS



ELECTRICAL SPECIFICATIONS

Input Voltage	12/24V DC
Operating Voltage	10-30V DC
Current Draw	1.14A @ 12V DC 0.41A @ 12V DC 0.57A @ 24V DC 0.22A @ 24V DC

REGULATORY STANDARDS COMPLIANCE



ASABE S608
ECE Reg 113
IEC IP67
SAE J2258

Buy America Standards
Eco Friendly
SAE J1623

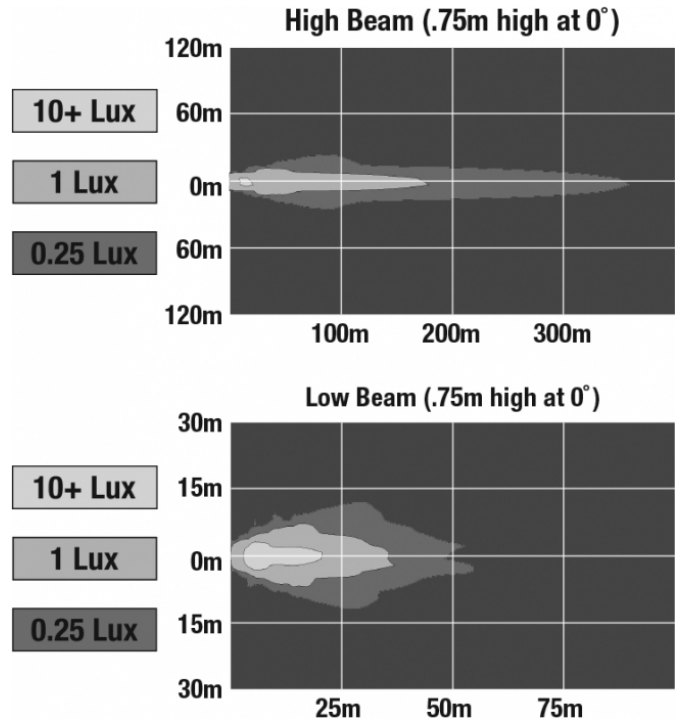
Print date: 2024-11-10

© 2024 J.W. Speaker Corporation • Germantown, WI U.S.A.
www.jwspeaker.com • speaker@jwspeaker.com • 262.251.6660

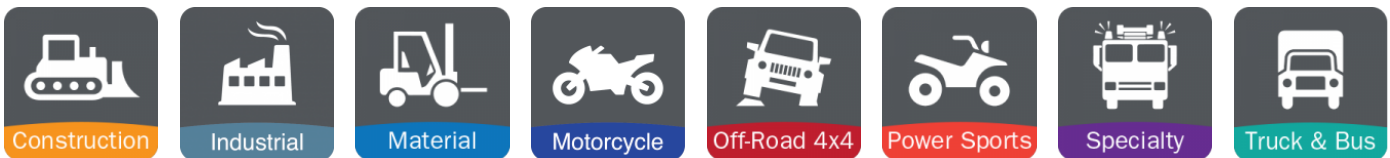
LED ATV and UTV Headlights - Model 8415 Evolution

PHOTOMETRIC SPECIFICATIONS

Raw Lumen Output	1,075 (High Beam); 430 (Low Beam)
Effective Lumen Output	720 (High Beam); 240 (Low Beam)
Nominal LED Color Temperature	5000 K
Beam Pattern(s)	Forward Lighting - High Beam (DOT/ECE) Forward Lighting - Low Beam (DOT) Forward Lighting - Low Beam (ECE Right Hand)



APPLICATIONS



PRODUCT WARNINGS

For California residents:

⚠️ **WARNING:** Cancer and reproductive harm - www.P65Warnings.ca.gov.

⚠️ **AVERTISSEMENT:** Cancer et effet nocif sur la reproduction - www.P65Warnings.ca.gov.

Print date: 2024-11-10

© 2024 J.W. Speaker Corporation • Germantown, WI U.S.A.
www.jwspeaker.com • speaker@jwspeaker.com • 262.251.6660



LED ATV and UTV Headlights - Model 8415 Evolution

RELATED PRODUCTS



Part Number
0551191

12-24V SAE/ECE LED High/Low Beam Light with Xenoy Housing & Adjustable Mount



Part Number
0552031

12-24V SAE/ECE LED High/Low Beam Light with Polycarbonate Housing & Adjustable Mount - UL Version



Part Number
0556421

12-24V SAE LED Low Beam ATV Headlight with Fixed Panel Mount



Part Number
0556431

12-24V SAE LED Low Beam ATV Headlight with Adjustable Mount



Part Number
0558361

12-24V DOT LED Low Beam/Front Position Headlight w/ Built in Turn Signal & Adjustable Mount