

LED ATV and UTV Headlights - Model 8415 Evolution

PRODUCT INFORMATION

Description	12-24V SAE/ECE LED High/Low Beam Light with Xenoy Housing & Adjustable Mount
Height	119.63 mm / 4.71 in
Width	111.25 mm / 4.38 in
Depth	72.90 mm / 2.87 in
Shape	Round
Outer Lens Material	Polycarbonate
Outer Lens Color	Clear
Housing Material	Xenoy
Housing Color	Black
Mounting Type	Adjustable Mount
Retrofits	Large Vehicles
Minimum Operating Temperature	-40 °C / -40 °F
Maximum Operating Temperature	65 °C / 149 °F
Mating Connector	PE 12110293
Product Weight	0.51 lbs / 0.23 kgs
Shipping Weight	1.10 lbs / 0.5 kgs
Additional Information	Lamp meets SAE J1623, SAE J2258, ASABE S608, ECE Reg 113 Class C. Adjustable Mount is needed for larger vehicles in order to modify pattern as needed.



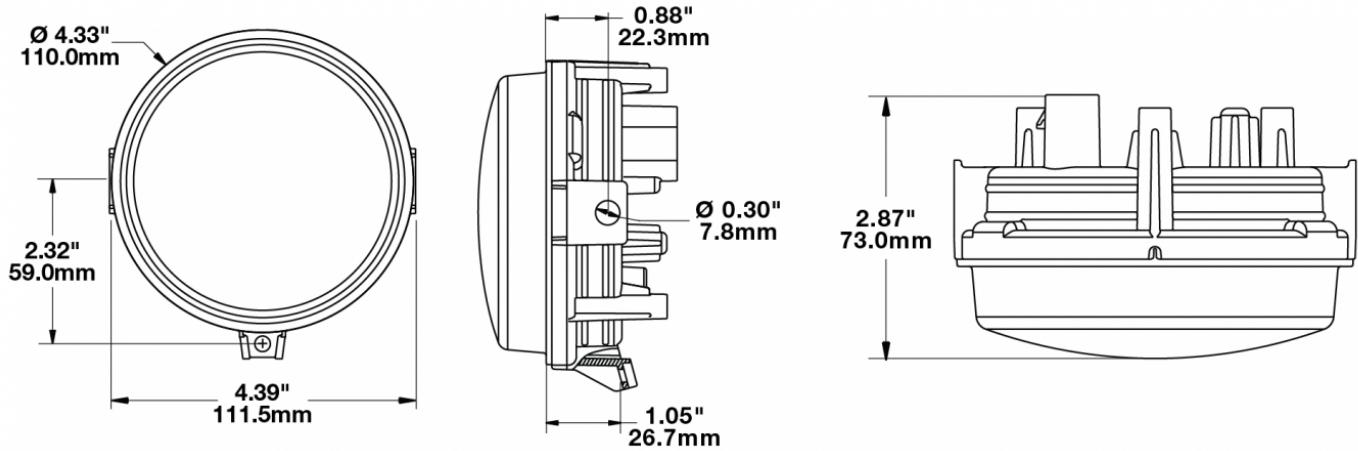
Print date: 2024-11-08

© 2024 J.W. Speaker Corporation • Germantown, WI U.S.A.
www.jwspeaker.com • speaker@jwspeaker.com • 262.251.6660

J.W. SPEAKER 
Engineered. Lighting. Solutions.

LED ATV and UTV Headlights - Model 8415 Evolution

PRODUCT DIMENSIONS



ELECTRICAL SPECIFICATIONS

Input Voltage	12-24V DC
Operating Voltage	10-30V DC
Current Draw	1.14A @ 12V DC (High Beam) 0.41A @ 12V DC (Low Beam) 0.57A @ 24V DC (High Beam) 0.22A @ 24V DC (Low Beam)

REGULATORY STANDARDS COMPLIANCE



ASABE S608
ECE Reg 113
IEC IP67
SAE J2258

Buy America Standards
Eco Friendly
SAE J1623

Print date: 2024-11-08

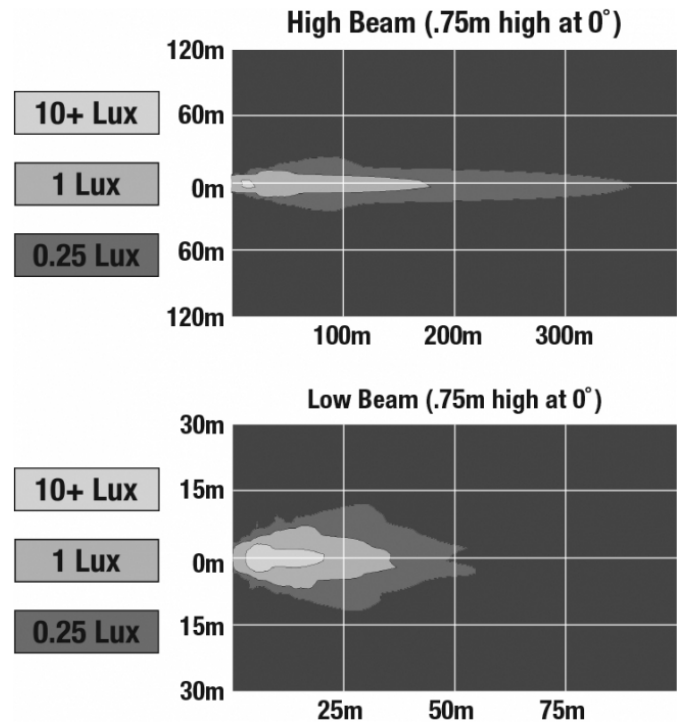
© 2024 J.W. Speaker Corporation • Germantown, WI U.S.A.
www.jwspeaker.com • speaker@jwspeaker.com • 262.251.6660

J.W. SPEAKER
Engineered. Lighting. Solutions.

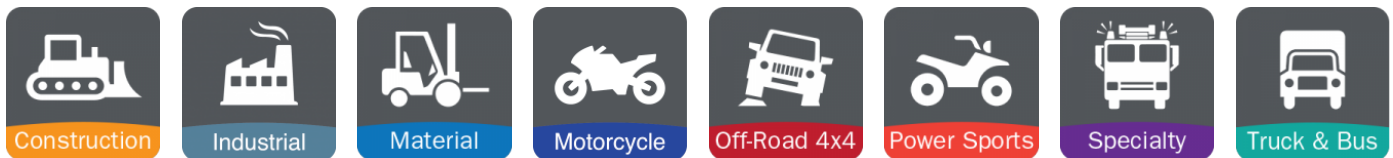
LED ATV and UTV Headlights - Model 8415 Evolution

PHOTOMETRIC SPECIFICATIONS

Raw Lumen Output	1,075 (High Beam); 430 (Low Beam)
Effective Lumen Output	720 (High Beam); 240 (Low Beam)
Nominal LED Color Temperature	5000 K
Beam Pattern(s)	Forward Lighting - High Beam (DOT/ECE) Forward Lighting - Low Beam (DOT) Forward Lighting - Low Beam (ECE Right Hand)



APPLICATIONS



PRODUCT WARNINGS

For California residents:

⚠️ **WARNING:** Cancer and reproductive harm - www.P65Warnings.ca.gov.

⚠️ **AVERTISSEMENT:** Cancer et effet nocif sur la reproduction - www.P65Warnings.ca.gov.

Print date: 2024-11-08

© 2024 J.W. Speaker Corporation • Germantown, WI U.S.A.
www.jwspeaker.com • speaker@jwspeaker.com • 262.251.6660

J.W. SPEAKER
Engineered. Lighting. Solutions.

LED ATV and UTV Headlights - Model 8415 Evolution

RELATED PRODUCTS



Part Number
0551761
12-24V SAE/ECE LED
High/Low Beam Light
with Xenoy Housing &
Fixed Panel Mount



Part Number
0552031
12-24V SAE/ECE LED
High/Low Beam Light
with Polycarbonate
Housing & Adjustable
Mount - UL Version



Part Number
0556421
12-24V SAE LED Low
Beam ATV Headlight
with Fixed Panel
Mount



Part Number
0556431
12-24V SAE LED Low
Beam ATV Headlight
with Adjustable Mount



Part Number
0558361
12-24V DOT LED Low
Beam/Front Position
Headlight w/ Built in
Turn Signal &
Adjustable Mount