

# LED Headlights - Model 515

## PRODUCT INFORMATION

<b>Description</b>	12-48V ECE LED Material Handling Headlight with Black Inner Bezel
<b>Height</b>	194.06 mm / 7.64 in
<b>Width</b>	107.95 mm / 4.25 in
<b>Depth</b>	131.57 mm / 5.18 in
<b>Shape</b>	Stylized
<b>Outer Lens Material</b>	Hardcoated Polycarbonate
<b>Outer Lens Color</b>	Clear
<b>Housing Material</b>	Die-Cast Aluminum
<b>Housing Color</b>	Black
<b>Bezel Color</b>	Black
<b>Mounting Hardware Description</b>	(x2) M6-1 x 25 Mounting Bolts
<b>Mounting Type</b>	Mounts to front of lift truck
<b>Minimum Operating Temperature</b>	-40 °C / -40 °F
<b>Maximum Operating Temperature</b>	65 °C / 149 °F
<b>Connector or Wiring</b>	Integrated 4-Pin Deutsch Weather-Proof Socket (DT04-4P)
<b>Mating Connector</b>	4-Pin Deutsch Weather-Proof Plug (DT06-4S)
<b>Product Weight</b>	2.14 lbs / 0.97 kgs



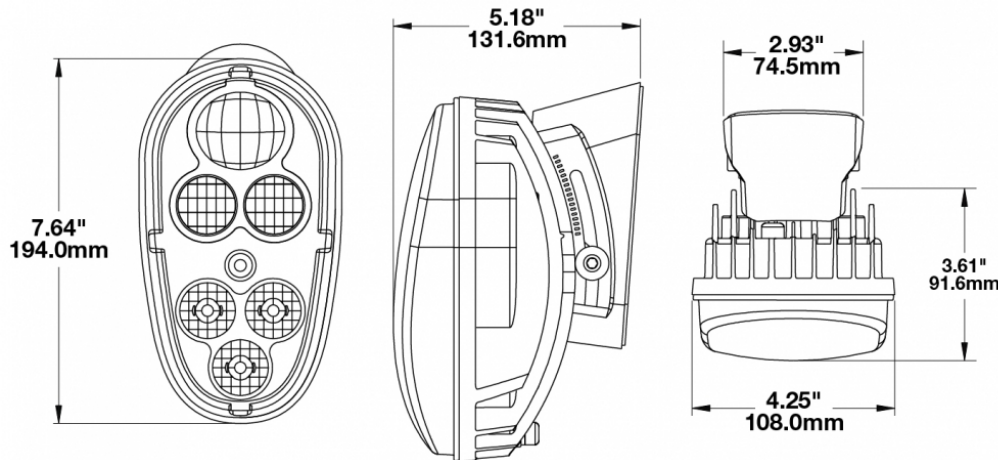
Print date: 2017-09-26

© 2017 J.W. Speaker Corporation • Germantown, WI U.S.A.  
 www.jwspeaker.com • speaker@jwspeaker.com • 262.251.6660

**J.W. SPEAKER**   
 Engineered. Lighting. Solutions.

# LED Headlights - Model 515

## PRODUCT DIMENSIONS



## ELECTRICAL SPECIFICATIONS

<b>Input Voltage</b>	12-48V DC
<b>Operating Voltage</b>	9-60V DC
<b>Transient Spike Protection</b>	330V Peak @ 1 HZ-100 Pulses
<b>White Wire</b>	Front Position
<b>Red Wire</b>	Low Beam
<b>Yellow Wire</b>	Turn
<b>Black Wire</b>	Ground
<b>Current Draw</b>	0.60A @ 12V DC (Low Beam)
	0.30A @ 24V DC (Low Beam)
	0.20A @ 36V DC (Low Beam)
	0.15A @ 48V DC (Low Beam)
	0.05A @ 12V DC (Front Position)
	0.05A @ 24V DC (Front Position)
	0.05A @ 36V DC (Front Position)
	0.05A @ 48V DC (Front Position)
	1.45A @ 12V DC (Turn Signal)
	0.70A @ 24V DC (Turn Signal)
	0.45A @ 36V DC (Turn Signal)
	0.40A @ 48V DC (Turn Signal)

Print date: 2017-09-26

© 2017 J.W. Speaker Corporation • Germantown, WI U.S.A.  
[www.jwspeaker.com](http://www.jwspeaker.com) • [speaker@jwspeaker.com](mailto:speaker@jwspeaker.com) • 262.251.6660

# LED Headlights - Model 515

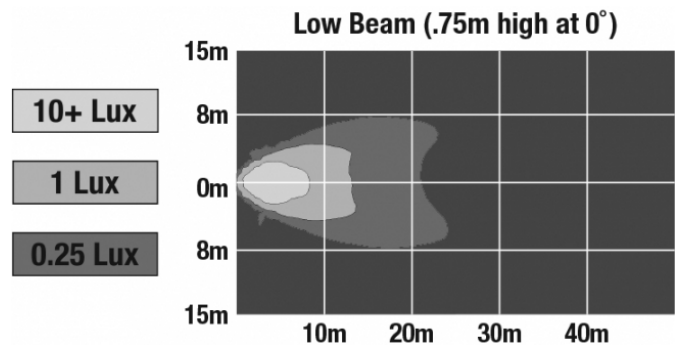
## REGULATORY STANDARDS COMPLIANCE



Buy America Standards	ECE Reg 113
ECE Reg 6	ECE Reg 7
Eco Friendly	IEC IP67

## PHOTOMETRIC SPECIFICATIONS

<b>Raw Lumen Output</b>	540 Lumens (Low Beam)
<b>Effective Lumen Output</b>	420 Lumens (Low Beam)
<b>Nominal LED Color Temperature</b>	5000 K
<b>Beam Pattern(s)</b>	Forward Lighting - Low Beam (ECE Left Hand) Forward Lighting - Low Beam (ECE Right Hand) Signalization - Front Position Signalization - Turn (Front) Signalization - Turn (Rear)



## APPLICATIONS



Print date: 2017-09-26

© 2017 J.W. Speaker Corporation • Germantown, WI U.S.A.  
www.jwspeaker.com • speaker@jwspeaker.com • 262.251.6660

# LED Headlights - Model 515

## RELATED PRODUCTS

---



**Part Number**

**0549201**

12-48V ECE LED  
Material Handling  
Headlight with Chrome  
Inner Bezel

---

**Print date: 2017-09-26**

© 2017 J.W. Speaker Corporation • Germantown, WI U.S.A.  
www.jwspeaker.com • speaker@jwspeaker.com • 262.251.6660