

LED Headlight - Model 8770 Locomotive

PRODUCT INFORMATION

Description	24-110V LED Locomotive Headlight with Warm White leds with no EOL. AU & ROW use
Height	176.50 mm / 6.95 in
Width	176.50 mm / 6.95 in
Depth	101.00 mm / 3.98 in
Shape	Round
Outer Lens Material	Polycarbonate
Outer Lens Color	Clear
Housing Material	Aluminum
Housing Color	Gray
Bezel Color	Black
Mounting Type	Panel
Retrofits	2D1 "PAR56" or 7" Round Headlights
Minimum Operating Temperature	-40 °C / -40 °F
Maximum Operating Temperature	65 °C / 149 °F
Product Weight	2.60 lbs / 1.18 kgs
Shipping Weight	3.06 lbs / 1.39 kgs
Additional Information	EN 55011: 2007 IEC 61000-4-5: 2014 EN 61000-4-3 EN 61000-4-4: 2012 EN 50155_2007 Additional Transient: 1500V chassis to ground short protection



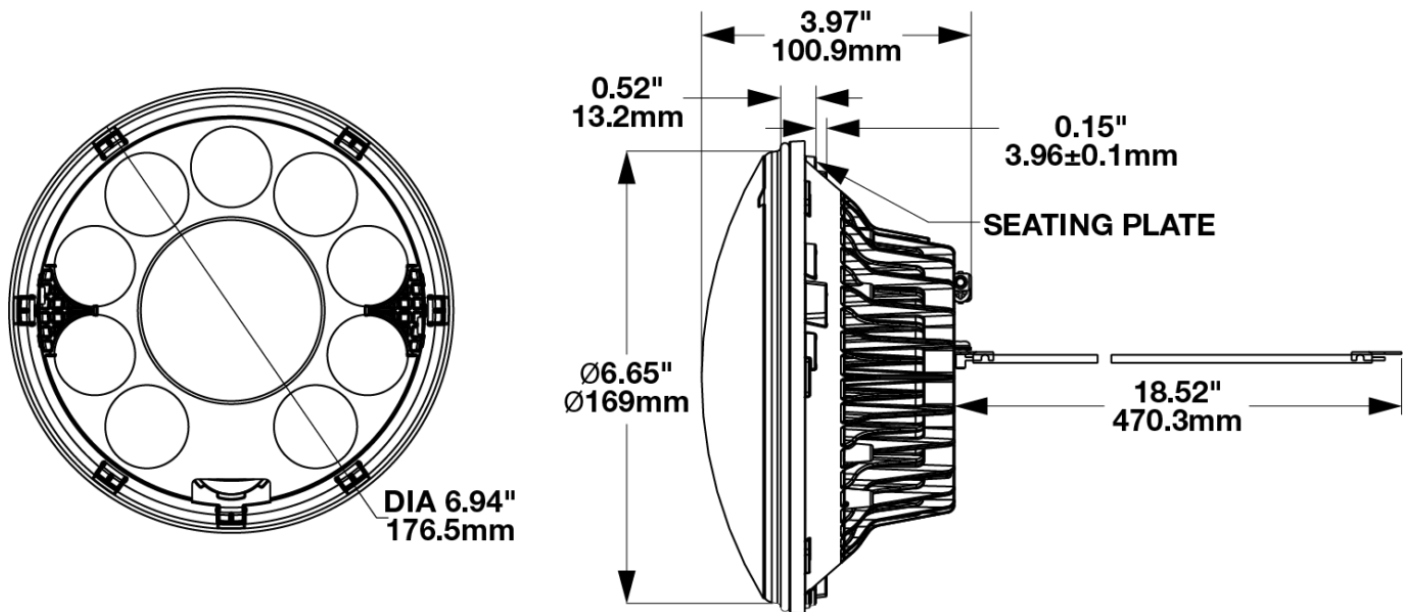
Print date: 2026-04-28

© 2026 J.W. Speaker Corporation • Germantown, WI U.S.A.
www.jwspeaker.com • speaker@jwspeaker.com • 262.251.6660

J.W. SPEAKER 
Engineered. Lighting. Solutions.

LED Headlight - Model 8770 Locomotive

PRODUCT DIMENSIONS



ELECTRICAL SPECIFICATIONS

Input Voltage	24-110V DC
Operating Voltage	18-130V DC
Transient Spike Protection	330V Peak @ 1 HZ-100 Pulses
Current Draw	3.20A @ 24V DC (High Output) 1.20A @ 75V DC (High Output) 0.85A @ 110V DC (High Output) 2.60A @ 24V DC (Low Output) 0.85A @ 75V DC (Low Output) 0.75A @ 110V DC (Low Output)

Print date: 2026-04-28

© 2026 J.W. Speaker Corporation • Germantown, WI U.S.A.
www.jwspeaker.com • speaker@jwspeaker.com • 262.251.6660

LED Headlight - Model 8770 Locomotive

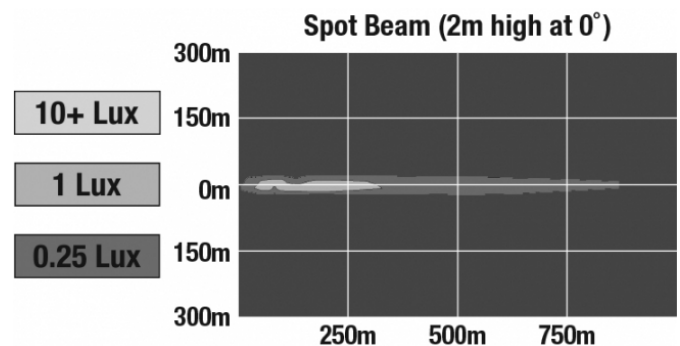
REGULATORY STANDARDS COMPLIANCE



Buy America Standards Eco Friendly
 FRA Title 49 CFR 229.125 (a) FRA Title 49 CFR 229.125 (b)
 FRA Title 49 CFR 229.125 (d) IEC IP66
 (2)

PHOTOMETRIC SPECIFICATIONS

Raw Lumen Output High: 3,450, Low: 640
Effective Lumen Output High: 2,600, Low: 260
Candela Output High: 215,000, Low: 21,500
Beam Pattern(s) Forward Lighting - Spot



PRODUCT WARNINGS

For California residents:

⚠ **WARNING:** Cancer and reproductive harm - www.P65Warnings.ca.gov.

⚠ **AVERTISSEMENT:** Cancer et effet nocif sur la reproduction - www.P65Warnings.ca.gov.

Print date: 2026-04-28

© 2026 J.W. Speaker Corporation • Germantown, WI U.S.A.
www.jwspeaker.com • speaker@jwspeaker.com • 262.251.6660

LED Headlight - Model 8770 Locomotive

ACCESSORIES



Part Number
8201111

Black Polycarbonate
Bucket for 7" Round
(PAR56) Headlight

LED Headlight - Model 8770 Locomotive

RELATED PRODUCTS



Part Number
0551901
24-110V LED
Locomotive Headlight
with Spot Beam
Pattern & Heated Lens



Part Number
0554601
24-110V LED
Locomotive Headlight
with Spot Beam
Pattern



Part Number
0555711
24-110V LED
Locomotive Headlight
with Cool White leds.
AU & ROW use



Part Number
0556571
24-110V LED
Locomotive Headlight
with Cool White leds &
Heated Lens. AU &
ROW use.



Part Number
0561031
24-110V LED
Locomotive Headlight
with Warm White Spot
Beam Pattern &
Heated Lens



Part Number
0561041
24-110V LED
Locomotive Headlight
with Warm White leds
and Heated Lens with
no EOL. AU & ROW use



Part Number
0561061
24-110V LED
Locomotive Headlight
with Warm White Spot
Beam Pattern