

# LED Headlight - Model 8770 Locomotive

## PRODUCT INFORMATION

<b>Description</b>	24-110V LED Locomotive Headlight with Cool White leds & Heated Lens. AU & ROW use.
<b>Height</b>	170.00 mm / 6.69 in
<b>Width</b>	170.00 mm / 6.69 in
<b>Depth</b>	103.00 mm / 4.06 in
<b>Shape</b>	Round
<b>Outer Lens Material</b>	Polycarbonate
<b>Outer Lens Color</b>	Clear
<b>Housing Material</b>	Aluminum
<b>Housing Color</b>	Gray
<b>Bezel Color</b>	Black
<b>Mounting Type</b>	Panel
<b>Retrofits</b>	2D1 "PAR56" or 7" Round Headlights
<b>Minimum Operating Temperature</b>	-40 °C / -40 °F
<b>Maximum Operating Temperature</b>	65 °C / 149 °F
<b>Connector or Wiring</b>	Standard Sealed Beam Style Screw Terminals
<b>Product Weight</b>	2.60 lbs / 1.18 kgs
<b>Shipping Weight</b>	3.10 lbs / 1.41 kgs
<b>Additional Information</b>	EN 55011: 2007 IEC 61000-4-5: 2014 EN 61000-4-3 EN 61000-4-4: 2012 EN 50155_2007 Additional Transient: 1500V chassis to ground short protection



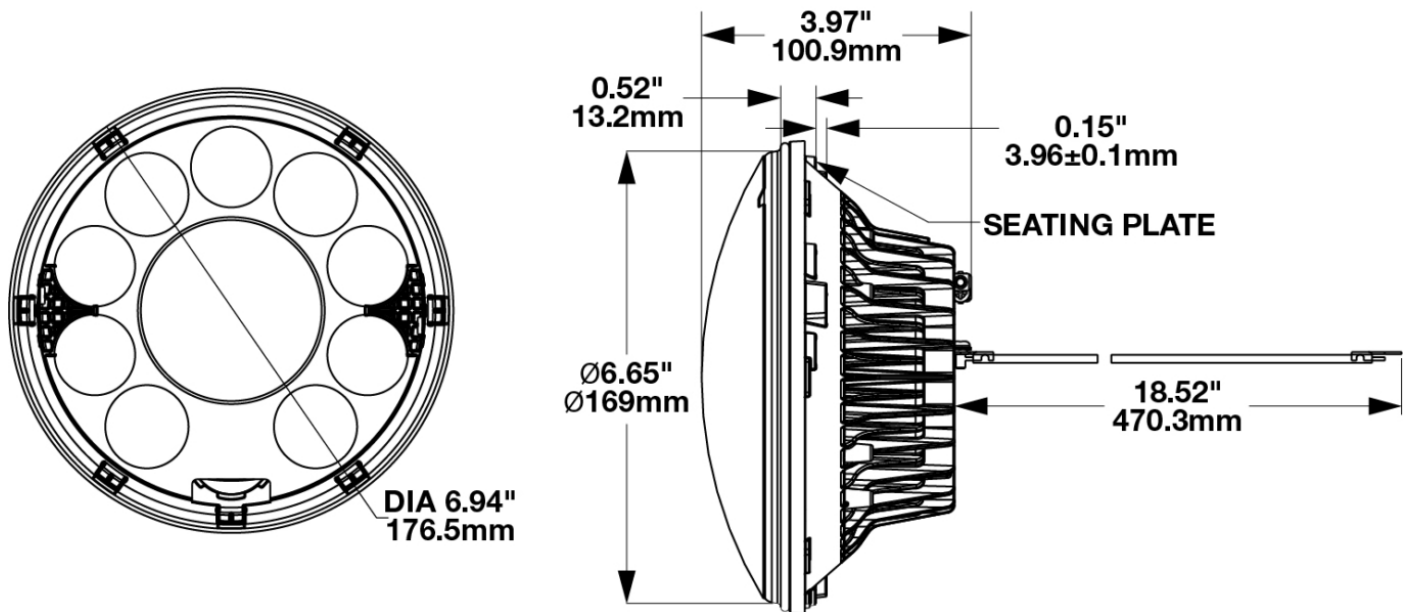
**Print date: 2026-04-26**

© 2026 J.W. Speaker Corporation • Germantown, WI U.S.A.  
www.jwspeaker.com • speaker@jwspeaker.com • 262.251.6660

**J.W. SPEAKER**   
Engineered. Lighting. Solutions.

# LED Headlight - Model 8770 Locomotive

## PRODUCT DIMENSIONS



## ELECTRICAL SPECIFICATIONS

<b>Input Voltage</b>	24-110V DC
<b>Operating Voltage</b>	18-130V DC
<b>Transient Spike Protection</b>	330V Peak @ 1 HZ-100 Pulses
<b>Current Draw</b>	3.20A @ 24V DC (High Output) 1.20A @ 75V DC (High Output) 0.85A @ 110V DC (High Output) 2.60A @ 24V DC (Low Output) 0.85A @ 75V DC (Low Output) 0.75A @ 110V DC (Low Output)

Print date: 2026-04-26

© 2026 J.W. Speaker Corporation • Germantown, WI U.S.A.  
www.jwspeaker.com • speaker@jwspeaker.com • 262.251.6660

# LED Headlight - Model 8770 Locomotive

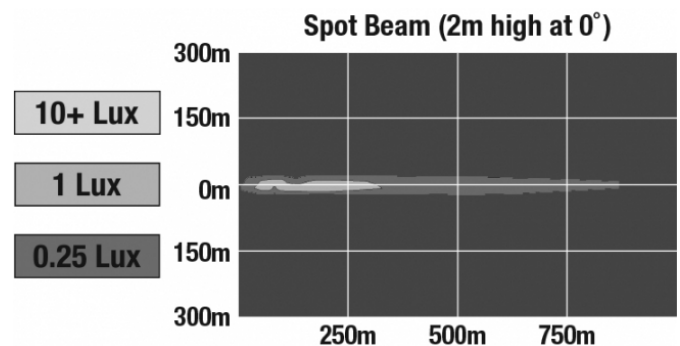
## REGULATORY STANDARDS COMPLIANCE



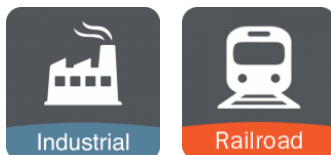
Buy America Standards      Eco Friendly  
 FRA Title 49 CFR 229.125 (a)      FRA Title 49 CFR 229.125 (b)  
 FRA Title 49 CFR 229.125 (d)      IEC IP66  
 (2)

## PHOTOMETRIC SPECIFICATIONS

**Raw Lumen Output**      2,200  
**Effective Lumen Output**      1,800  
**Candela Output**      230,000  
**Nominal LED Color Temperature**      5000 K  
**Beam Pattern(s)**      Forward Lighting - Spot



## APPLICATIONS



## PRODUCT WARNINGS

For California residents:

⚠ **WARNING:** Cancer and reproductive harm - [www.P65Warnings.ca.gov](http://www.P65Warnings.ca.gov).

⚠ **AVERTISSEMENT:** Cancer et effet nocif sur la reproduction - [www.P65Warnings.ca.gov](http://www.P65Warnings.ca.gov).

Print date: 2026-04-26

© 2026 J.W. Speaker Corporation • Germantown, WI U.S.A.  
[www.jwspeaker.com](http://www.jwspeaker.com) • [speaker@jwspeaker.com](mailto:speaker@jwspeaker.com) • 262.251.6660

# LED Headlight - Model 8770 Locomotive

## ACCESSORIES

---



**Part Number**  
**8201111**

Black Polycarbonate  
Bucket for 7" Round  
(PAR56) Headlight

# LED Headlight - Model 8770 Locomotive

## RELATED PRODUCTS

---



**Part Number**  
**0551901**  
24-110V LED  
Locomotive Headlight  
with Spot Beam  
Pattern & Heated Lens



**Part Number**  
**0554601**  
24-110V LED  
Locomotive Headlight  
with Spot Beam  
Pattern



**Part Number**  
**0555711**  
24-110V LED  
Locomotive Headlight  
with Cool White leds.  
AU & ROW use



**Part Number**  
**0561031**  
24-110V LED  
Locomotive Headlight  
with Warm White Spot  
Beam Pattern &  
Heated Lens



**Part Number**  
**0561041**  
24-110V LED  
Locomotive Headlight  
with Warm White leds  
and Heated Lens with  
no EOL. AU & ROW use



**Part Number**  
**0561051**  
24-110V LED  
Locomotive Headlight  
with Warm White leds  
with no EOL. AU &  
ROW use



**Part Number**  
**0561061**  
24-110V LED  
Locomotive Headlight  
with Warm White Spot  
Beam Pattern