

# LED Headlights - Model 8730 Shallow 7" Round

## PRODUCT INFORMATION

<b>Description</b>	12-24V LED High & Low Beam Heated Shallow 7" Round Headlight with Black Inner Bezel - 2 Light Kit
<b>Height</b>	176.50 mm / 6.95 in
<b>Width</b>	176.50 mm / 6.95 in
<b>Depth</b>	75.00 mm / 2.95 in
<b>Shape</b>	Round
<b>Outer Lens Material</b>	Polycarbonate
<b>Outer Lens Color</b>	Clear
<b>Housing Material</b>	Aluminum
<b>Housing Color</b>	Black
<b>Bezel Color</b>	Black
<b>Retrofits</b>	2D1 "PAR56" or 7" round headlights
<b>Connector or Wiring</b>	H4
<b>Mating Connector</b>	H4 AMP#172615-2
<b>Product Weight</b>	3.67 lbs / 1.66 kgs
<b>Shipping Weight</b>	5.40 lbs / 2.45 kgs



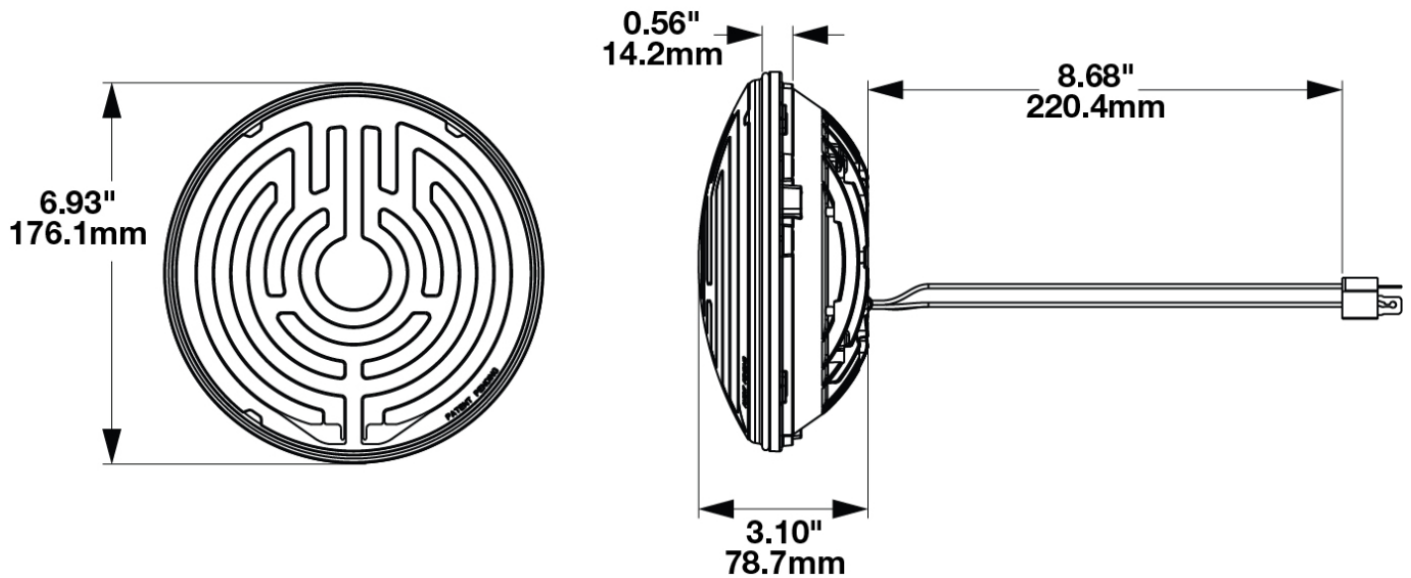
**Print date: 2024-11-08**

© 2024 J.W. Speaker Corporation • Germantown, WI U.S.A.  
[www.jwspeaker.com](http://www.jwspeaker.com) • [speaker@jwspeaker.com](mailto:speaker@jwspeaker.com) • 262.251.6660

**J.W. SPEAKER**   
 Engineered. Lighting. Solutions.

# LED Headlights - Model 8730 Shallow 7" Round

## PRODUCT DIMENSIONS



## ELECTRICAL SPECIFICATIONS

<b>Input Voltage</b>	12-24V DC
<b>Operating Voltage</b>	9-30V DC
<b>Transient Spike Protection</b>	150V Peak @ 1 HZ-100 Pulses
<b>Black Wire</b>	Ground
<b>Yellow Wire</b>	Low Beam
<b>White Wire</b>	High Beam
<b>Current Draw</b>	2.25A @ 12V DC (Low Beam)
	2.75A @ 12V DC (High Beam)
	1.00A @ 24V DC (Low Beam)
	1.25A @ 24V DC (High Beam)
	2.25A @ 12V DC (Low Beam w/Heat)
	5.25A @ 12V DC (High Beam w/Heat)
	4.25A @ 24V DC (Low Beam w/Heat)
	2.5A @ 24V DC (High Beam w/Heat)

Print date: 2024-11-08

© 2024 J.W. Speaker Corporation • Germantown, WI U.S.A.  
 www.jwspeaker.com • speaker@jwspeaker.com • 262.251.6660

# LED Headlights - Model 8730 Shallow 7" Round

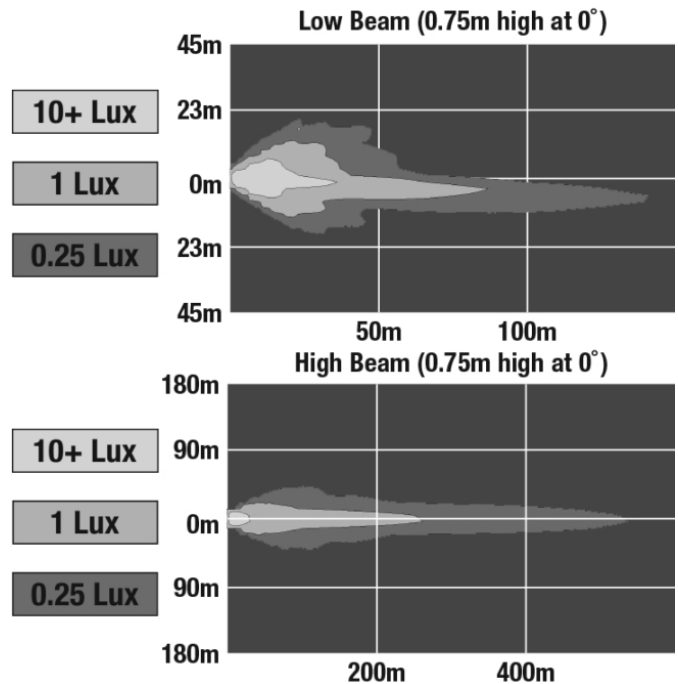
## REGULATORY STANDARDS COMPLIANCE



FMVSS 108 s10.1 (Table XIX)	FMVSS 108 s10.1 (Table XVIII)
IEC IP69K	SAE J1113-13
SAE J1113-21	SAE J1113-4
Tested to ECE Reg. 10 (Radiated Emissions only)	

## PHOTOMETRIC SPECIFICATIONS

<b>Raw Lumen Output</b>	3547 (High Beam); 2,800 (Low Beam)
<b>Effective Lumen Output</b>	1400 (High Beam); 925 (Low Beam)
<b>Candela Output</b>	62,100 (High Beam); 20,500 (Low Beam)
<b>Nominal LED Color Temperature</b>	5000 K
<b>Beam Pattern(s)</b>	Forward Lighting - High Beam (DOT) Forward Lighting - Low Beam (DOT)



Print date: 2024-11-08

© 2024 J.W. Speaker Corporation • Germantown, WI U.S.A.  
[www.jwspeaker.com](http://www.jwspeaker.com) • [speaker@jwspeaker.com](mailto:speaker@jwspeaker.com) • 262.251.6660

# LED Headlights - Model 8730 Shallow 7" Round

## APPLICATIONS

---



## PRODUCT WARNINGS

---

For California residents:

⚠ **WARNING:** Cancer and reproductive harm - [www.P65Warnings.ca.gov](http://www.P65Warnings.ca.gov).

⚠ **AVERTISSEMENT:** Cancer et effet nocif sur la reproduction - [www.P65Warnings.ca.gov](http://www.P65Warnings.ca.gov).

## ACCESSORIES

---



### **Part Number**

**8200791**

Thomas Built Bus  
7inch Headlight  
Mounting Kit

---

**Print date: 2024-11-08**

© 2024 J.W. Speaker Corporation • Germantown, WI U.S.A.  
[www.jwspeaker.com](http://www.jwspeaker.com) • [speaker@jwspeaker.com](mailto:speaker@jwspeaker.com) • 262.251.6660

# LED Headlights - Model 8730 Shallow 7" Round

## RELATED PRODUCTS

---



\*WHEN FACING THE VEHICLE

**Part Number**  
**0557423**

12-24V LED High & Low Beam Shallow 7" Round Headlight with Black Inner Bezel - 2 Light Kit



\*WHEN FACING THE VEHICLE

**Part Number**  
**0557463**

12-24V LED High & Low Beam Heated Shallow 7" Round Headlight with Chrome Bezel - 2 Light Kit



\*WHEN FACING THE VEHICLE

**Part Number**  
**0557493**

12-24V LED High & Low Beam Shallow 7" Round Headlight with Chrome Bezel - 2 Light Kit