

# LED Headlight – Model 8633 Evolution

## PRODUCT INFORMATION

<b>Description</b>	12/24V ECE LED LHT Heated Headlight w/ Turn Signal, DRL, & FP
<b>Height</b>	172.50 mm / 6.79 in
<b>Width</b>	143.50 mm / 5.65 in
<b>Depth</b>	88.20 mm / 3.47 in
<b>Shape</b>	Round
<b>Outer Lens Material</b>	Polycarbonate
<b>Outer Lens Color</b>	Clear
<b>Housing Material</b>	Aluminum
<b>Housing Color</b>	Black
<b>Bezel Color</b>	N/A
<b>Mounting Hardware Description</b>	(x1) 0.375"-16 x 1.5 Pedestal
<b>Mounting Type</b>	Pedestal
<b>Connector or Wiring</b>	Housing Integral connector: Aptiv 12124107
<b>Mating Connector</b>	Aptiv 12052848 JWS 5747010
<b>Product Weight</b>	2.40 lbs / 1.09 kgs
<b>Shipping Weight</b>	3.30 lbs / 1.5 kgs



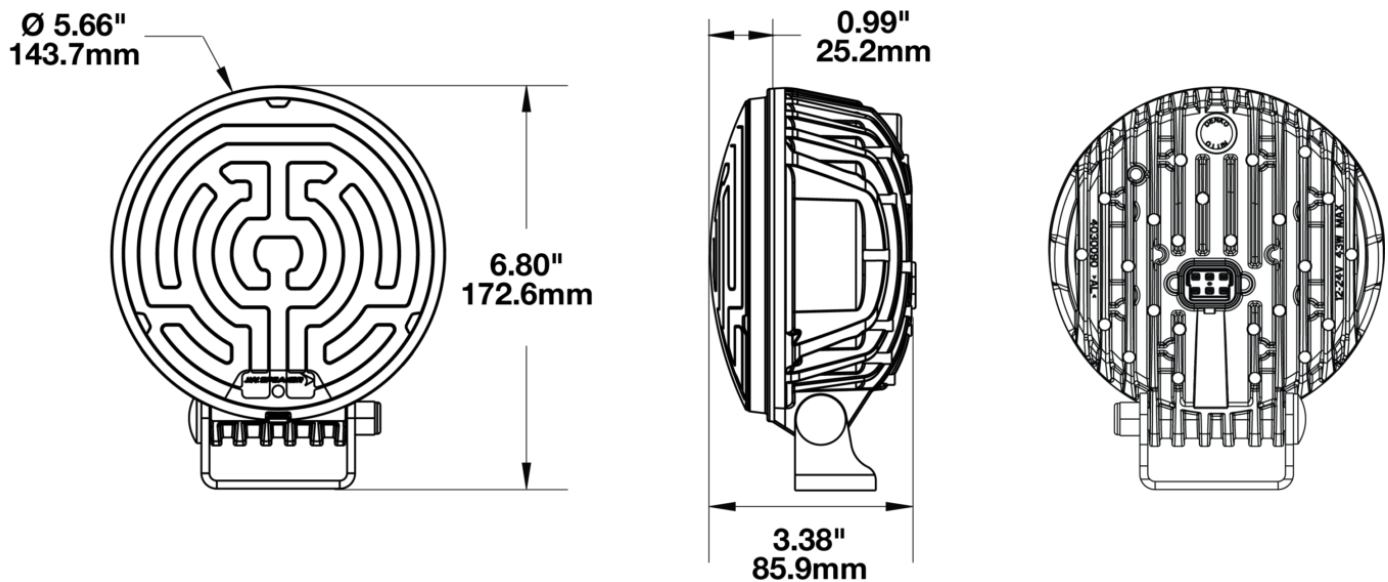
**Print date: 2026-04-29**

© 2026 J.W. Speaker Corporation • Germantown, WI U.S.A.  
 www.jwspeaker.com • speaker@jwspeaker.com • 262.251.6660

**J.W. SPEAKER**   
 Engineered. Lighting. Solutions.

# LED Headlight – Model 8633 Evolution

## PRODUCT DIMENSIONS



## ELECTRICAL SPECIFICATIONS

<b>Input Voltage</b>	12/24V DC
<b>Current Draw</b>	4.0A @ 13.5V DC (High Beam w/heater)
	3.5A @ 13.5V DC (Low Beam w/heater)
	2.8A @ 13.5V DC (DRL w/heater)
	2.4A @ 13.5V DC (Parking w/heater)
	0.8A @ 13.5V DC (Direction w/heater)
	2.0A @ 28V DC (High Beam w/heater)
	1.8A @ 28V DC (Low Beam w/heater)
	1.4A @ 28V DC (DRL w/heater)
	1.2A @ 28V DC (Parking w/heater)
	0.4A @ 28V DC (Direction w/heater)

Print date: 2026-04-29

© 2026 J.W. Speaker Corporation • Germantown, WI U.S.A.  
 www.jwspeaker.com • speaker@jwspeaker.com • 262.251.6660

# LED Headlight – Model 8633 Evolution

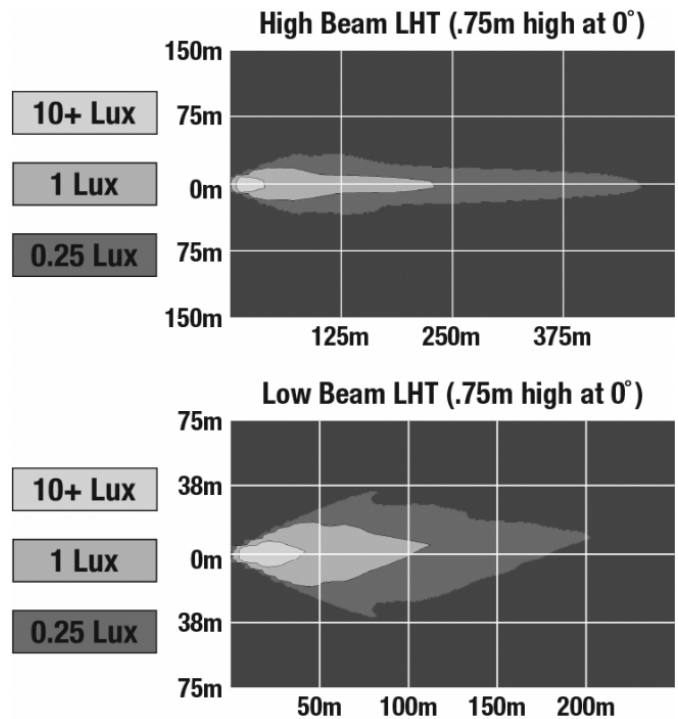
## REGULATORY STANDARDS COMPLIANCE



Buy America Standards	ECE Reg 10
ECE Reg 148 - 1b	ECE Reg 148 - A
ECE Reg 148 - RL	ECE Reg 149 - HC
ECE Reg 149 - HR	Eco Friendly
IEC IP67	IEC IP69K

## PHOTOMETRIC SPECIFICATIONS

<b>Raw Lumen Output</b>	2925 HB / 660 LB
<b>Effective Lumen Output</b>	1000 HB / 23000 LB
<b>Candela Output</b>	51000 HB / 23000 LB
<b>Nominal LED Color Temperature</b>	5665 K
<b>Beam Pattern(s)</b>	Forward Lighting - Daytime Running Light Forward Lighting - High Beam (ECE) Forward Lighting - Low Beam (ECE Left Hand) Signalization - Front Position Signalization - Marker Signalization - Turn (Front)



Print date: 2026-04-29

© 2026 J.W. Speaker Corporation • Germantown, WI U.S.A.  
www.jwspeaker.com • speaker@jwspeaker.com • 262.251.6660

# LED Headlight – Model 8633 Evolution

## APPLICATIONS

---



## PRODUCT WARNINGS

---

For California residents:

⚠ **WARNING:** Cancer and reproductive harm - [www.P65Warnings.ca.gov](http://www.P65Warnings.ca.gov).

⚠ **AVERTISSEMENT:** Cancer et effet nocif sur la reproduction - [www.P65Warnings.ca.gov](http://www.P65Warnings.ca.gov).

## ACCESSORIES

---



### **Part Number**

**3268991**

5 Function Wire  
Assembly for Model  
8633

# LED Headlight – Model 8633 Evolution

## RELATED PRODUCTS

---



**Part Number**  
**0561301**

12/24V DOT/ECE LED  
RHT Heated Headlight  
w/ Turn Signal, DRL, &  
FP (WIRE ASSEMBLY IS  
SOLD SEPARATELY)



**Part Number**  
**0561303**

12/24V DOT/ECE LED  
RHT Heated Headlight  
w/ Turn Signal, DRL, &  
FP - 2 Light Kit (NO  
WIRE ASSEMBLY)



**Part Number**  
**0561313**

12/24V ECE LED LHT  
Heated Headlight w/  
Turn Signal, DRL, & FP  
- 2 Light Kit (NO WIRE  
ASSEMBLY)