

Handheld Light Magnet Mount for Model 4416

PRODUCT INFORMATION

Description	Handheld Light Magnet Mount for Model 4416
Mounting Hardware Description	For retrofit onto 4416 Handheld Light
Product Weight	0.06 lbs / 0.03 kgs
Shipping Weight	1.00 lbs / 0.45 kgs

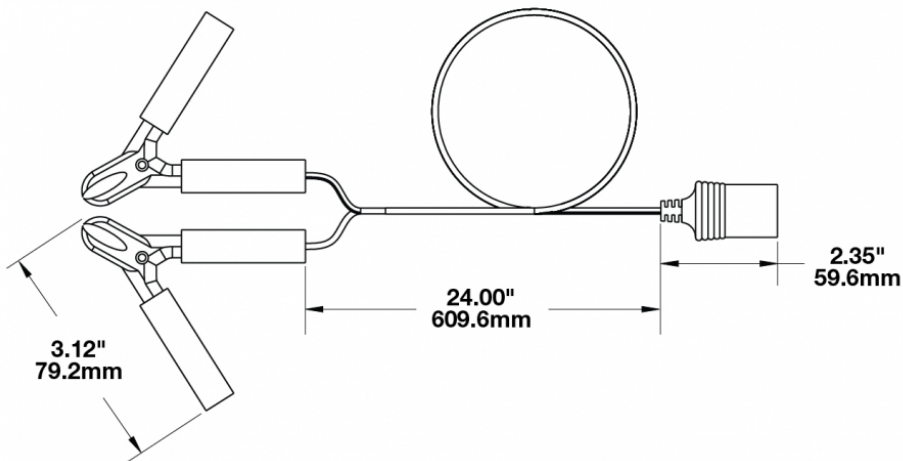
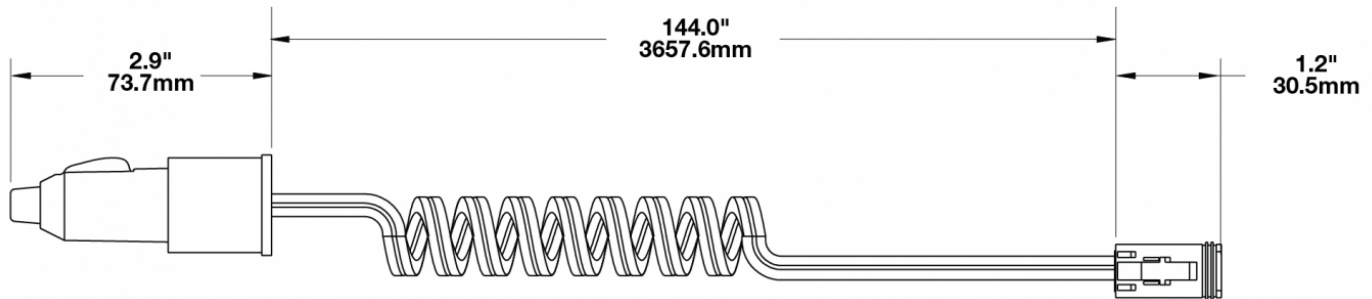
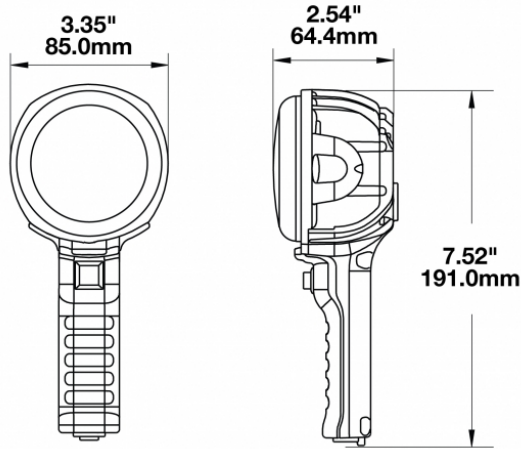


Print date: 2024-02-29

© 2024 J.W. Speaker Corporation • Germantown, WI U.S.A.
www.jwspeaker.com • speaker@jwspeaker.com • 262.251.6660

Handheld Light Magnet Mount for Model 4416

PRODUCT DIMENSIONS



Print date: 2024-02-29

© 2024 J.W. Speaker Corporation • Germantown, WI U.S.A.
www.jwspeaker.com • speaker@jwspeaker.com • 262.251.6660

Handheld Light Magnet Mount for Model 4416

REGULATORY STANDARDS COMPLIANCE



Buy America Standards

Eco Friendly

APPLICATIONS



PRODUCT WARNINGS

For California residents:

⚠ WARNING: Cancer and reproductive harm - www.P65Warnings.ca.gov.

⚠ AVERTISSEMENT: Cancer et effet nocif sur la reproduction - www.P65Warnings.ca.gov.

Print date: 2024-02-29

© 2024 J.W. Speaker Corporation • Germantown, WI U.S.A.
www.jwspeaker.com • speaker@jwspeaker.com • 262.251.6660

Handheld Light Magnet Mount for Model 4416

SUITS THESE PRODUCTS



**3.5" Round Portable
LED Hand Held
Work Light - Black
and Camouflage**

LED Handheld Work
Light - Model 4416