

# Trailer Hitch Wire Harness for Model 4416

## PRODUCT INFORMATION

---

<b>Description</b>	Trailer Hitch Wire Harness for Model 4416
<b>Connector or Wiring</b>	2-pin trailer harness to female 12V power port
<b>Product Weight</b>	0.20 lbs / 0.09 kgs
<b>Shipping Weight</b>	2.29 lbs / 1.04 kgs



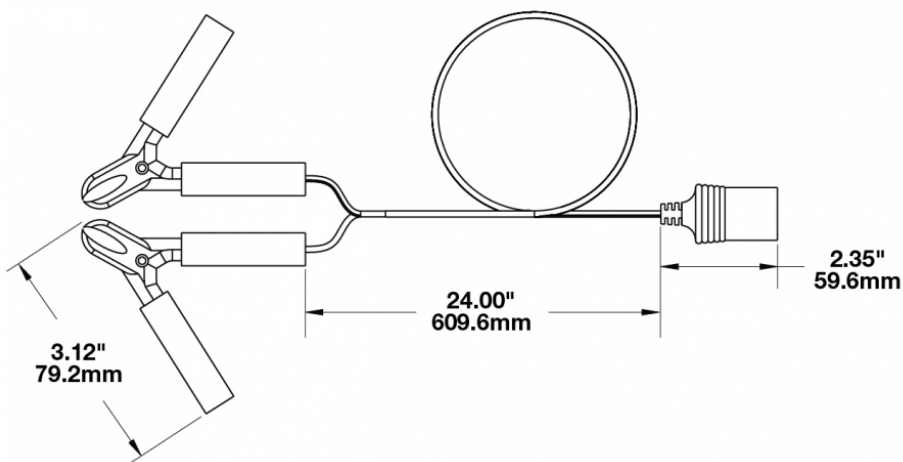
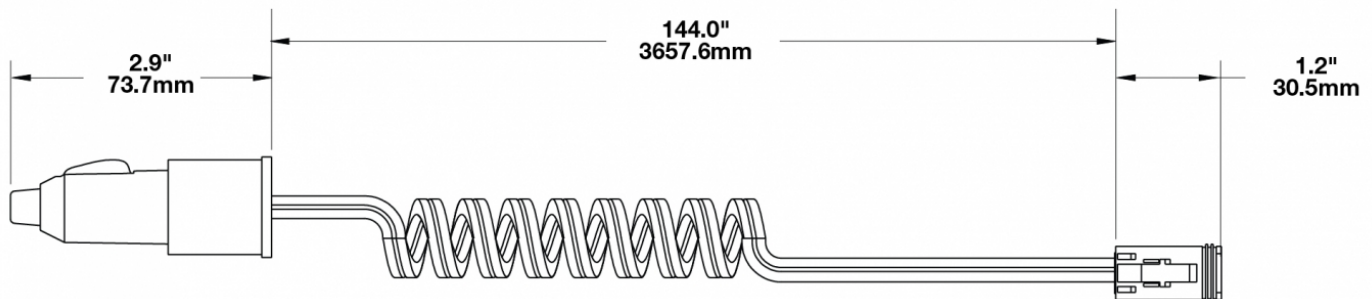
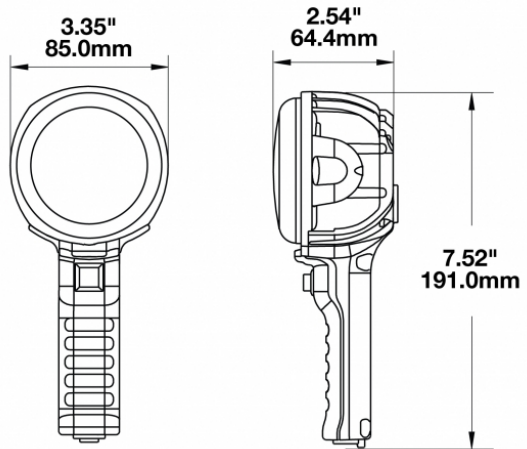
---

**Print date: 2026-06-08**

© 2026 J.W. Speaker Corporation • Germantown, WI U.S.A.  
www.jwspeaker.com • speaker@jwspeaker.com • 262.251.6660

# Trailer Hitch Wire Harness for Model 4416

## PRODUCT DIMENSIONS



Print date: 2026-06-08

© 2026 J.W. Speaker Corporation • Germantown, WI U.S.A.  
www.jwspeaker.com • speaker@jwspeaker.com • 262.251.6660

# Trailer Hitch Wire Harness for Model 4416

## REGULATORY STANDARDS COMPLIANCE

---



Buy America Standards

Eco Friendly

## APPLICATIONS

---



## PRODUCT WARNINGS

---

For California residents:

**⚠ WARNING:** Cancer and reproductive harm - [www.P65Warnings.ca.gov](http://www.P65Warnings.ca.gov).

**⚠ AVERTISSEMENT:** Cancer et effet nocif sur la reproduction - [www.P65Warnings.ca.gov](http://www.P65Warnings.ca.gov).

---

Print date: 2026-06-08

© 2026 J.W. Speaker Corporation • Germantown, WI U.S.A.  
www.jwspeaker.com • speaker@jwspeaker.com • 262.251.6660

# Trailer Hitch Wire Harness for Model 4416

## SUITS THESE PRODUCTS

---



**3.5" Round Portable  
LED Hand Held  
Work Light - Black  
and Camouflage**

LED Handheld Work  
Light - Model 4416