

# LED Handheld Work Light - Model 4416

## PRODUCT INFORMATION

---

<b>Description</b>	12V Camouflage Handheld Work Light with Spot Beam Pattern Kit
<b>Height</b>	191.00 mm / 7.52 in
<b>Width</b>	85.00 mm / 3.35 in
<b>Depth</b>	64.44 mm / 2.54 in
<b>Shape</b>	Round
<b>Outer Lens Material</b>	Polycarbonate
<b>Outer Lens Color</b>	Clear
<b>Housing Material</b>	Die-Cast Aluminum
<b>Housing Color</b>	Camo
<b>Mounting Hardware Description</b>	Handheld
<b>Connector or Wiring</b>	Deutsch DT04-2P-E008
<b>Product Weight</b>	0.93 lbs / 0.42 kgs
<b>Shipping Weight</b>	2.28 lbs / 1.03 kgs



MODEL  
**4416**

---

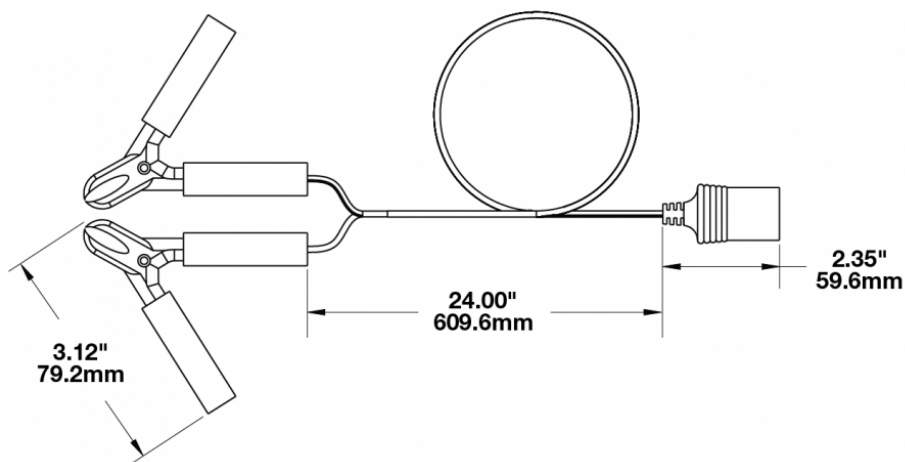
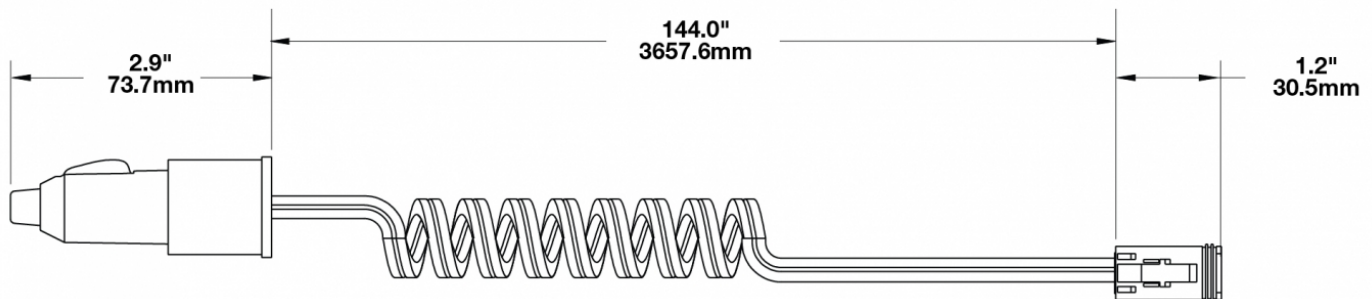
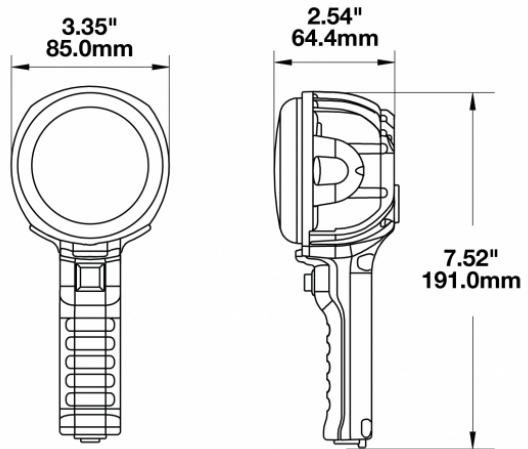
**Print date: 2026-05-06**

© 2026 J.W. Speaker Corporation • Germantown, WI U.S.A.  
www.jwspeaker.com • speaker@jwspeaker.com • 262.251.6660

**J.W. SPEAKER**   
Engineered. Lighting. Solutions.

# LED Handheld Work Light - Model 4416

## PRODUCT DIMENSIONS



Print date: 2026-05-06

© 2026 J.W. Speaker Corporation • Germantown, WI U.S.A.  
www.jwspeaker.com • speaker@jwspeaker.com • 262.251.6660

# LED Handheld Work Light - Model 4416

## ELECTRICAL SPECIFICATIONS

<b>Input Voltage</b>	12V DC
<b>Operating Voltage</b>	9-16V DC
<b>Red Wire</b>	Positive
<b>Black Wire</b>	Negative
<b>Current Draw</b>	2.20A @ 12V DC

## REGULATORY STANDARDS COMPLIANCE

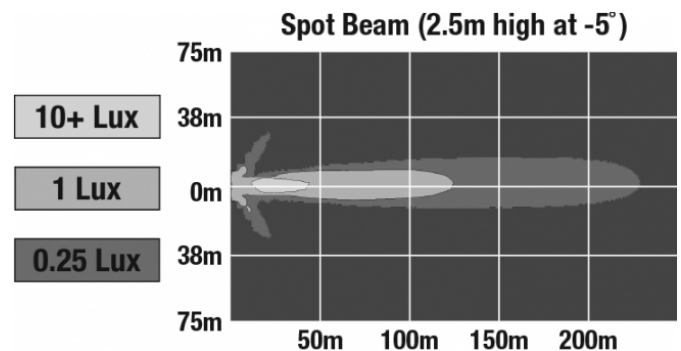


Buy America Standards

Eco Friendly

## PHOTOMETRIC SPECIFICATIONS

<b>Raw Lumen Output</b>	2,450
<b>Effective Lumen Output</b>	1,350
<b>Nominal LED Color Temperature</b>	5000 K
<b>Beam Pattern(s)</b>	Forward Lighting - Spot



Print date: 2026-05-06

© 2026 J.W. Speaker Corporation • Germantown, WI U.S.A.  
 www.jwspeaker.com • speaker@jwspeaker.com • 262.251.6660

# LED Handheld Work Light - Model 4416

## APPLICATIONS



## ADDITIONAL INFORMATION

Kit Includes:

- (1) Coiled power cord stretching up to 12 feet and plugs into your vehicle's cigarette lighter (12V)
- (1) Vehicle power adapter with battery clips
- (1) Convenient cotton carrying bag

## PRODUCT WARNINGS

For California residents:

- ⚠ **WARNING:** Cancer and reproductive harm - [www.P65Warnings.ca.gov](http://www.P65Warnings.ca.gov).
- ⚠ **AVERTISSEMENT:** Cancer et effet nocif sur la reproduction - [www.P65Warnings.ca.gov](http://www.P65Warnings.ca.gov).

## ACCESSORIES



**Part Number**  
**3270801**  
Trailer Hitch Wire  
Harness for Model  
4416



**Part Number**  
**7042881**  
Handheld Light  
Magnet Mount for  
Model 4416



**Part Number**  
**3269831**  
30' Power Cord with  
Battery Clips for Model  
4416

Print date: 2026-05-06

© 2026 J.W. Speaker Corporation • Germantown, WI U.S.A.  
[www.jwspeaker.com](http://www.jwspeaker.com) • [speaker@jwspeaker.com](mailto:speaker@jwspeaker.com) • 262.251.6660

# LED Handheld Work Light - Model 4416

## RELATED PRODUCTS

---



**Part Number**  
**0552841**

12V Black Handheld  
Work Light with Spot  
Beam Pattern Kit