

LED Handheld Work Light – Model 4416

PRODUCT INFORMATION

Description	12V Black Handheld Work Light with Spot Beam Pattern Kit
Height	191.00 mm / 7.52 in
Width	85.00 mm / 3.35 in
Depth	64.44 mm / 2.54 in
Shape	Round
Outer Lens Material	Polycarbonate
Outer Lens Color	Clear
Housing Material	Die-Cast Aluminum
Housing Color	Black
Mounting Hardware Description	Handheld
Connector or Wiring	Deutsch DT04-2P-E008
Product Weight	1.60 lbs / 0.73 kgs
Shipping Weight	2.10 lbs / 0.95 kgs



MODEL
4416

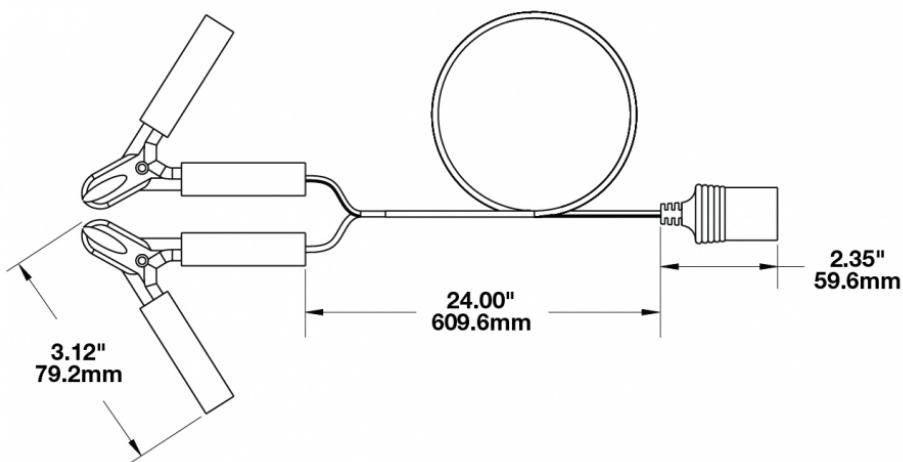
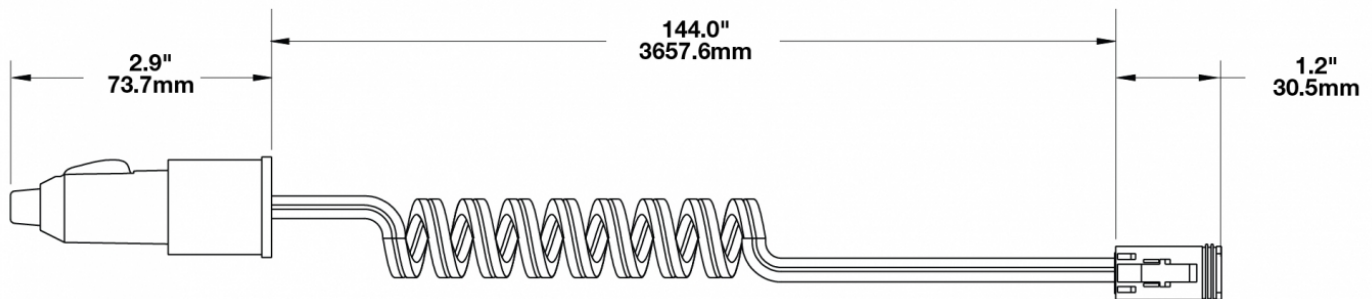
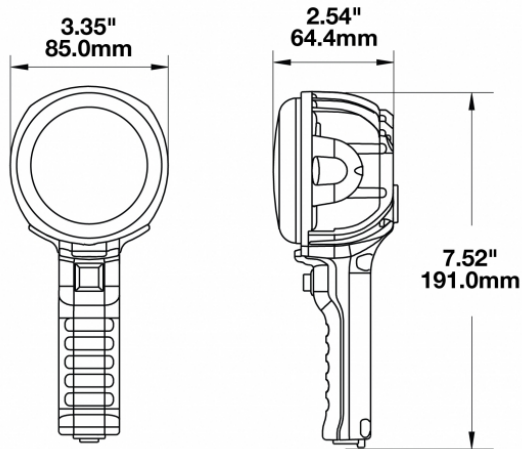
Print date: 2026-04-23

© 2026 J.W. Speaker Corporation • Germantown, WI U.S.A.
www.jwspeaker.com • speaker@jwspeaker.com • 262.251.6660

J.W. SPEAKER 
Engineered. Lighting. Solutions.

LED Handheld Work Light - Model 4416

PRODUCT DIMENSIONS



Print date: 2026-04-23

© 2026 J.W. Speaker Corporation • Germantown, WI U.S.A.
www.jwspeaker.com • speaker@jwspeaker.com • 262.251.6660

LED Handheld Work Light - Model 4416

ELECTRICAL SPECIFICATIONS

Input Voltage	12 V
Operating Voltage	9-16 V
Red Wire	Positive
Black Wire	Negative
Current Draw	2.20A @ 12V

REGULATORY STANDARDS COMPLIANCE

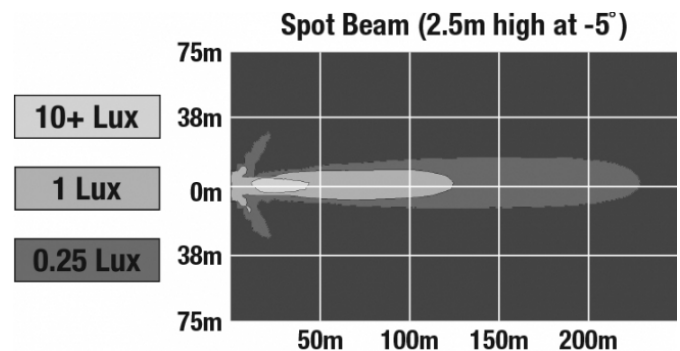


Buy America Standards

Eco Friendly

PHOTOMETRIC SPECIFICATIONS

Raw Lumen Output	2,450
Effective Lumen Output	1,350
Nominal LED Color Temperature	5000 K
Beam Pattern(s)	Forward Lighting - Spot



Print date: 2026-04-23

© 2026 J.W. Speaker Corporation • Germantown, WI U.S.A.
 www.jwspeaker.com • speaker@jwspeaker.com • 262.251.6660

LED Handheld Work Light - Model 4416

APPLICATIONS



ADDITIONAL INFORMATION

Kit Includes:

- (1) Coiled power cord stretching up to 12 feet and plugs into your vehicle's cigarette lighter (12V)
- (1) Vehicle power adapter with battery clips
- (1) Convenient cotton carrying bag

PRODUCT WARNINGS

For California residents:

- ⚠ **WARNING:** Cancer and reproductive harm - www.P65Warnings.ca.gov.
- ⚠ **AVERTISSEMENT:** Cancer et effet nocif sur la reproduction - www.P65Warnings.ca.gov.

ACCESSORIES



Part Number
3270801
Trailer Hitch Wire
Harness for Model
4416



Part Number
7042881
Handheld Light
Magnet Mount for
Model 4416



Part Number
3269831
30' Power Cord with
Battery Clips for Model
4416

Print date: 2026-04-23

© 2026 J.W. Speaker Corporation • Germantown, WI U.S.A.
www.jwspeaker.com • speaker@jwspeaker.com • 262.251.6660

LED Handheld Work Light - Model 4416

RELATED PRODUCTS



Part Number

0554251

12V Camouflage
Handheld Work Light
with Spot Beam
Pattern Kit