

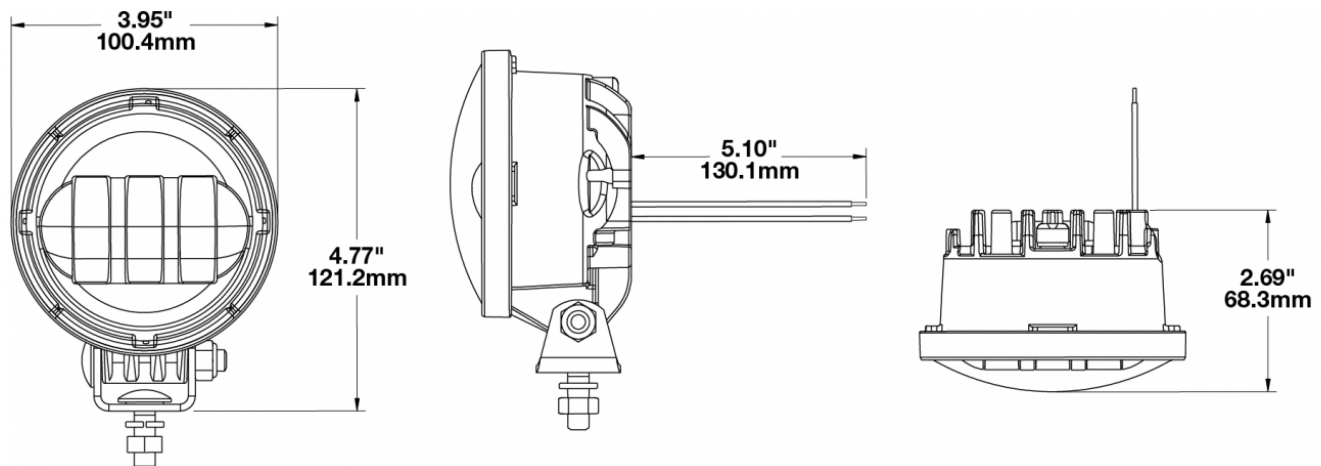
LED Fog Lights - Model 6150

PRODUCT INFORMATION

Description	12V SAE/ECE LED RHT & LHT Fog Light with Chrome Inner Bezel & Black Housing
Height	121.16 mm / 4.77 in
Width	100.33 mm / 3.95 in
Depth	68.33 mm / 2.69 in
Shape	Round
Outer Lens Material	Hardcoated Polycarbonate
Outer Lens Color	Clear
Housing Material	Die-Cast Aluminum
Housing Color	Black
Bezel Color	Chrome
Mounting Hardware Description	(x1) M8-1.25 x 25 SS Mounting Bolt
Mounting Type	Universal Pedestal Mount
Minimum Operating Temperature	-40 °C / -40 °F
Maximum Operating Temperature	65 °C / 149 °F
Shipping Weight	0.99 lbs / 0.45 kgs



PRODUCT DIMENSIONS



Print date: 2017-09-26

© 2017 J.W. Speaker Corporation • Germantown, WI U.S.A.
www.jwspeaker.com • speaker@jwspeaker.com • 262.251.6660

J.W. SPEAKER
 Engineered. Lighting. Solutions.

LED Fog Lights - Model 6150

ELECTRICAL SPECIFICATIONS

Input Voltage	12V DC
Operating Voltage	10-15V DC
Transient Spike Protection	150V Peak @ 1 HZ-100 Pulses
Red Wire	Positive
Black Wire	Negative
Current Draw	1.60A @ 12V DC

REGULATORY STANDARDS COMPLIANCE



Buy America Standards

Eco Friendly

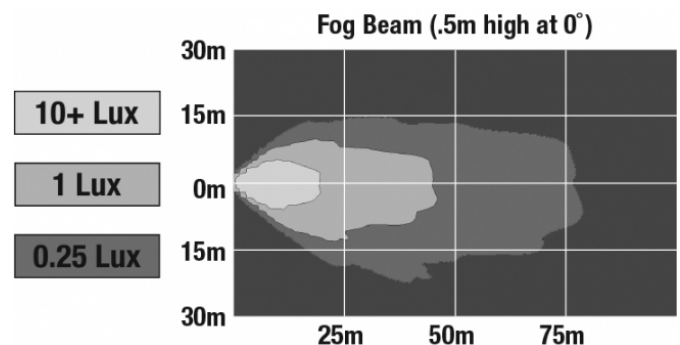
Tested to ECE Reg. 10
(Radiated Emissions only)

ECE Reg 19

SAE J583

PHOTOMETRIC SPECIFICATIONS

Raw Lumen Output	1,080
Effective Lumen Output	610
Nominal LED Color Temperature	5000 K
Beam Pattern(s)	Forward Lighting - Fog



Print date: 2017-09-26

© 2017 J.W. Speaker Corporation • Germantown, WI U.S.A.
www.jwspeaker.com • speaker@jwspeaker.com • 262.251.6660

LED Fog Lights - Model 6150

APPLICATIONS



RELATED PRODUCTS



Part Number
0547981

12V SAE/ECE LED RHT
& LHT Fog Light with
Black Inner Bezel &
Black Housing



Part Number
0548991

12V SAE/ECE LED RHT
& LHT Fog Light with
Chrome Inner Bezel &
Silver Housing

Print date: 2017-09-26

© 2017 J.W. Speaker Corporation • Germantown, WI U.S.A.
www.jwspeaker.com • speaker@jwspeaker.com • 262.251.6660