

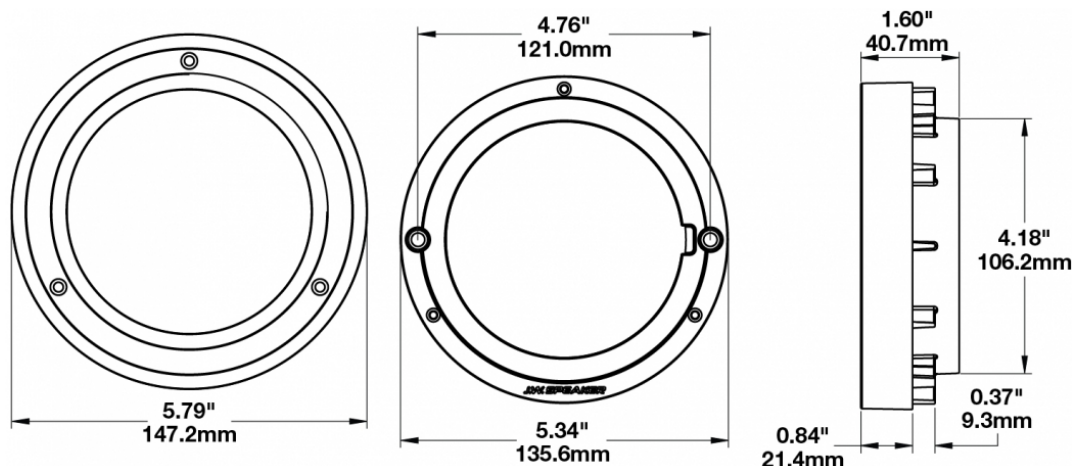
Mounting Assembly Adapter Kit for Fog Lights Model 6045

PRODUCT INFORMATION

Description	Mounting Assembly Adapter Kit for Fog Lights Model 6045
Height	101.60 mm / 4 in
Width	101.60 mm / 4 in
Shape	Round
Bezel Color	Chrome
Shipping Weight	1.30 lbs / 0.59 kgs



PRODUCT DIMENSIONS



Print date: 2026-06-12

© 2026 J.W. Speaker Corporation • Germantown, WI U.S.A.
www.jwspeaker.com • speaker@jwspeaker.com • 262.251.6660

Mounting Assembly Adapter Kit for Fog Lights Model 6045

REGULATORY STANDARDS COMPLIANCE



Buy America Standards

Eco Friendly

APPLICATIONS



ADDITIONAL INFORMATION

Mounting Assmebly includes:

- (2) Chrome bezels
- (6) #6 flat head stainless sheet metal screws
- (2) Adapter brackets
- (4) M5 socket head cap screws
- (8) M5 locknuts
- (4) 5mm washers
- (1) Instruction sheet

Note: This kit does not come with fog lamps - only the Mounting Assembly.

PRODUCT WARNINGS

For California residents:

⚠️ **WARNING:** Cancer and reproductive harm - www.P65Warnings.ca.gov.

⚠️ **AVERTISSEMENT:** Cancer et effet nocif sur la reproduction - www.P65Warnings.ca.gov.

Print date: 2026-06-12

© 2026 J.W. Speaker Corporation • Germantown, WI U.S.A.
www.jwspeaker.com • speaker@jwspeaker.com • 262.251.6660

J.W. SPEAKER 
Engineered. Lighting. Solutions.

Mounting Assembly Adapter Kit for Fog Lights Model 6045

SUITS THESE PRODUCTS



4" Round LED Fog Lights

LED Fog Lights - Model
6045

Print date: 2026-06-12

© 2026 J.W. Speaker Corporation • Germantown, WI U.S.A.
www.jwspeaker.com • speaker@jwspeaker.com • 262.251.6660