

LED Emergency & Warning Light - Model 8750

PRODUCT INFORMATION

Description	24V LED Amber Arrow Warning Light - Model 8750
Height	177.20 mm / 6.98 in
Width	177.20 mm / 6.98 in
Depth	108.60 mm / 4.28 in
Shape	Round
Outer Lens Material	Polycarbonate
Outer Lens Color	Amber
Housing Material	Glass Fill Polycarbonate
Housing Color	Black
Mounting Hardware Description	(x3) M6-1 x 26.5
Mounting Type	Panel
Minimum Operating Temperature	-45 °C / -49 °F
Maximum Operating Temperature	85 °C / 185 °F
Connector or Wiring	118mm Instrument Cable with Flying Leads
Product Weight	1.23 lbs / 0.56 kgs
Shipping Weight	1.50 lbs / 0.68 kgs
Additional Information	CE Ready IP67, IP69k



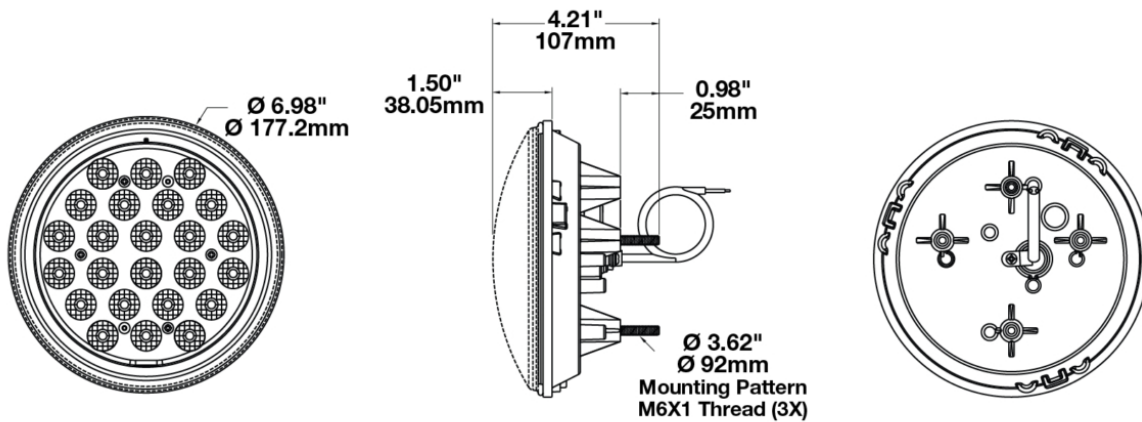
Print date: 2024-11-10

© 2024 J.W. Speaker Corporation • Germantown, WI U.S.A.
www.jwspeaker.com • speaker@jwspeaker.com • 262.251.6660

J.W. SPEAKER 
Engineered. Lighting. Solutions.

LED Emergency & Warning Light - Model 8750

PRODUCT DIMENSIONS



ELECTRICAL SPECIFICATIONS

Input Voltage	24 V
Red Wire	Power
Black Wire	Ground
Current Draw	0.80A @ 24V

REGULATORY STANDARDS COMPLIANCE



Buy America Standards

Eco Friendly

Print date: 2024-11-10

© 2024 J.W. Speaker Corporation • Germantown, WI U.S.A.
www.jwspeaker.com • speaker@jwspeaker.com • 262.251.6660

LED Emergency & Warning Light - Model 8750

PHOTOMETRIC SPECIFICATIONS

Raw Lumen Output	900
Effective Lumen Output	450
Candela Output	3000
Beam Pattern(s)	Warning - Flashing Warning

APPLICATIONS



PRODUCT WARNINGS

For California residents:

⚠ **WARNING:** Cancer and reproductive harm - www.P65Warnings.ca.gov.

⚠ **AVERTISSEMENT:** Cancer et effet nocif sur la reproduction - www.P65Warnings.ca.gov.

Print date: 2024-11-10

© 2024 J.W. Speaker Corporation • Germantown, WI U.S.A.
www.jwspeaker.com • speaker@jwspeaker.com • 262.251.6660