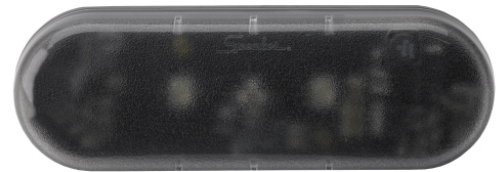


# LED Dome & Signal Lights - Model 412

## PRODUCT INFORMATION

---

<b>Description</b>	12-48V White LED Dome Light with Deutsch Connector, Switch & 60 Minute Timer
<b>Height</b>	57.15 mm / 2.25 in
<b>Width</b>	165.10 mm / 6.5 in
<b>Depth</b>	27.69 mm / 1.09 in
<b>Shape</b>	Rectangular
<b>Outer Lens Material</b>	Polycarbonate
<b>Outer Lens Color</b>	Clear
<b>Housing Material</b>	Polycarbonate
<b>Housing Color</b>	Black
<b>Mounting Hardware Description</b>	(x2) M4-0.7 x 16 Mounting Bolts
<b>Mounting Type</b>	Low Profile Mount
<b>Minimum Operating Temperature</b>	-40 °C / -40 °F
<b>Maximum Operating Temperature</b>	65 °C / 149 °F
<b>Connector or Wiring</b>	2-Pin Deutsch Socket (DT04-2P)
<b>Product Weight</b>	0.33 lbs / 0.15 kgs
<b>Shipping Weight</b>	1.20 lbs / 0.54 kgs



---

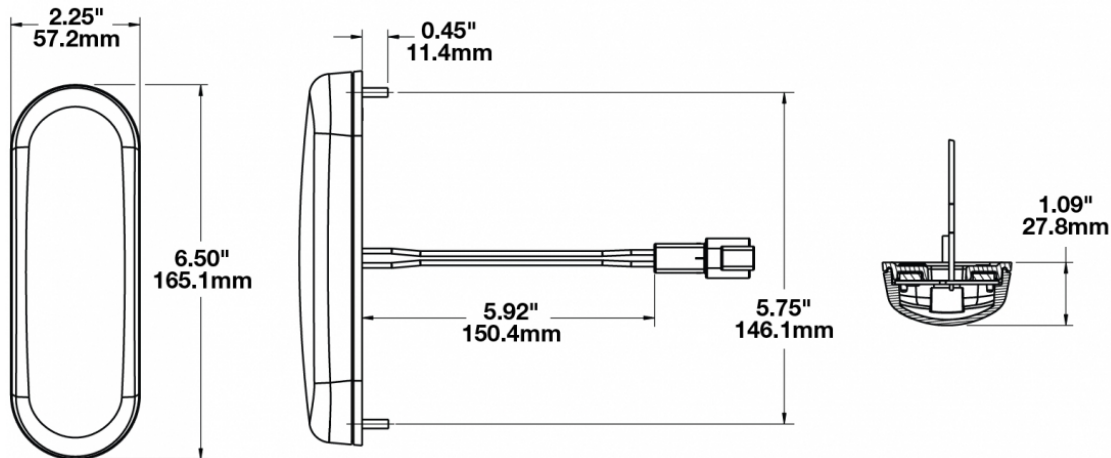
**Print date: 2018-11-18**

© 2018 J.W. Speaker Corporation • Germantown, WI U.S.A.  
www.jwspeaker.com • speaker@jwspeaker.com • 262.251.6660

**J.W. SPEAKER**   
Engineered. Lighting. Solutions.

# LED Dome & Signal Lights - Model 412

## PRODUCT DIMENSIONS



## ELECTRICAL SPECIFICATIONS

<b>Input Voltage</b>	12-48V DC
<b>Red Wire</b>	Positive
<b>Black Wire</b>	Negative
<b>Current Draw</b>	0.10A to 0.13A @ 12V DC 0.055A to 0.08A @ 24V DC 0.045A to 0.07A @ 36V DC 0.045A to 0.07A @ 48V DC

## REGULATORY STANDARDS COMPLIANCE



Buy America Standards  
IEC IP67

Eco Friendly  
UL Recognized

Print date: 2018-11-18

© 2018 J.W. Speaker Corporation • Germantown, WI U.S.A.  
www.jwspeaker.com • speaker@jwspeaker.com • 262.251.6660

**J.W. SPEAKER**  
Engineered. Lighting. Solutions.

# LED Dome & Signal Lights - Model 412

## PHOTOMETRIC SPECIFICATIONS

**Nominal LED Color Temperature** 5000 K  
**Beam Pattern(s)** Interior - Dome Light

## APPLICATIONS



## RELATED PRODUCTS



**Part Number**  
**0343121**  
12-48V ECE LED Front  
Position & Front Turn  
Signal Light



**Part Number**  
**0442511**  
12-24V White LED  
Dome Light with 7"  
Bare Leads, No Switch,  
No Timer



**Part Number**  
**0443011**  
12-48V White LED  
Dome Light with 7"  
Bare Leads & Switch,  
No Timer

Print date: 2018-11-18

© 2018 J.W. Speaker Corporation • Germantown, WI U.S.A.  
www.jwspeaker.com • speaker@jwspeaker.com • 262.251.6660