

LED Dome & Signal Lights - Model 412

PRODUCT INFORMATION

Description	12-48V ECE LED Front Position & Front Turn Signal Light
Height	165.10 mm / 6.5 in
Width	57.15 mm / 2.25 in
Depth	27.69 mm / 1.09 in
Shape	Rectangular
Outer Lens Material	Polycarbonate
Outer Lens Color	Clear
Housing Material	Polycarbonate
Housing Color	Black
Mounting Hardware Description	(x2) M4-0.7 x 16 Mounting Bolts
Mounting Type	Low Profile Mount
Minimum Operating Temperature	-40 °C / -40 °F
Maximum Operating Temperature	65 °C / 149 °F
Connector or Wiring	7" Bare Leads
Product Weight	0.33 lbs / 0.15 kgs
Shipping Weight	1.20 lbs / 0.54 kgs
Additional Information	Lamp conforms to IP67 when mounting bolts are torqued to 25 in-lb minimum.



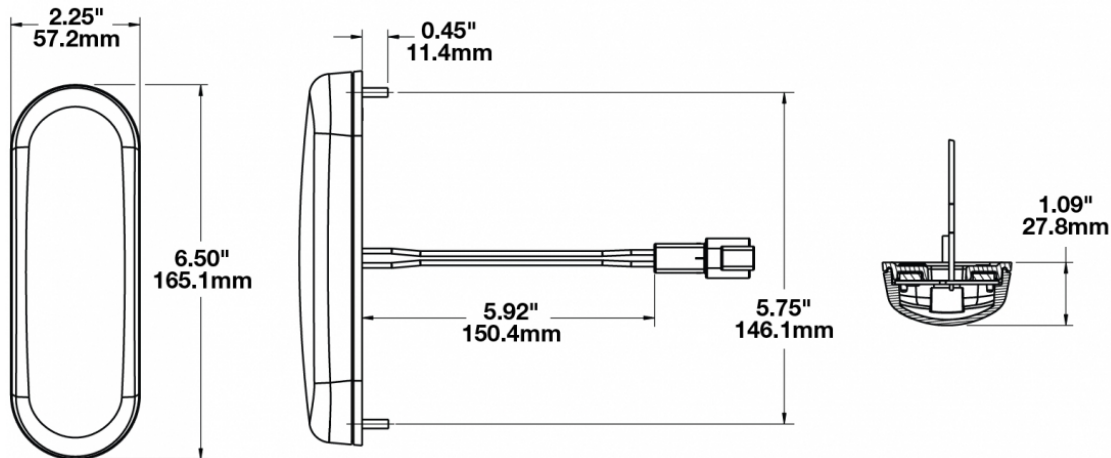
Print date: 2019-02-17

© 2019 J.W. Speaker Corporation • Germantown, WI U.S.A.
 www.jwspeaker.com • speaker@jwspeaker.com • 262.251.6660

J.W. SPEAKER
 Engineered. Lighting. Solutions.

LED Dome & Signal Lights - Model 412

PRODUCT DIMENSIONS



ELECTRICAL SPECIFICATIONS

Input Voltage	12-48V DC
Black Wire	Ground
White Wire	Position
Yellow Wire	Turn
Current Draw	0.21A @ 12V DC 0.104A @ 24V DC 0.07A @ 36V DC 0.082A @ 48V DC

REGULATORY STANDARDS COMPLIANCE



Buy America Standards
ECE Reg 7
IEC IP67

ECE Reg 6
Eco Friendly
UL Recognized

Print date: 2019-02-17

© 2019 J.W. Speaker Corporation • Germantown, WI U.S.A.
www.jwspeaker.com • speaker@jwspeaker.com • 262.251.6660

LED Dome & Signal Lights - Model 412

PHOTOMETRIC SPECIFICATIONS

Beam Pattern(s) Signalization - Front Position
 Signalization - Turn (Front)
 Signalization - Turn (Rear)

APPLICATIONS



RELATED PRODUCTS



Part Number
0442511

12-24V White LED
 Dome Light with 7"
 Bare Leads, No Switch,
 No Timer



Part Number
0443011

12-48V White LED
 Dome Light with 7"
 Bare Leads & Switch,
 No Timer



Part Number
0443301

12-48V White LED
 Dome Light with
 Deutsch Connector,
 Switch & 60 Minute
 Timer

Print date: 2019-02-17

© 2019 J.W. Speaker Corporation • Germantown, WI U.S.A.
 www.jwspeaker.com • speaker@jwspeaker.com • 262.251.6660