

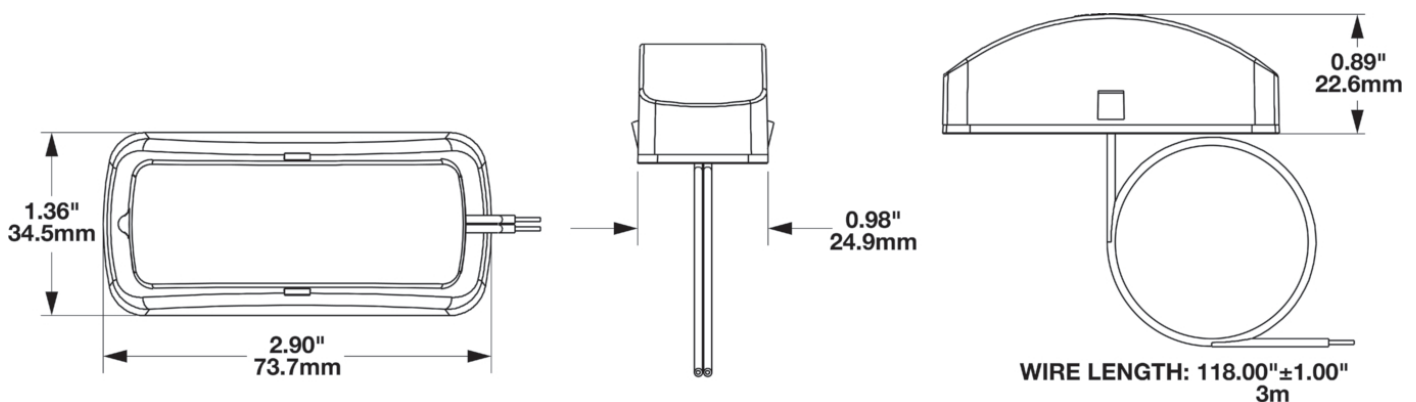
LED Dome & Marker Lights - Model 150

PRODUCT INFORMATION

Description	12-24V ECE/SAE Amber LED Side Marker Light with Mounting Assembly
Height	22.61 mm / 0.89 in
Width	64.01 mm / 2.52 in
Depth	24.64 mm / 0.97 in
Shape	Rectangular
Outer Lens Material	Acrylic
Outer Lens Color	Amber
Housing Material	ABS
Housing Color	Black
Mounting Type	Low Profile Mount
Minimum Operating Temperature	-40 °C / -40 °F
Maximum Operating Temperature	65 °C / 149 °F
Connector or Wiring	118" Bare Leads
Product Weight	0.16 lbs / 0.07 kgs
Shipping Weight	0.16 lbs / 0.07 kgs



PRODUCT DIMENSIONS



Print date: 2023-10-01

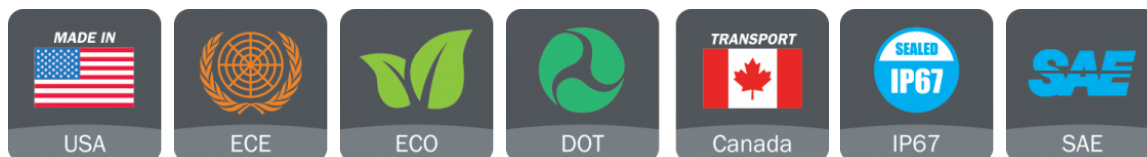
© 2023 J.W. Speaker Corporation • Germantown, WI U.S.A.
www.jwspeaker.com • speaker@jwspeaker.com • 262.251.6660

LED Dome & Marker Lights - Model 150

ELECTRICAL SPECIFICATIONS

Input Voltage	12-24V DC
Black Wire	Ground for Right Arrow
White Wire	Ground for Left Arrow
Red Wire	Positive
Current Draw	0.090 (Max)A @ 12V DC

REGULATORY STANDARDS COMPLIANCE



Buy America Standards	ECE Reg 91
Eco Friendly	FMVSS 108 s7.4 (Table X)
FMVSS 108 s7.5 (Table XI)	IEC IP67
SAE J592	

PHOTOMETRIC SPECIFICATIONS

Beam Pattern(s)	Signalization - Clearance
------------------------	---------------------------

APPLICATIONS



Print date: 2023-10-01

© 2023 J.W. Speaker Corporation • Germantown, WI U.S.A.
www.jwspeaker.com • speaker@jwspeaker.com • 262.251.6660

J.W. SPEAKER
Engineered. Lighting. Solutions.

LED Dome & Marker Lights - Model 150

PRODUCT WARNINGS

For California residents:

⚠ **WARNING:** Cancer and reproductive harm - www.P65Warnings.ca.gov.

⚠ **AVERTISSEMENT:** Cancer et effet nocif sur la reproduction - www.P65Warnings.ca.gov.

ACCESSORIES



Part Number

5856032

Replacement
Mounting Assembly for
Model 150 LED Lights

RELATED PRODUCTS



Part Number

0205321

12-24V ECE/SAE Red
LED Side Marker Light
with Mounting
Assembly



Part Number

0443051

12-24V Clear/White
LED Dome Light with
Mounting Assembly

Print date: 2023-10-01

© 2023 J.W. Speaker Corporation • Germantown, WI U.S.A.
www.jwspeaker.com • speaker@jwspeaker.com • 262.251.6660