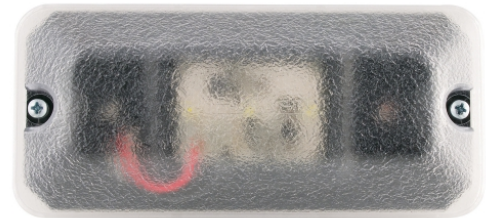


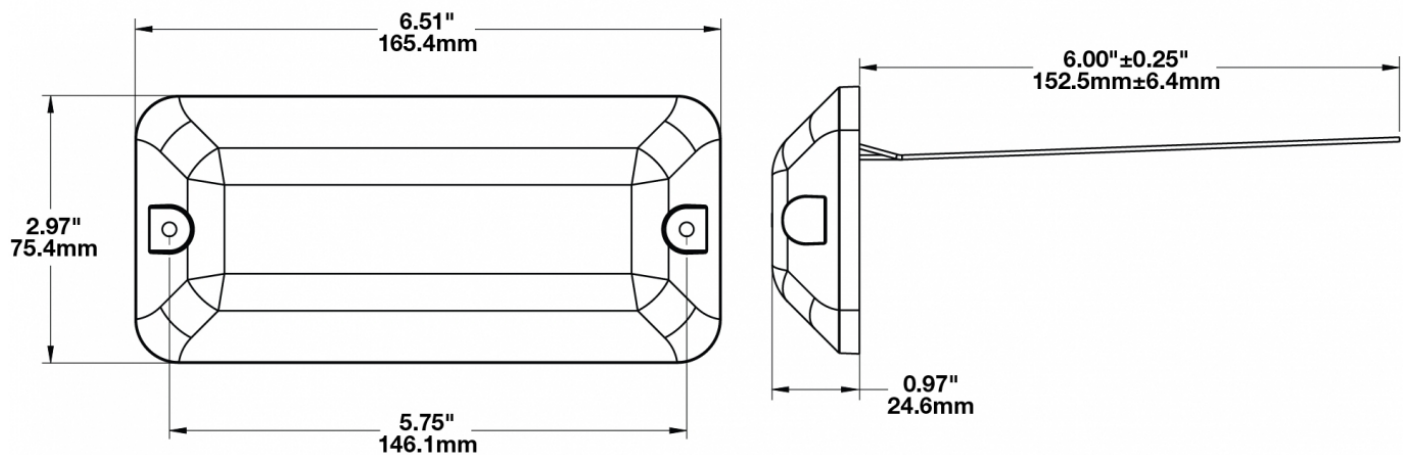
# LED Dome Lights - Model 410

## PRODUCT INFORMATION

<b>Description</b>	12-24V LED Dome Light
<b>Height</b>	75.44 mm / 2.97 in
<b>Width</b>	165.35 mm / 6.51 in
<b>Depth</b>	24.64 mm / 0.97 in
<b>Shape</b>	Rectangular
<b>Outer Lens Material</b>	Polycarbonate
<b>Outer Lens Color</b>	Clear
<b>Housing Material</b>	Polycarbonate
<b>Housing Color</b>	Black
<b>Mounting Hardware Description</b>	(x2) #8-32 x Phillips Taptite Mounting Screws
<b>Mounting Type</b>	Flush Mount
<b>Minimum Operating Temperature</b>	-40 °C / -40 °F
<b>Maximum Operating Temperature</b>	65 °C / 149 °F
<b>Connector or Wiring</b>	MOLEX P/N 190250004
<b>Mating Connector</b>	MOLEX P/N 190170014
<b>Product Weight</b>	0.21 lbs / 0.1 kgs



## PRODUCT DIMENSIONS



Print date: 2017-09-26

© 2017 J.W. Speaker Corporation • Germantown, WI U.S.A.  
 www.jwspeaker.com • speaker@jwspeaker.com • 262.251.6660

**J.W. SPEAKER**  
 Engineered. Lighting. Solutions.

# LED Dome Lights - Model 410

## ELECTRICAL SPECIFICATIONS

---

<b>Input Voltage</b>	12-24V DC
<b>Operating Voltage</b>	9-32V DC
<b>Transient Spike Protection</b>	150V Peak @ 1 HZ-100 Pulses
<b>Red Wire</b>	Positive
<b>Black Wire</b>	Negative
<b>Current Draw</b>	0.14A @ 12V DC 0.09A @ 24V DC

## REGULATORY STANDARDS COMPLIANCE

---



Buy America Standards  
Eco Friendly

ECE Reg 10  
Tested to ECE Reg. 10  
(Radiated Emissions only)

## PHOTOMETRIC SPECIFICATIONS

---

<b>Nominal LED Color Temperature</b>	5000 K
<b>Beam Pattern(s)</b>	Interior - Dome Light

Print date: 2017-09-26

© 2017 J.W. Speaker Corporation • Germantown, WI U.S.A.  
www.jwspeaker.com • speaker@jwspeaker.com • 262.251.6660

# LED Dome Lights - Model 410

## APPLICATIONS

---

