

LED Compact Work Light - Model 795

PRODUCT INFORMATION

Description	12-24V LED White Flood Work Light and Amber DI with Pedestal Mount
Height	79.44 mm / 3.13 in
Width	99.95 mm / 3.94 in
Depth	40.71 mm / 1.6 in
Shape	Rectangular
Outer Lens Material	Polycarbonate
Outer Lens Color	Clear
Housing Material	Aluminum
Housing Color	Black
Mounting Hardware Description	(x1) 5/16"-18 x 1.00" Mounting Bolt Bracket
Mounting Type	Pedestal
Minimum Operating Temperature	-40 °C / -40 °F
Maximum Operating Temperature	65 °C / 149 °F
Mating Connector	Deutsch DT06-3S
Product Weight	0.55 lbs / 0.25 kgs
Shipping Weight	9.39 lbs / 4.26 kgs



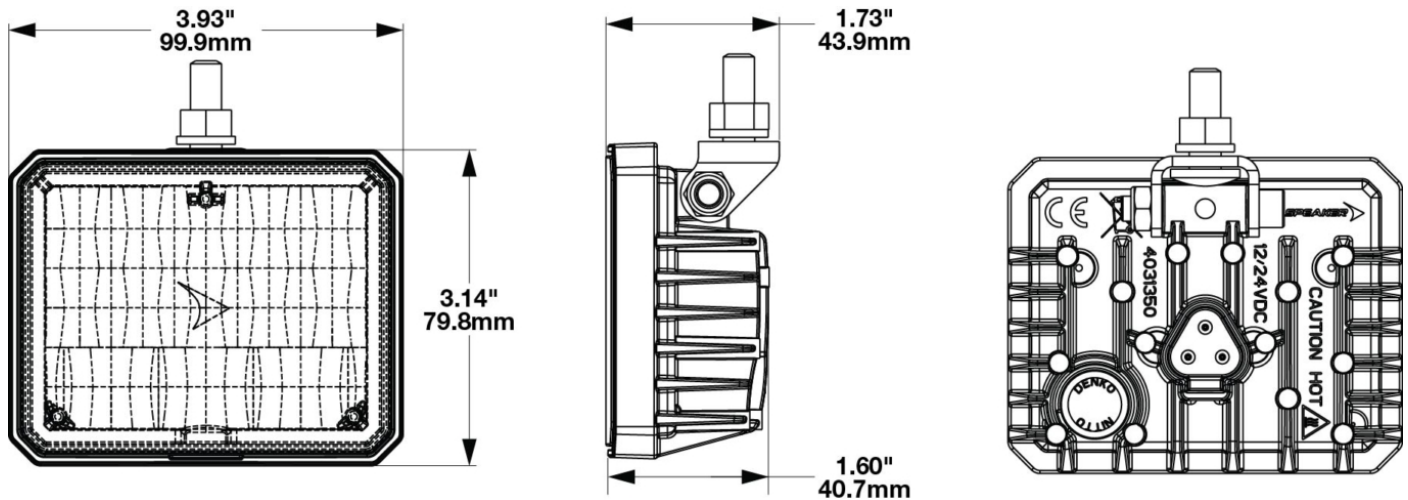
Print date: 2024-11-10

© 2024 J.W. Speaker Corporation • Germantown, WI U.S.A.
www.jwspeaker.com • speaker@jwspeaker.com • 262.251.6660

J.W. SPEAKER 
Engineered. Lighting. Solutions.

LED Compact Work Light - Model 795

PRODUCT DIMENSIONS



ELECTRICAL SPECIFICATIONS

Input Voltage	12-24V DC
Operating Voltage	9-30V DC
Current Draw	2.30A @ 12V DC (Flood) 0.19A @ 12V DC (DI) 1.10A @ 24V DC (Flood) 0.20A @ 24V DC (DI)

REGULATORY STANDARDS COMPLIANCE



CE Recognized
IEC IP67

ECE Reg 148 - 1
IEC IP69K

Print date: 2024-11-10

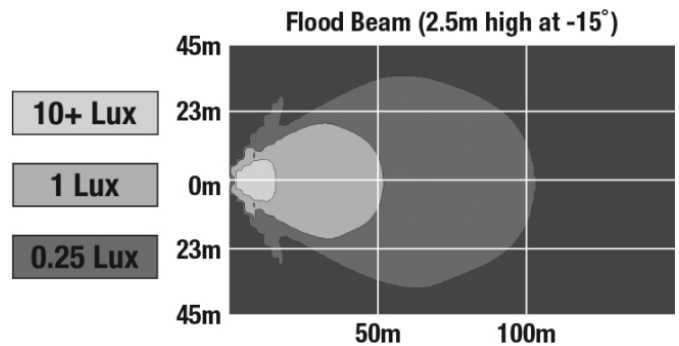
© 2024 J.W. Speaker Corporation • Germantown, WI U.S.A.
www.jwspeaker.com • speaker@jwspeaker.com • 262.251.6660

J.W. SPEAKER
Engineered. Lighting. Solutions.

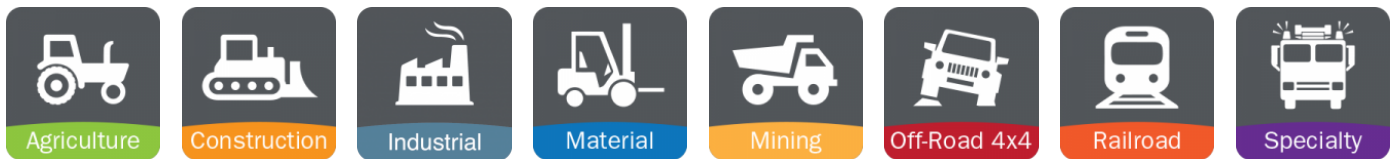
LED Compact Work Light - Model 795

PHOTOMETRIC SPECIFICATIONS

Raw Lumen Output	3540
Effective Lumen Output	1980
Candela Output	3300
Nominal LED Color Temperature	5050 K
Beam Pattern(s)	Forward Lighting - Flood (Standard) Signalization - Turn (Front) Signalization - Turn (Rear)



APPLICATIONS



PRODUCT WARNINGS

For California residents:

⚠ **WARNING:** Cancer and reproductive harm - www.P65Warnings.ca.gov.

⚠ **AVERTISSEMENT:** Cancer et effet nocif sur la reproduction - www.P65Warnings.ca.gov.

Print date: 2024-11-10

© 2024 J.W. Speaker Corporation • Germantown, WI U.S.A.
www.jwspeaker.com • speaker@jwspeaker.com • 262.251.6660

J.W. SPEAKER
Engineered. Lighting. Solutions.