

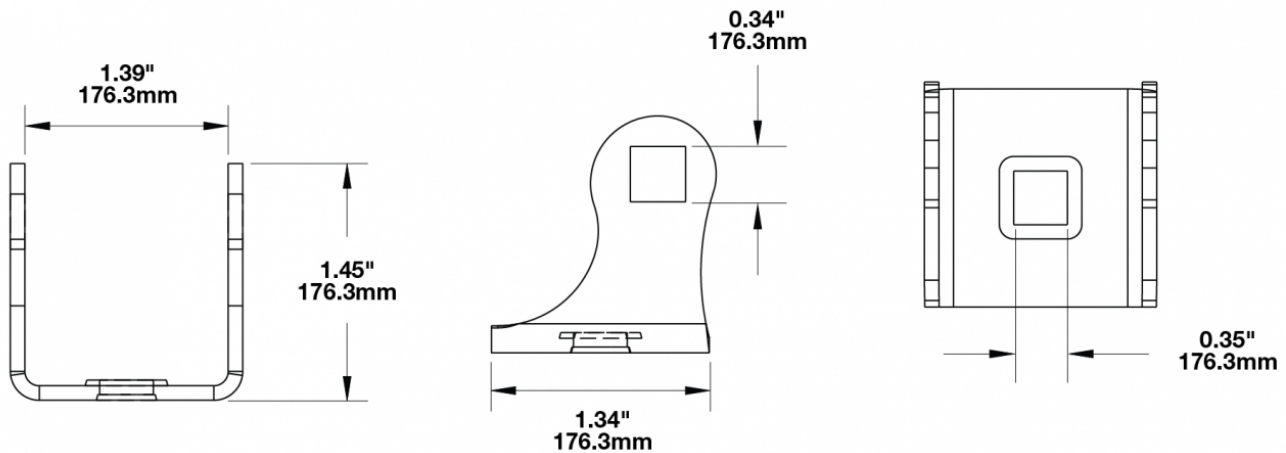
# Stainless Steel Mounting Kit for Work Lights & Marine Lights

## PRODUCT INFORMATION

<b>Description</b>	Stainless Steel Mounting Kit for Work Lights & Marine Lights
<b>Shipping Weight</b>	0.30 lbs / 0.14 kgs



## PRODUCT DIMENSIONS



Print date: 2026-05-31

© 2026 J.W. Speaker Corporation • Germantown, WI U.S.A.  
www.jwspeaker.com • speaker@jwspeaker.com • 262.251.6660

# Stainless Steel Mounting Kit for Work Lights & Marine Lights

## REGULATORY STANDARDS COMPLIANCE

---



Buy America Standards

Eco Friendly

## APPLICATIONS

---



## PRODUCT WARNINGS

---

For California residents:

**⚠ WARNING:** Cancer and reproductive harm - [www.P65Warnings.ca.gov](http://www.P65Warnings.ca.gov).

**⚠ AVERTISSEMENT:** Cancer et effet nocif sur la reproduction - [www.P65Warnings.ca.gov](http://www.P65Warnings.ca.gov).

---

Print date: 2026-05-31

© 2026 J.W. Speaker Corporation • Germantown, WI U.S.A.  
www.jwspeaker.com • speaker@jwspeaker.com • 262.251.6660

# Stainless Steel Mounting Kit for Work Lights & Marine Lights

SUITS THESE PRODUCTS

---



**5" x 3" LED Backup  
Camera Light and  
Reverse Light**

LED Backup Camera  
Light and Reverse  
Light - Model 778 XD

---

**Print date: 2026-05-31**

© 2026 J.W. Speaker Corporation • Germantown, WI U.S.A.  
www.jwspeaker.com • speaker@jwspeaker.com • 262.251.6660