

# LED Auxiliary Work Light - Model 4418

## PRODUCT INFORMATION

<b>Description</b>	12V LED Work Light Kit with Spot Beam Pattern
<b>Height</b>	95.00 mm / 3.74 in
<b>Width</b>	89.00 mm / 3.5 in
<b>Depth</b>	48.00 mm / 1.89 in
<b>Shape</b>	Square
<b>Outer Lens Material</b>	Polycarbonate
<b>Outer Lens Color</b>	Clear
<b>Housing Material</b>	Die-Cast Aluminum
<b>Housing Color</b>	Black
<b>Mounting Hardware Description</b>	(x1) M8-1.25 x 25mm Single Carriage Bolt
<b>Mounting Type</b>	Pedestal
<b>Minimum Operating Temperature</b>	-40 °C / -40 °F
<b>Maximum Operating Temperature</b>	85 °C / 185 °F
<b>Connector or Wiring</b>	Bare Leads
<b>Product Weight</b>	1.87 lbs / 0.85 kgs
<b>Shipping Weight</b>	3.85 lbs / 1.75 kgs



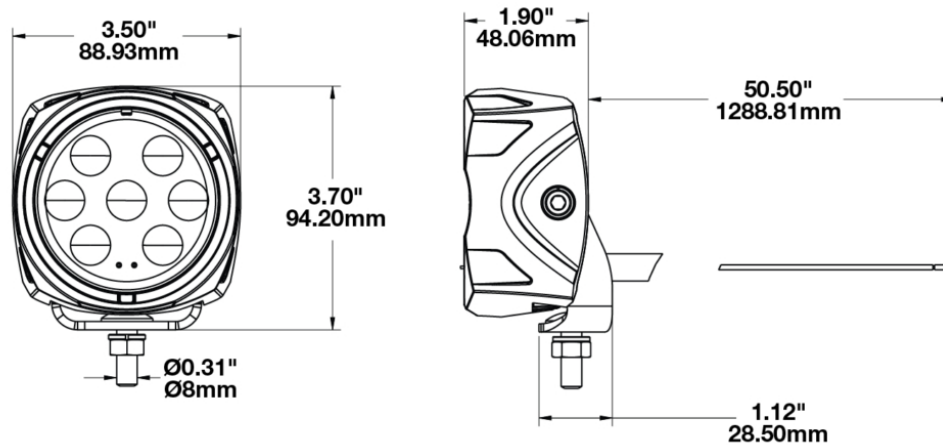
Print date: 2018-10-23

© 2018 J.W. Speaker Corporation • Germantown, WI U.S.A.  
[www.jwspeaker.com](http://www.jwspeaker.com) • [speaker@jwspeaker.com](mailto:speaker@jwspeaker.com) • 262.251.6660

**J.W. SPEAKER**   
 Engineered. Lighting. Solutions.

# LED Auxiliary Work Light - Model 4418

## PRODUCT DIMENSIONS



## ELECTRICAL SPECIFICATIONS

<b>Input Voltage</b>	12V DC
<b>Operating Voltage</b>	9-16V DC
<b>Red Wire</b>	Positive
<b>Black Wire</b>	Negative
<b>Current Draw</b>	2.17A @ 9V DC 0.97A @ 16V DC

## REGULATORY STANDARDS COMPLIANCE



Buy America Standards  
IEC IP67  
Tested to ECE Reg. 10  
(Radiated Emissions only)

Eco Friendly  
IEC IP69K

Print date: 2018-10-23

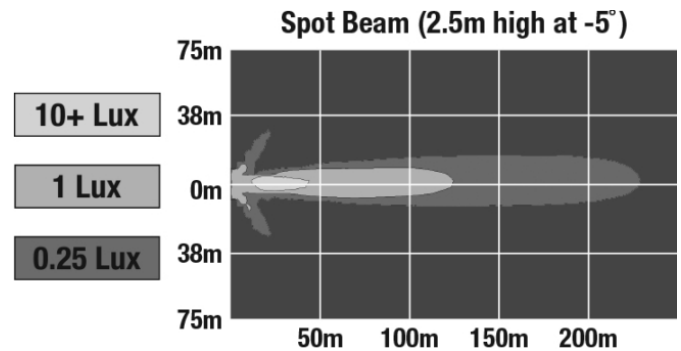
© 2018 J.W. Speaker Corporation • Germantown, WI U.S.A.  
www.jwspeaker.com • speaker@jwspeaker.com • 262.251.6660

**J.W. SPEAKER**  
Engineered. Lighting. Solutions.

# LED Auxiliary Work Light - Model 4418

## PHOTOMETRIC SPECIFICATIONS

<b>Raw Lumen Output</b>	2,450
<b>Effective Lumen Output</b>	1,300
<b>Nominal LED Color Temperature</b>	5000 K
<b>Beam Pattern(s)</b>	Forward Lighting - Spot



## APPLICATIONS



## ADDITIONAL INFORMATION

Each Kit Includes:

- 2 Model 4418 LED Auxiliary Work Lights
- Complete Wiring Kit with:
  - 2-light switch kit with 8 foot relay harness
  - 50 inch extension wires & solder splices for a customized install
  - Illuminated rocker switch for a 13/16 inch mounting hole
  - Weather-tight connectors & a fused battery connection
  - Minimally intrusive switch wire harness for simple install

Print date: 2018-10-23

© 2018 J.W. Speaker Corporation • Germantown, WI U.S.A.  
 www.jwspeaker.com • speaker@jwspeaker.com • 262.251.6660

# LED Auxiliary Work Light - Model 4418

## ACCESSORIES

---



**Part Number**  
**6149203**  
A-Pillar Mounting Kit  
for Jeep JK



**Part Number**  
**6149233**  
A-Pillar Mounting Kit  
for Jeep TJ

## RELATED PRODUCTS

---



**Part Number**  
**0554861**  
12V LED Work Light  
with Spot Beam  
Pattern



**Part Number**  
**0554871**  
12V LED Work Light  
with Trapezoid Beam  
Pattern



**Part Number**  
**0554873**  
12V LED Work Light Kit  
with Trapezoid Beam  
Pattern



**Part Number**  
**0555001**  
12V LED Work Light  
with Flood Beam  
Pattern



**Part Number**  
**0555003**  
12V LED Work Light Kit  
with Flood Beam  
Pattern