

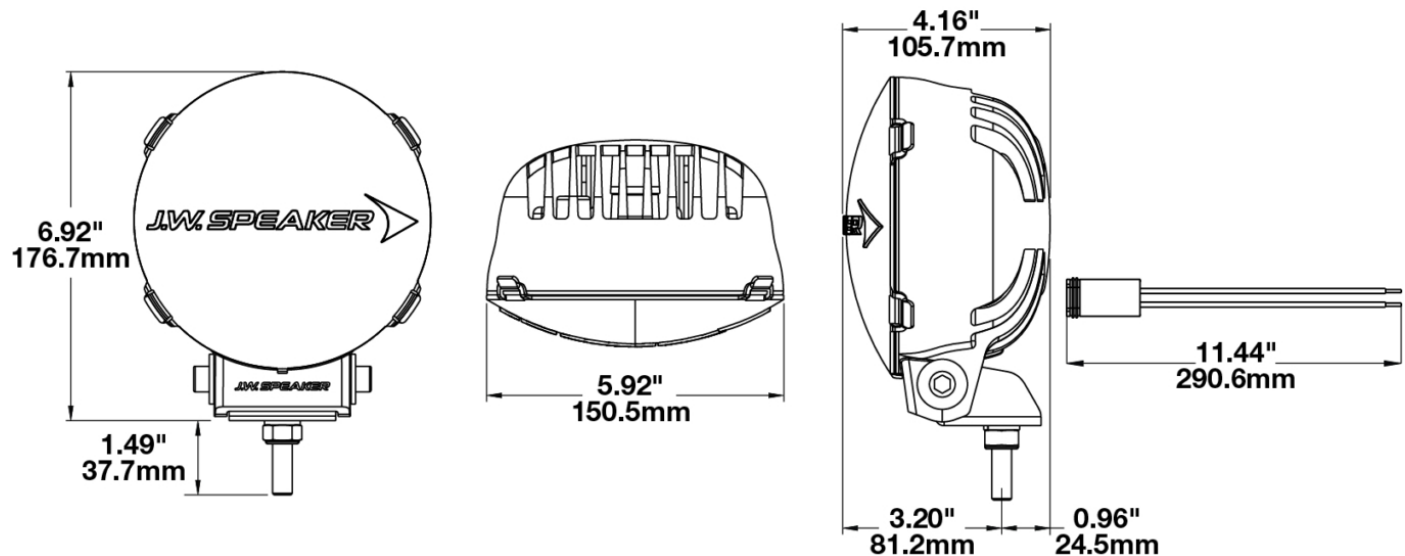
LED Auxiliary Work Light - Model TS3001R

PRODUCT INFORMATION

| | |
|--------------------------------------|--|
| Description | 12-24V ECE LED Auxiliary Light with Driving Beam - 1 Light |
| Height | 172.72 mm / 6.8 in |
| Width | 152.40 mm / 6 in |
| Depth | 104.14 mm / 4.1 in |
| Shape | Round |
| Outer Lens Material | Polycarbonate |
| Outer Lens Color | Clear |
| Housing Material | Xenoy |
| Housing Color | Black |
| Mounting Hardware Description | (x1) 3/8-16 x 1.5" Stainless Steel Screws |
| Mounting Type | Bracket |
| Connector or Wiring | Integral Deutsch DT04-2P |
| Mating Connector | DT06-2P |
| Product Weight | 2.03 lbs / 0.92 kgs |
| Shipping Weight | 3.20 lbs / 1.45 kgs |



PRODUCT DIMENSIONS



Print date: 2026-05-24

© 2026 J.W. Speaker Corporation • Germantown, WI U.S.A.
 www.jwspeaker.com • speaker@jwspeaker.com • 262.251.6660

J.W. SPEAKER
 Engineered. Lighting. Solutions.

LED Auxiliary Work Light - Model TS3001R

ELECTRICAL SPECIFICATIONS

| | |
|--------------------------|--|
| Input Voltage | 12-24V DC |
| Operating Voltage | 9-24V DC |
| Current Draw | 1.15A @ 12V DC (Standard) 0.60A @ 24V DC (Standard) 2.15A @ 12V DC (Jeep) 1.00A @ 24V DC (Jeep) |

REGULATORY STANDARDS COMPLIANCE

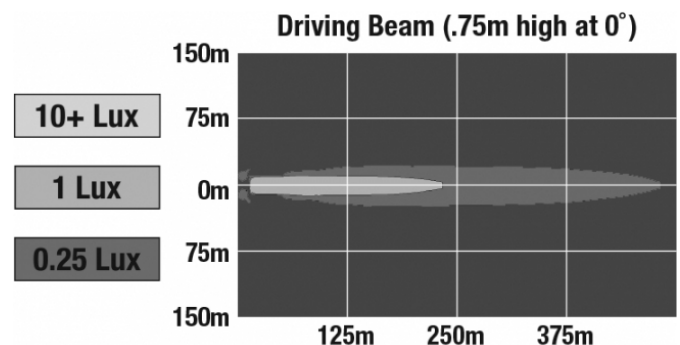


Buy America Standards
Eco Friendly

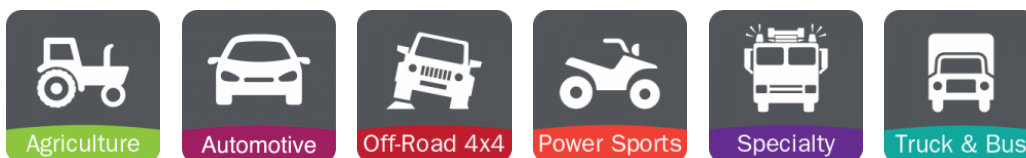
ECE Reg 112
IEC IP67

PHOTOMETRIC SPECIFICATIONS

| | |
|-------------------------------|----------------------------|
| Raw Lumen Output | 1,960 |
| Effective Lumen Output | 1,080 |
| Candela Output | 55,000 |
| Beam Pattern(s) | Forward Lighting - Driving |



APPLICATIONS



Print date: 2026-05-24

© 2026 J.W. Speaker Corporation • Germantown, WI U.S.A.
www.jwspeaker.com • speaker@jwspeaker.com • 262.251.6660

J.W. SPEAKER
Engineered. Lighting. Solutions.

LED Auxiliary Work Light - Model TS3001R

PRODUCT WARNINGS

For California residents:

⚠ **WARNING:** Cancer and reproductive harm - www.P65Warnings.ca.gov.

⚠ **AVERTISSEMENT:** Cancer et effet nocif sur la reproduction - www.P65Warnings.ca.gov.

ACCESSORIES



Part Number
5874271

Clear Replacement
Lens Cover for Model
TS3001R



Part Number
5874281

Amber Replacement
Lens Cover for Model
TS3001R



Part Number
5874291

Red Replacement Lens
Cover for Model
TS3001R



Part Number
5874301

Blue Replacement
Lens Cover for Model
TS3001R



Part Number
6149203

A-Pillar Mounting Kit
for Jeep JK



Part Number
6149233

A-Pillar Mounting Kit
for Jeep TJ

Print date: 2026-05-24

© 2026 J.W. Speaker Corporation • Germantown, WI U.S.A.
www.jwspeaker.com • speaker@jwspeaker.com • 262.251.6660

J.W. SPEAKER 
Engineered. Lighting. Solutions.

LED Auxiliary Work Light - Model TS3001R

RELATED PRODUCTS



Part Number
0550441
12-24V DOT LED
Auxiliary Light with
Driving Beam - 1 Light



Part Number
0550443
12-24V DOT LED
Auxiliary Light with
Driving Beam - 2 Light
Kit



Part Number
0550463
12-24V ECE LED
Auxiliary Light with
Driving Beam - 2 Light
Kit



Part Number
0550481
12-24V LED Auxiliary
Light with Pencil Beam
- 1 Light



Part Number
0550483
12-24V LED Auxiliary
Light with Pencil Beam
- 2 Light Kit