

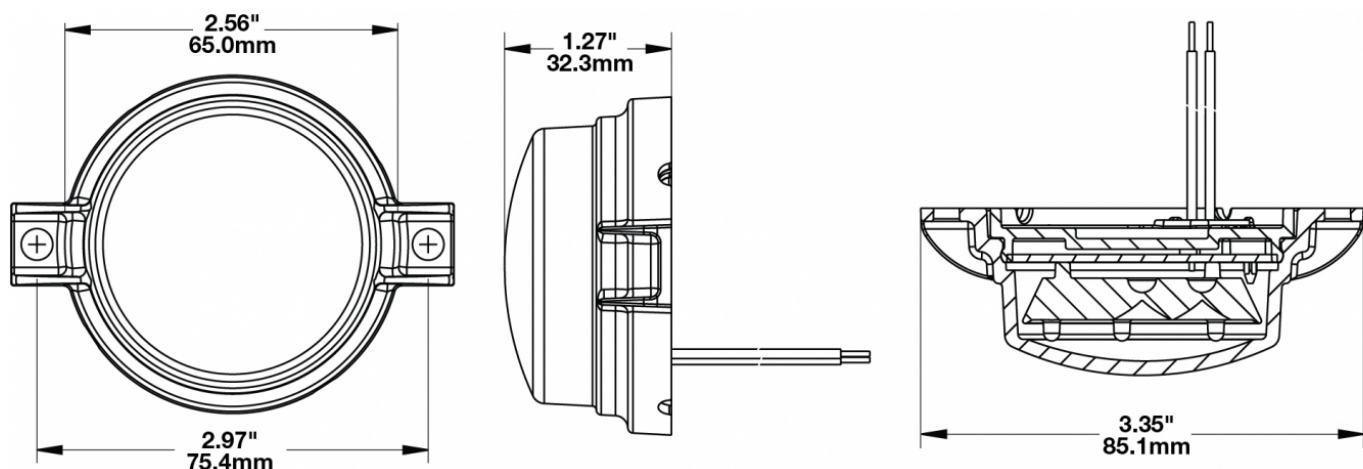
# LED Amber Flashing Warning Light - Model 146

## PRODUCT INFORMATION

<b>Description</b>	12-48V LED Amber Flashing Warning Light
<b>Height</b>	32.26 mm / 1.27 in
<b>Width</b>	85.09 mm / 3.35 in
<b>Depth</b>	65.02 mm / 2.56 in
<b>Shape</b>	Round
<b>Outer Lens Material</b>	Polycarbonate
<b>Outer Lens Color</b>	Amber
<b>Housing Material</b>	Polycarbonate
<b>Housing Color</b>	Black
<b>Mounting Type</b>	Low Profile Mount
<b>Minimum Operating Temperature</b>	-40 °C / -40 °F
<b>Maximum Operating Temperature</b>	65 °C / 149 °F
<b>Connector or Wiring</b>	6" Bare Leads
<b>Product Weight</b>	0.34 lbs / 0.15 kgs
<b>Shipping Weight</b>	0.34 lbs / 0.15 kgs



## PRODUCT DIMENSIONS



Print date: 2024-11-10

© 2024 J.W. Speaker Corporation • Germantown, WI U.S.A.  
 www.jwspeaker.com • speaker@jwspeaker.com • 262.251.6660

# LED Amber Flashing Warning Light - Model 146

## ELECTRICAL SPECIFICATIONS

---

<b>Input Voltage</b>	12-48V DC
<b>Black Wire</b>	Neutral
<b>Current Draw</b>	0.075 - 0.100 A @ 12V DC 0.035 - 0.050 A @ 24V DC 0.020 - 0.035 A @ 36V DC 0.018 - 0.030 A @ 48V DC

## REGULATORY STANDARDS COMPLIANCE

---



Buy America Standards  
IEC IP67

Eco Friendly  
UL Recognized

## PHOTOMETRIC SPECIFICATIONS

---

**Beam Pattern(s)**      Warning - Flashing Warning

## APPLICATIONS

---



## PRODUCT WARNINGS

---

For California residents:

⚠️ **WARNING:** Cancer and reproductive harm - [www.P65Warnings.ca.gov](http://www.P65Warnings.ca.gov).

⚠️ **AVERTISSEMENT:** Cancer et effet nocif sur la reproduction - [www.P65Warnings.ca.gov](http://www.P65Warnings.ca.gov).

**Print date: 2024-11-10**

© 2024 J.W. Speaker Corporation • Germantown, WI U.S.A.  
[www.jwspeaker.com](http://www.jwspeaker.com) • [speaker@jwspeaker.com](mailto:speaker@jwspeaker.com) • 262.251.6660