

# Adaptive LED Headlights - Model 8690 Adaptive

## PRODUCT INFORMATION

<b>Description</b>	12V DOT/ECE LED High & Low Beam Adaptive Headlight with Black Inner Bezel
<b>Height</b>	143.00 mm / 5.63 in
<b>Width</b>	143.00 mm / 5.63 in
<b>Depth</b>	82.50 mm / 3.25 in
<b>Shape</b>	Round
<b>Outer Lens Material</b>	Polycarbonate
<b>Outer Lens Color</b>	Clear
<b>Housing Material</b>	Aluminum
<b>Housing Color</b>	Gray
<b>Bezel Color</b>	Black
<b>Retrofits</b>	Bucket 5 3/4" Round Headlights (PAR46)
<b>Minimum Operating Temperature</b>	-40 °C / -40 °F
<b>Maximum Operating Temperature</b>	65 °C / 149 °F
<b>Connector or Wiring</b>	H4
<b>Mating Connector</b>	H4, AMP#172615-2
<b>Product Weight</b>	1.80 lbs / 0.82 kgs
<b>Shipping Weight</b>	2.47 lbs / 1.12 kgs



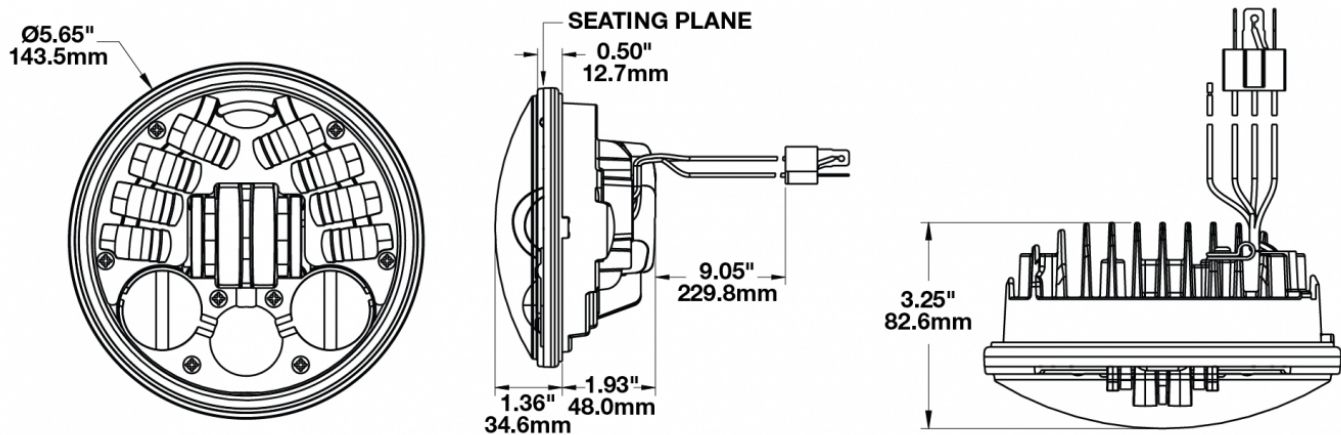
Print date: 2017-08-16

© 2017 J.W. Speaker Corporation • Germantown, WI U.S.A.  
[www.jwspeaker.com](http://www.jwspeaker.com) • [speaker@jwspeaker.com](mailto:speaker@jwspeaker.com) • 262.251.6660

**J.W. SPEAKER**   
 Engineered. Lighting. Solutions.

# Adaptive LED Headlights - Model 8690 Adaptive

## PRODUCT DIMENSIONS



## ELECTRICAL SPECIFICATIONS

<b>Input Voltage</b>	12V DC
<b>Operating Voltage</b>	9-16V DC
<b>Transient Spike Protection</b>	150V Peak @ 1 HZ-100 Pulses
<b>Black Wire</b>	Ground
<b>White Wire</b>	High Beam
<b>Yellow Wire</b>	Low Beam
<b>Red Wire</b>	Front Position
<b>Current Draw</b>	1.9A @ 12V DC (Low Beam) 3.2A @ 12V DC (High Beam) .21A @ 12V DC (Front Position) 4.2A @ 12V DC (Low Beam at Full Lean)

Print date: 2017-08-16

© 2017 J.W. Speaker Corporation • Germantown, WI U.S.A.  
www.jwspeaker.com • speaker@jwspeaker.com • 262.251.6660

# Adaptive LED Headlights - Model 8690 Adaptive

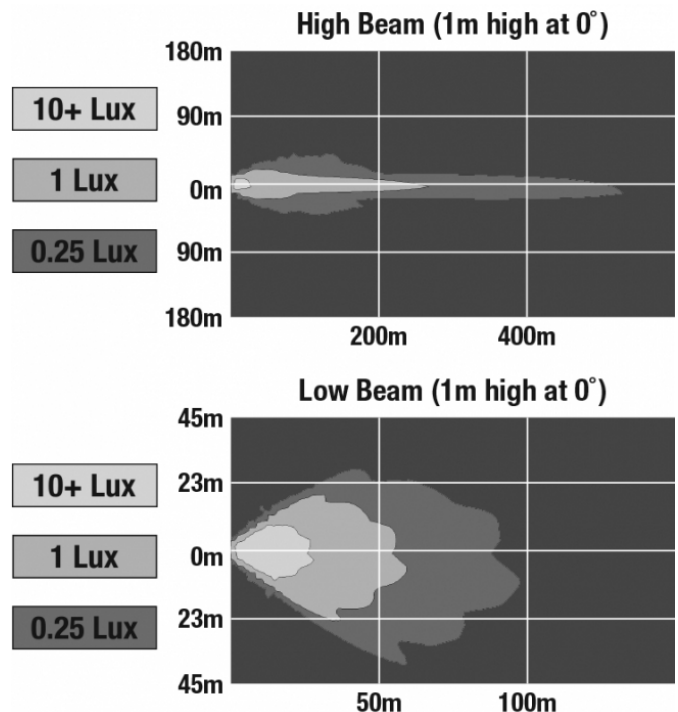
## REGULATORY STANDARDS COMPLIANCE



Buy America Standards	ECE Reg 113 Class D
ECE Reg 50	Eco Friendly
FMVSS 108 Table XX	IEC IP67
SAE J575	SAE J584

## PHOTOMETRIC SPECIFICATIONS

<b>Raw Lumen Output</b>	3,520 (High Beam); 2,120 (Low Beam)
<b>Effective Lumen Output</b>	1,600 (High Beam); 1050 (Low Beam)
<b>Candela Output</b>	60,000 (High Beam); 8,300 (Low Beam)
<b>Nominal LED Color Temperature</b>	5000 K
<b>Beam Pattern(s)</b>	Forward Lighting - High Beam (DOT/ECE) Forward Lighting - Low Beam (DOT/ECE) Signalization - Front Position



Print date: 2017-08-16

© 2017 J.W. Speaker Corporation • Germantown, WI U.S.A.  
www.jwspeaker.com • speaker@jwspeaker.com • 262.251.6660

# Adaptive LED Headlights - Model 8690 Adaptive

## APPLICATIONS

---



## INSTALLATION & APPLICATION INFORMATION

---

Headlight must be securely mounted and properly aimed such that the beam pattern cut off line complies with all applicable regulations. If you are not familiar with the legal requirements for aiming your headlights, please see a professional service provider. We recommend that headlights are aimed with a headlight aiming system for proper alignment.

## ADDITIONAL INFORMATION

---

Note about Front Position: The front position light is a requirement outside the United States. **If your bike is operated in the United States you do NOT need to connect this wire (red)** unless your bike is equipped with a front position light.

## RELATED PRODUCTS

---



### **Part Number**

**0551741**

12V DOT/ECE LED High  
& Low Beam Adaptive  
Headlight with Chrome  
Inner Bezel

---

**Print date: 2017-08-16**

© 2017 J.W. Speaker Corporation • Germantown, WI U.S.A.  
www.jwspeaker.com • speaker@jwspeaker.com • 262.251.6660

**J.W. SPEAKER**   
*Engineered. Lighting. Solutions.*