

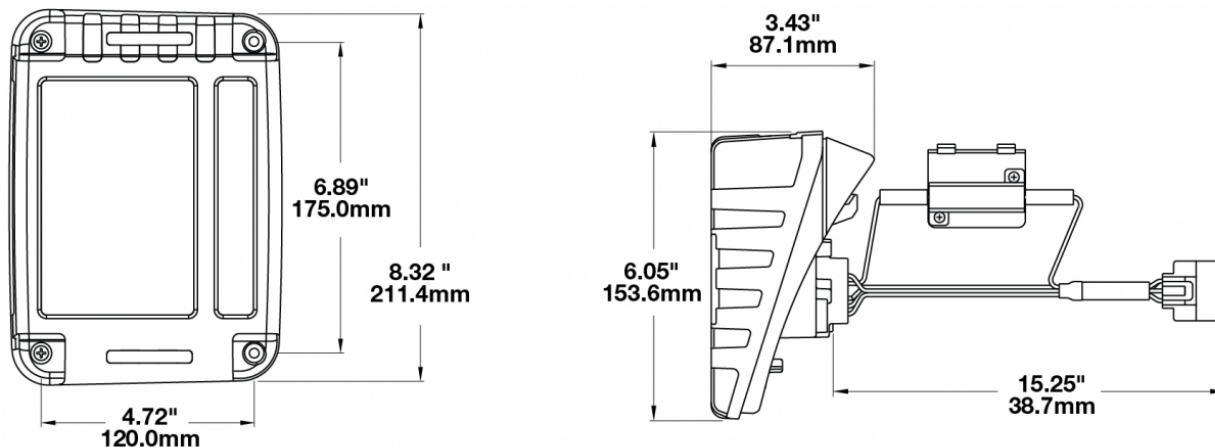
LED Tail Lights - Model 279 J Series

PRODUCT INFORMATION

| | |
|--------------------------------------|--|
| Description | 12-24V DOT LED Jeep Tail Light Kit - 2 Light Kit |
| Height | 210.31 mm / 8.28 in |
| Width | 153.67 mm / 6.05 in |
| Depth | 87.12 mm / 3.43 in |
| Shape | Rectangular |
| Outer Lens Material | Acrylic |
| Outer Lens Color | Clear |
| Housing Material | Polycarbonate |
| Housing Color | Black |
| Bezel Color | Black |
| Mounting Hardware Description | (x4) #8-16 x 2 Pan Head, Self Tapping Plastite Screw |
| Connector or Wiring | YAZAKI 7287-2779-30 |
| Mating Connector | YAZAKI 7282-5553-30 |
| Product Weight | 6.40 lbs / 2.9 kgs |
| Shipping Weight | 5.80 lbs / 2.63 kgs |



PRODUCT DIMENSIONS



Print date: 2026-06-22

© 2026 J.W. Speaker Corporation • Germantown, WI U.S.A.
 www.jwspeaker.com • speaker@jwspeaker.com • 262.251.6660

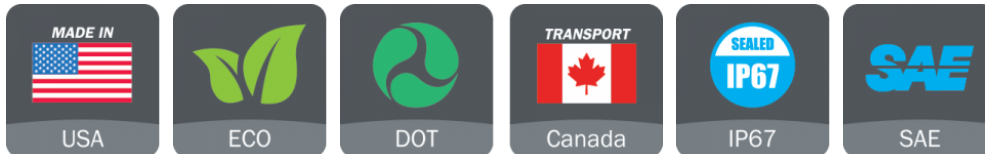
J.W. SPEAKER
 Engineered. Lighting. Solutions.

LED Tail Lights - Model 279 J Series

ELECTRICAL SPECIFICATIONS

| | |
|-----------------------------------|--|
| Input Voltage | 12-24V DC |
| Operating Voltage | 9-32V DC |
| Transient Spike Protection | 150V Peak @ 1 HZ-100 Pulses |
| Black Wire | Ground |
| Purple Wire | Tail |
| Yellow Wire | Stop |
| Green Wire | Reverse |
| Current Draw | 1.70A @ 12V DC (Stop/Turn) 0.21A @ 24V DC (Stop/Turn) 0.10A @ 12V DC (Tail) 0.09A @ 24V DC (Tail) 0.18A @ 12V DC (Reverse) 0.10A @ 24V DC (Reverse) |

REGULATORY STANDARDS COMPLIANCE



| | |
|----------------------------|-----------------------------|
| Buy America Standards | Eco Friendly |
| FMVSS 108 s7.1 (Table VII) | FMVSS 108 s7.2 (Table VIII) |
| FMVSS 108 s7.3 (Table IX) | FMVSS 108 s7.4 (Table X) |
| FMVSS 108 s7.6 (Table XII) | FMVSS 108 s8.1 (Table XVI) |
| IEC IP67 | SAE J575 |
| SAE J585 | SAE J586 |
| SAE J588 | SAE J592 |
| SAE J593 | SAE J594 |

PHOTOMETRIC SPECIFICATIONS

| | |
|------------------------|---|
| Beam Pattern(s) | Signalization - Stop Signalization - Tail Signalization - Turn (Rear) |
|------------------------|---|

Print date: 2026-06-22

© 2026 J.W. Speaker Corporation • Germantown, WI U.S.A.
www.jwspeaker.com • speaker@jwspeaker.com • 262.251.6660

LED Tail Lights - Model 279 J Series

APPLICATIONS



WARRANTY

Check with your dealer to make sure they can be returned in the event your lights do not function properly.

Hyper-flashing is not warrantable. Read about what causes hyper-flashing and what you can do if you experience it with your LED upgrade on our website at www.jwspeaker.com/hyper-flashing

PRODUCT WARNINGS

For California residents:

⚠ **WARNING:** Cancer and reproductive harm - www.P65Warnings.ca.gov.

⚠ **AVERTISSEMENT:** Cancer et effet nocif sur la reproduction - www.P65Warnings.ca.gov.

Print date: 2026-06-22

© 2026 J.W. Speaker Corporation • Germantown, WI U.S.A.
www.jwspeaker.com • speaker@jwspeaker.com • 262.251.6660

J.W. SPEAKER 
Engineered. Lighting. Solutions.