

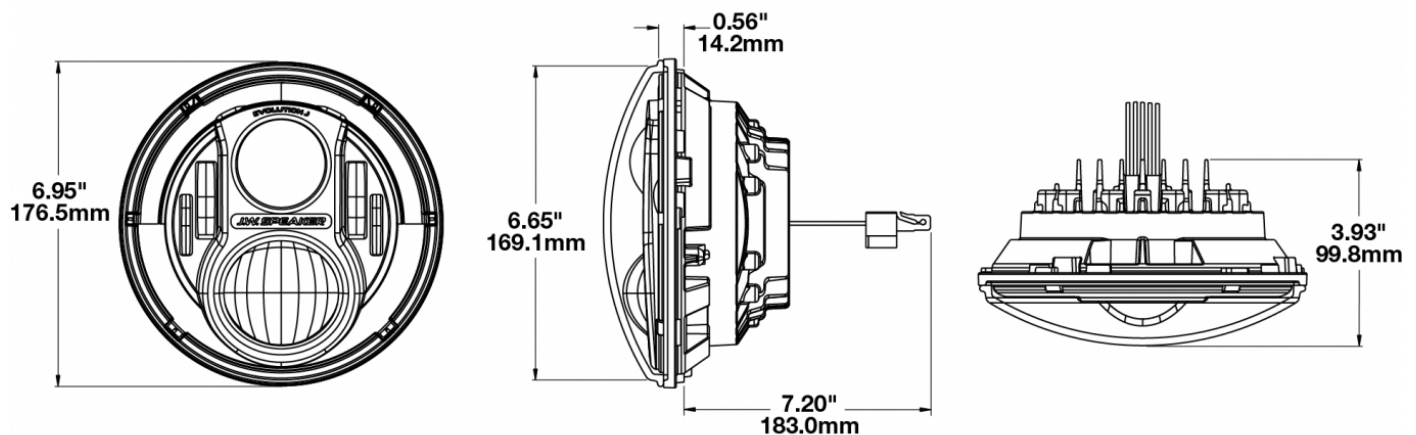
LED Headlights - Model 8700 Evolution J2 Series

PRODUCT INFORMATION

Description	12V DOT LED High & Low Beam Headlights with Black Bezel - 2 Light Kit
Height	176.53 mm / 6.95 in
Width	176.53 mm / 6.95 in
Depth	99.82 mm / 3.93 in
Shape	Round
Outer Lens Material	Polycarbonate
Outer Lens Color	Clear
Housing Material	Aluminum
Housing Color	Gray
Bezel Color	Black
Retrofits	7" round headlights or 2D1 PAR56
Minimum Operating Temperature	-40 °C / -40 °F
Maximum Operating Temperature	65 °C / 149 °F
Connector or Wiring	H13 Delphi 15326813
Product Weight	2.31 lbs / 1.05 kgs
Shipping Weight	6.55 lbs / 2.97 kgs



PRODUCT DIMENSIONS



Print date: 2017-08-16

© 2017 J.W. Speaker Corporation • Germantown, WI U.S.A.
www.jwspeaker.com • speaker@jwspeaker.com • 262.251.6660

J.W. SPEAKER 
 Engineered. Lighting. Solutions.

LED Headlights - Model 8700 Evolution J2 Series

ELECTRICAL SPECIFICATIONS

Input Voltage	12V DC
Operating Voltage	9-16V DC
Transient Spike Protection	150V Peak @ 1 HZ-100 Pulses
Black Wire	Ground
White Wire	High Beam
Yellow Wire	Low Beam
Current Draw	4.2A @ 12V DC (High Beam) 2.0A @ 12V DC (Low Beam)

REGULATORY STANDARDS COMPLIANCE



Buy America Standards
FMVSS 108 Table XIX
IEC IP67

Eco Friendly
FMVSS 108 Table XVIII

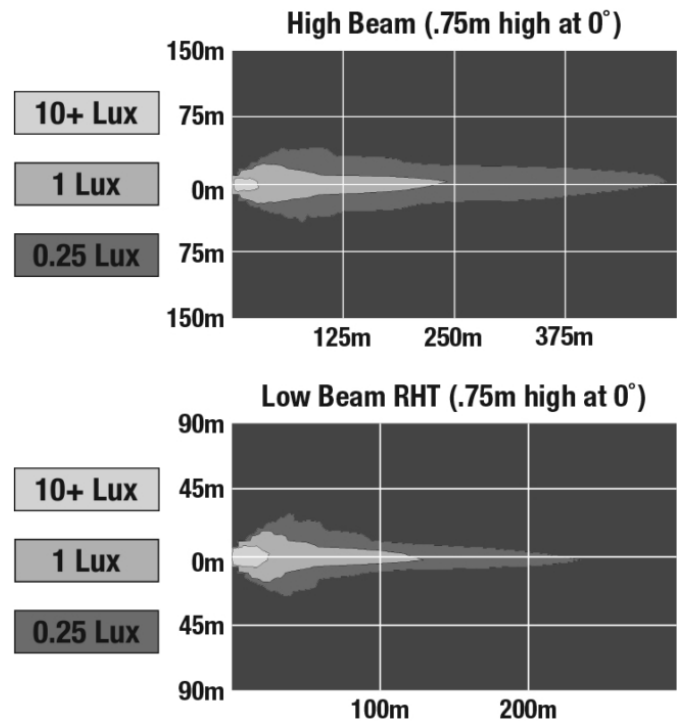
Print date: 2017-08-16

© 2017 J.W. Speaker Corporation • Germantown, WI U.S.A.
www.jwspeaker.com • speaker@jwspeaker.com • 262.251.6660

LED Headlights - Model 8700 Evolution J2 Series

PHOTOMETRIC SPECIFICATIONS

Raw Lumen Output	3,200 (High Beam); 1,770 (Low Beam)
Effective Lumen Output	1,260 (High Beam); 750 (Low Beam)
Candela Output	71,500 (High Beam); 35,003 (Low Beam)
Nominal LED Color Temperature	5000 K
Beam Pattern(s)	Forward Lighting - High Beam (DOT/ECE) Forward Lighting - Low Beam (DOT)



APPLICATIONS



Print date: 2017-08-16

© 2017 J.W. Speaker Corporation • Germantown, WI U.S.A.
www.jwspeaker.com • speaker@jwspeaker.com • 262.251.6660

LED Headlights - Model 8700 Evolution J2 Series

INSTALLATION & APPLICATION INFORMATION

The Model 8700 Evolution J2 Series is intended for use on 2007+ Jeep Wranglers & Jeep Wrangler Unlimited.

This series will fit 2017 Jeep JK models. However, it is only plug & play for the following models (identified with an X below). All others will need to be modified with a ring kit.

2017 Jeep Wrangler

Model	Halogen	LED Standard
Sport	X	
Sport S	X	
Willys Wheeler	X	
Big Bear	X	
Freedom Edition	X	
Sahara		X
75th Anniversary Edition		X
Rubicon		X
Smoky Mountain		X
Chief		X
Winter		X
Rubicon Hard Rock		X
Rubicon Recon		X

Print date: 2017-08-16

© 2017 J.W. Speaker Corporation • Germantown, WI U.S.A.
www.jwspeaker.com • speaker@jwspeaker.com • 262.251.6660

LED Headlights - Model 8700 Evolution J2 Series

ADDITIONAL INFORMATION

This light has been updated with Dual Burn™ high beam optics.

This technology combines your high and low beam when turning on your high beam, providing the driver with both widespread visibility along with a powerful punch of light down the road.



LOW BEAM



STANDARD
HIGH BEAM



DUAL BURN™
HIGH BEAM

RELATED PRODUCTS



Part Number
0553973

12V DOT LED High &
Low Beam Headlights
with Carbon Fiber
Bezel - 2 Light Kit

Print date: 2017-08-16

© 2017 J.W. Speaker Corporation • Germantown, WI U.S.A.
www.jwspeaker.com • speaker@jwspeaker.com • 262.251.6660