

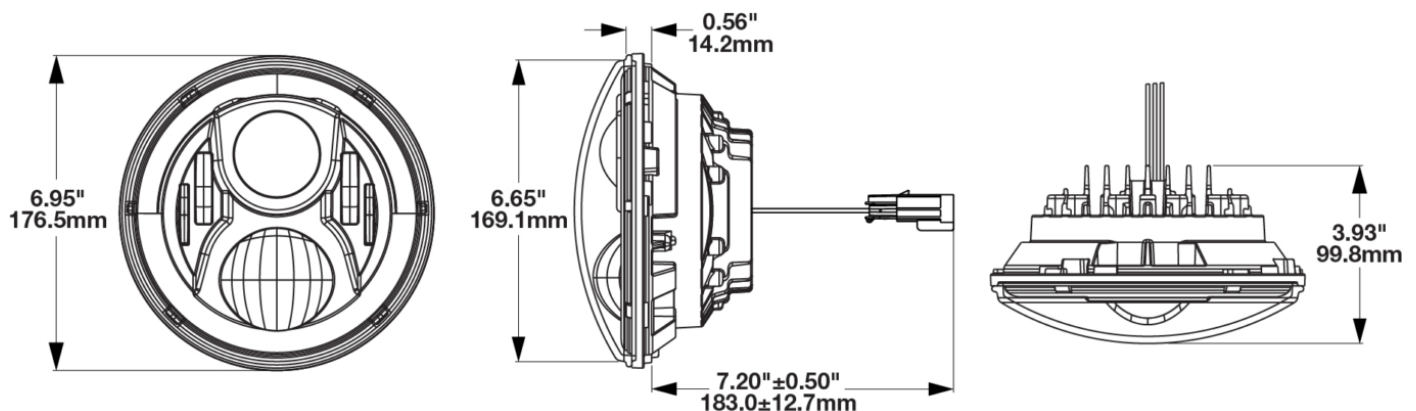
# LED Headlights - Model 8700 Evolution J2 Series

## PRODUCT INFORMATION

<b>Description</b>	12V ECE RHT LED High & Low Beam Headlights with FP, DRL, & Carbon Fiber Bezel - 2 Light Kit
<b>Height</b>	176.53 mm / 6.95 in
<b>Width</b>	176.53 mm / 6.95 in
<b>Depth</b>	99.82 mm / 3.93 in
<b>Shape</b>	Round
<b>Outer Lens Material</b>	Polycarbonate
<b>Outer Lens Color</b>	Clear
<b>Housing Material</b>	Die-Cast Aluminum
<b>Housing Color</b>	Gray
<b>Bezel Color</b>	Black Carbon Fiber
<b>Retrofits</b>	7" Round Headlights or 2D1 PAR56
<b>Minimum Operating Temperature</b>	-40 °C / -40 °F
<b>Maximum Operating Temperature</b>	65 °C / 149 °F
<b>Connector or Wiring</b>	H4
<b>Mating Connector</b>	H4 AMP 172615-2
<b>Product Weight</b>	4.75 lbs / 2.15 kgs
<b>Shipping Weight</b>	6.55 lbs / 2.97 kgs



## PRODUCT DIMENSIONS



Print date: 2026-04-27

© 2026 J.W. Speaker Corporation • Germantown, WI U.S.A.  
 www.jwspeaker.com • speaker@jwspeaker.com • 262.251.6660

**J.W. SPEAKER**  
 Engineered. Lighting. Solutions.

# LED Headlights - Model 8700 Evolution J2 Series

## ELECTRICAL SPECIFICATIONS

---

<b>Input Voltage</b>	12V DC
<b>Operating Voltage</b>	9-16V DC
<b>Transient Spike Protection</b>	150V Peak @ 1 HZ-100 Pulses
<b>Black Wire</b>	Ground
<b>White Wire</b>	High Beam
<b>Yellow Wire</b>	Low Beam
<b>Red Wire</b>	Front Position
<b>Blue Wire</b>	DRL
<b>Current Draw</b>	4.20A @ 12V DC (High Beam) 2.00A @ 12V DC (Low Beam) 1.60A @ 12V DC (DRL) 0.16A @ 12V DC (Front Position)

## REGULATORY STANDARDS COMPLIANCE

---



Buy America Standards	ECE Reg 10
ECE Reg 112	ECE Reg 7
ECE Reg 87	Eco Friendly
IEC IP67	

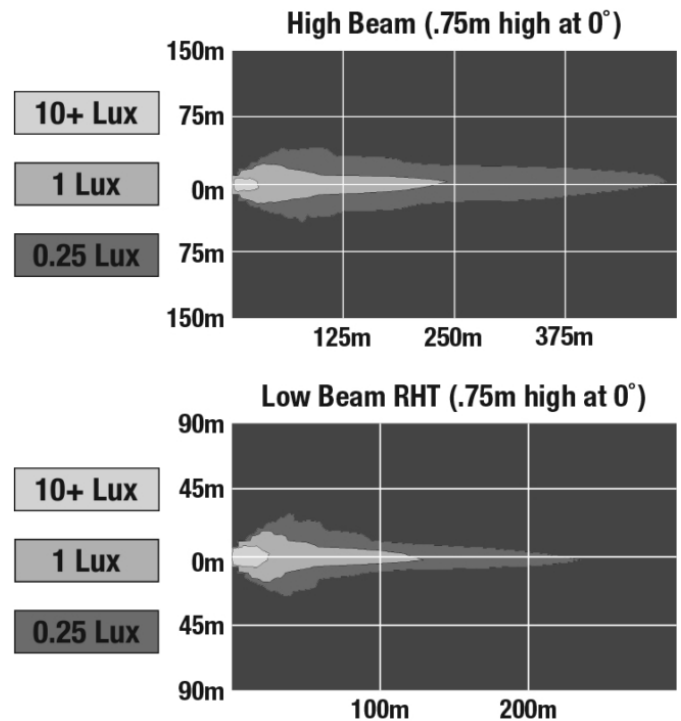
**Print date: 2026-04-27**

© 2026 J.W. Speaker Corporation • Germantown, WI U.S.A.  
www.jwspeaker.com • speaker@jwspeaker.com • 262.251.6660

# LED Headlights - Model 8700 Evolution J2 Series

## PHOTOMETRIC SPECIFICATIONS

<b>Raw Lumen Output</b>	3,200 (High Beam); 1,770 (Low Beam)
<b>Effective Lumen Output</b>	1,260 (High Beam); 750 (Low Beam)
<b>Candela Output</b>	71,500 (High Beam); 35,003 (Low Beam)
<b>Nominal LED Color Temperature</b>	5000 K
<b>Beam Pattern(s)</b>	Forward Lighting - Daytime Running Light Forward Lighting - High Beam (DOT/ECE) Forward Lighting - Low Beam (ECE Right Hand) Signalization - Front Position



## APPLICATIONS



## INSTALLATION & APPLICATION INFORMATION

The Model 8700 Evolution J2 Series is intended for use on 2007+ Jeep Wranglers & Jeep Wrangler Unlimited.

Depending on your 2017 Jeep Model, you may need mounting rings to install Model 8700 Evolution J2 LED headlight upgrades. Refer to the table below:



Print date: 2026-04-27

© 2026 J.W. Speaker Corporation • Germantown, WI U.S.A.  
www.jwspeaker.com • speaker@jwspeaker.com • 262.251.6660

# LED Headlights - Model 8700 Evolution J2 Series

## ADDITIONAL INFORMATION

---

**This light has been updated with Dual Burn™ high beam optics.**

This technology combines your high and low beam when turning on your high beam, providing the driver with both widespread visibility along with a powerful punch of light down the road.



## PRODUCT WARNINGS

---

For California residents:

**⚠ WARNING:** Cancer and reproductive harm - [www.P65Warnings.ca.gov](http://www.P65Warnings.ca.gov).

**⚠ AVERTISSEMENT:** Cancer et effet nocif sur la reproduction - [www.P65Warnings.ca.gov](http://www.P65Warnings.ca.gov).

## ACCESSORIES

---



**Part Number**  
**5868171**  
Single Mounting Ring  
(Right Hand Side) for  
2017 Jeeps 7" Round  
Headlights



**Part Number**  
**5868181**  
Single Mounting Ring  
(Left Hand Side) for  
2017 Jeeps 7" Round  
Headlights



**Part Number**  
**8200693**  
8700 Evolution J2  
Mounting Kit for Jeep  
JL



**Part Number**  
**8200461**  
Mounting Ring Kit for  
2017-18 Jeep JK 7"  
Round Headlights

---

**Print date: 2026-04-27**

© 2026 J.W. Speaker Corporation • Germantown, WI U.S.A.  
[www.jwspeaker.com](http://www.jwspeaker.com) • [speaker@jwspeaker.com](mailto:speaker@jwspeaker.com) • 262.251.6660

# LED Headlights - Model 8700 Evolution J2 Series

## RELATED PRODUCTS

---



**Part Number**  
**0553973**

12V DOT LED High & Low Beam Headlights with Carbon Fiber Bezel - 2 Light Kit



**Part Number**  
**0553993**

12V ECE LHT LED High & Low Beam Headlights with FP, DRL, & Carbon Fiber Bezel - 2 Light Kit



**Part Number**  
**0554543**

12V DOT LED High & Low Beam Headlights with Black Bezel - 2 Light Kit



**Part Number**  
**0554553**

12V ECE RHT LED High & Low Beam Headlights with FP, DRL, & Black Bezel - 2 Light Kit



**Part Number**  
**0554563**

12V ECE LHT LED High & Low Beam Headlights with FP, DRL, & Black Bezel - 2 Light Kit