

# 4" Round Rubber Mounting Grommet for Model 234

## PRODUCT INFORMATION

---

<b>Description</b>	4" Round Rubber Mounting Grommet for Model 234
<b>Height</b>	5.32 mm / 0.21 in
<b>Width</b>	5.32 mm / 0.21 in
<b>Depth</b>	1.03 mm / 0.04 in
<b>Shape</b>	Round
<b>Housing Material</b>	Rubber
<b>Housing Color</b>	Black
<b>Mounting Hardware Description</b>	(x1)
<b>Product Weight</b>	0.19 lbs / 0.09 kgs
<b>Shipping Weight</b>	0.19 lbs / 0.09 kgs
<b>Additional Information</b>	Designed to fit Diameter for a 4.50" panel hole. Max panel thickness of 0.25".



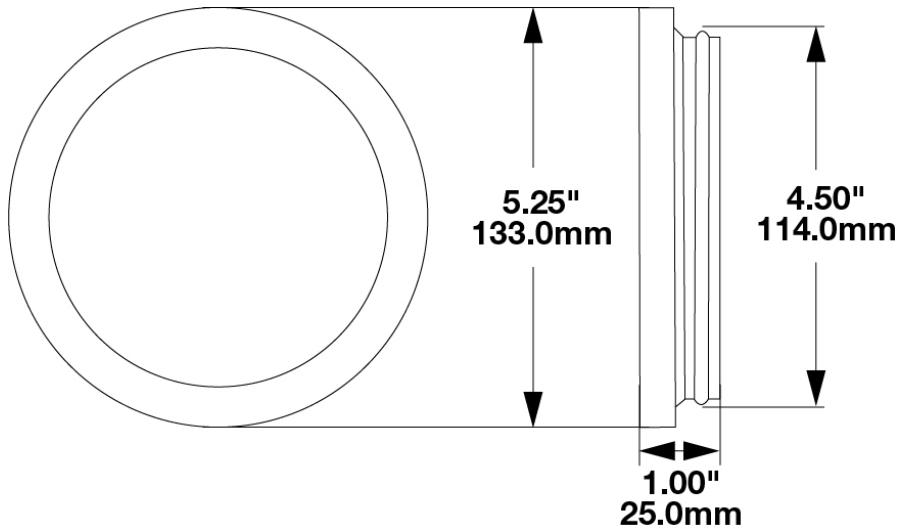
---

**Print date: 2024-11-08**

© 2024 J.W. Speaker Corporation • Germantown, WI U.S.A.  
www.jwspeaker.com • speaker@jwspeaker.com • 262.251.6660

# 4" Round Rubber Mounting Grommet for Model 234

## PRODUCT DIMENSIONS



## REGULATORY STANDARDS COMPLIANCE



Buy America Standards

Eco Friendly

## APPLICATIONS



Print date: 2024-11-08

© 2024 J.W. Speaker Corporation • Germantown, WI U.S.A.  
www.jwspeaker.com • speaker@jwspeaker.com • 262.251.6660

# 4" Round Rubber Mounting Grommet for Model 234

## MODEL 234 MOUNTING ACCESSORIES

J.W. Speaker offers a variety of mounting accessories, sold separately from the tail lights as single parts.

- Chrome Finish Plastic Trim Ring can be used with the Rubber Mounting Grommet (2 & 1).
- Stainless Steel Trim Ring can be used with the Plastic Mounting Flange (4 & 3).



Part No. 4242731

Part No. 8200451

Part No. 5869401

Part No. 8200441

## PRODUCT WARNINGS

For California residents:

⚠ **WARNING:** Cancer and reproductive harm - [www.P65Warnings.ca.gov](http://www.P65Warnings.ca.gov).

⚠ **AVERTISSEMENT:** Cancer et effet nocif sur la reproduction - [www.P65Warnings.ca.gov](http://www.P65Warnings.ca.gov).

## SUITS THESE PRODUCTS



### **4" Heated, Non-Heated & Color Flashing Tail Lights**

LED Tail Lights - Model 234

Print date: 2024-11-08

© 2024 J.W. Speaker Corporation • Germantown, WI U.S.A.  
[www.jwspeaker.com](http://www.jwspeaker.com) • [speaker@jwspeaker.com](mailto:speaker@jwspeaker.com) • 262.251.6660

**J.W. SPEAKER**  
*Engineered. Lighting. Solutions.*