

LED Tail Lights - Model 234

PRODUCT INFORMATION

Description	12-24V ECE DOT Reverse Light
Height	110.00 mm / 4.33 in
Width	110.00 mm / 4.33 in
Depth	40.00 mm / 1.57 in
Shape	Round
Outer Lens Material	Polycarbonate
Outer Lens Color	Clear
Housing Material	Polycarbonate
Housing Color	Black
Bezel Color	Amber
Mounting Hardware Description	None
Retrofits	Yes
Minimum Operating Temperature	-40 °C / -40 °F
Maximum Operating Temperature	65 °C / 149 °F
Connector or Wiring	Connector
Mating Connector	TE Connectivity SuperSeal 282087-1 OR Aptiv 12110293
Product Weight	0.30 lbs / 0.14 kgs
Shipping Weight	8.32 lbs / 3.77 kgs



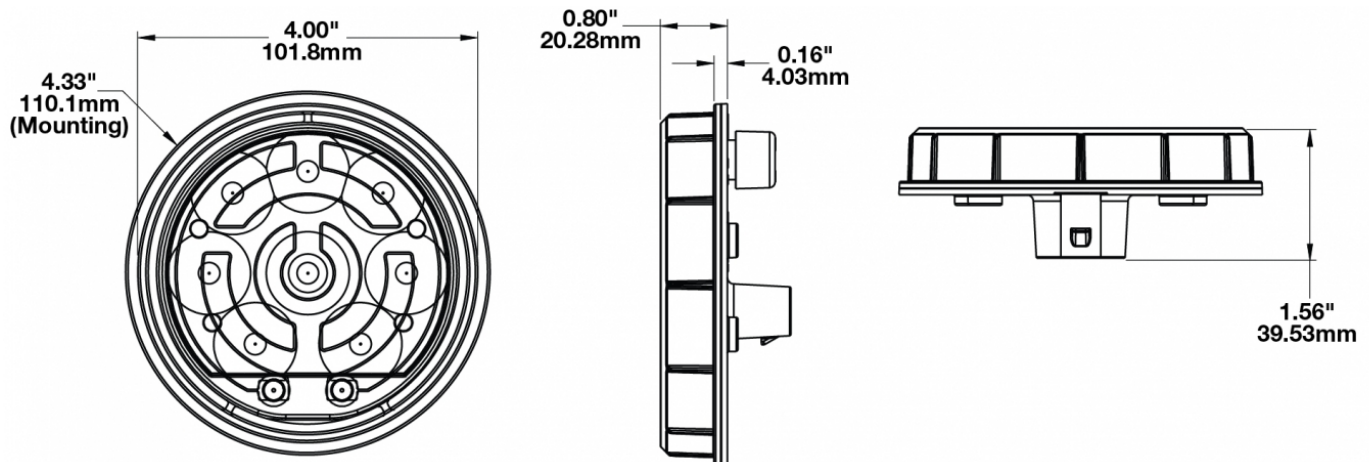
Print date: 2026-06-18

© 2026 J.W. Speaker Corporation • Germantown, WI U.S.A.
www.jwspeaker.com • speaker@jwspeaker.com • 262.251.6660

J.W. SPEAKER 
Engineered. Lighting. Solutions.

LED Tail Lights - Model 234

PRODUCT DIMENSIONS



ELECTRICAL SPECIFICATIONS

Input Voltage	12-24V AC
Operating Voltage	9-32V AC
White Wire	Ground
Red Wire	Reverse
Current Draw	0.182A @ 12V AC (Reverse) 0.101A @ 24V AC (Reverse)

REGULATORY STANDARDS COMPLIANCE



ECE Reg 10
 FMVSS CFR 49 571.108 R 1a
 SAE J593

ECE Reg 148 - AR
 IEC 60529 IP69K

Print date: 2026-06-18

© 2026 J.W. Speaker Corporation • Germantown, WI U.S.A.
 www.jwspeaker.com • speaker@jwspeaker.com • 262.251.6660

LED Tail Lights - Model 234

PHOTOMETRIC SPECIFICATIONS

Nominal LED Color 5700 K
Temperature

PRODUCT WARNINGS

For California residents:

⚠ **WARNING:** Cancer and reproductive harm - www.P65Warnings.ca.gov.

⚠ **AVERTISSEMENT:** Cancer et effet nocif sur la reproduction - www.P65Warnings.ca.gov.

ACCESSORIES



Part Number
4242731
4" Round Rubber
Mounting Grommet for
Model 234



Part Number
5869401
4" Round Plastic
Mounting Flange for
Model 234



Part Number
8200441
4" Round Stainless
Steel Trim Ring for
Model 234



Part Number
8200451
4" Round Chrome
Plastic Trim Ring for
Model 234



Part Number
3270501
3-Pin AMP Connector
Wire Harness
Assembly

Print date: 2026-06-18

© 2026 J.W. Speaker Corporation • Germantown, WI U.S.A.
www.jwspeaker.com • speaker@jwspeaker.com • 262.251.6660

LED Tail Lights - Model 234

RELATED PRODUCTS



Part Number
0348761
12-24V ECE DOT Turn
Signal Light - with
Heat



Part Number
0348771
12-24V ECE DOT Turn
Signal Light



Part Number
0348781
12-24V ECE DOT Stop
Tail Turn Lamp - with
Heat



Part Number
0348791
12-24V ECE DOT Stop
Tail Turn Lamp



Part Number
0348801
12-24V ECE DOT Stop
Tail Turn Lamp - Stud
Mounted - with Heat



Part Number
0348811
12-24V ECE DOT Stop
Tail Turn Lamp - Stud
Mounted



Part Number
0443751
12-24V ECE DOT
Reverse Light - with
Heat



Part Number
0647431
12-24V DOT Flashing
Lamp - Amber - with
Heat