

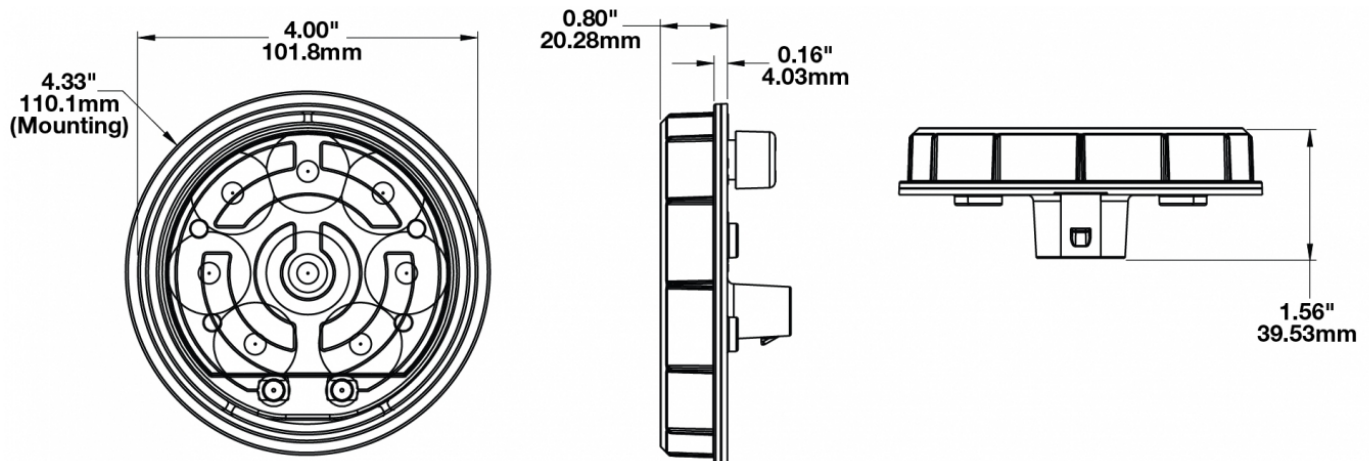
LED Tail Lights - Model 234

PRODUCT INFORMATION

Description	12-24V DOT LED Non-Heated Reverse Light with Harness
Height	42.55 mm / 1.68 in
Width	110.14 mm / 4.34 in
Depth	20.28 mm / 0.8 in
Shape	Round
Outer Lens Material	Polycarbonate
Outer Lens Color	Clear
Housing Material	Polycarbonate
Housing Color	Black
Connector or Wiring	AMP 282087-1
Mating Connector	3-Pin AMP Connector (#282087-1)
Product Weight	0.30 lbs / 0.14 kgs
Shipping Weight	0.51 lbs / 0.23 kgs



PRODUCT DIMENSIONS



Print date: 2017-11-23

© 2017 J.W. Speaker Corporation • Germantown, WI U.S.A.
 www.jwspeaker.com • speaker@jwspeaker.com • 262.251.6660

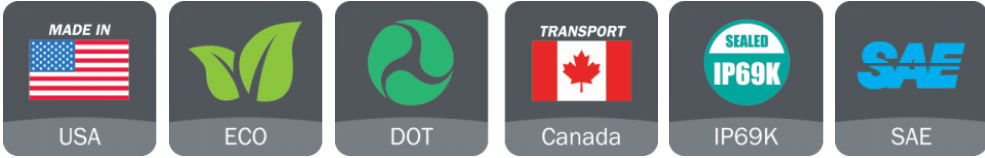
J.W. SPEAKER
 Engineered. Lighting. Solutions.

LED Tail Lights - Model 234

ELECTRICAL SPECIFICATIONS

Input Voltage	12-24V DC
Operating Voltage	10-32V DC
White Wire	Ground
Black Wire	Heater
Red Wire	Turn
Current Draw	1.3A @ 12V DC (Reverse) .7A @ 24V DC (Reverse) .9A @ 12V DC (Heater) .5A @ 24V DC (Heater)

REGULATORY STANDARDS COMPLIANCE



Buy America Standards
FMVSS 108 Table VII
SAE J593

Eco Friendly
IEC IP69K

PHOTOMETRIC SPECIFICATIONS

Effective Lumen Output 7

APPLICATIONS



Print date: 2017-11-23

© 2017 J.W. Speaker Corporation • Germantown, WI U.S.A.
www.jwspeaker.com • speaker@jwspeaker.com • 262.251.6660



LED Tail Lights - Model 234

ACCESSORIES



Part Number
3270501
3-Pin AMP Connector
(#282087-1) Wire
Harness Assembly



Part Number
4242731
4" Round Rubber
Mounting Grommet
for Model 234



Part Number
5869401
4" Round Plastic
Mounting Flange for
Model 234



Part Number
8200441
4" Round Stainless
Steel Trim Ring for
Model 234



Part Number
8200451
4" Round Chrome
Plastic Trim Ring for
Model 234

RELATED PRODUCTS



Part Number
0346261
12-24V DOT LED
Heated Stop & Tail
Light



Part Number
0346264
12-24V DOT LED
Heated Stop & Tail
Light Kit with Harness



Part Number
0346421
12-48V DOT LED Non-
Heated Stop & Tail
Light



Part Number
0346471
12-24V DOT LED
Heated Reverse Light



Part Number
0346474
12-24V DOT LED
Heated Reverse Light
Kit with Harness



Part Number
0347811
12-24V DOT LED
Heated Turn Signal



Part Number
0347814
12-24V DOT LED
Heated Turn Signal
Kit with Harness



Part Number
0347861
12-24V DOT LED Non-
Heated Stop & Tail
Light

Print date: 2017-11-23

© 2017 J.W. Speaker Corporation • Germantown, WI U.S.A.
www.jwspeaker.com • speaker@jwspeaker.com • 262.251.6660