

LED Tail Lights - Model 234

PRODUCT INFORMATION

| | |
|-------------------------------|--|
| Description | 12-24V DOT LED Non-Heated Turn Signal |
| Height | 20.28 mm / 0.8 in |
| Width | 110.14 mm / 4.34 in |
| Depth | 39.53 mm / 1.56 in |
| Shape | Round |
| Outer Lens Material | Polycarbonate |
| Outer Lens Color | Clear |
| Housing Material | Polycarbonate |
| Housing Color | Black |
| Bezel Color | Amber |
| Mounting Type | Grommet |
| Connector or Wiring | Bare Leas |
| Mating Connector | None. 3-Pin AMP Connector (#282087-1) sold separately. |
| Product Weight | 0.30 lbs / 0.14 kgs |
| Shipping Weight | 0.47 lbs / 0.21 kgs |
| Additional Information | Installation requires the third wire (for the heater) to be connected in order for the heater to work. Turn off power before installing. |



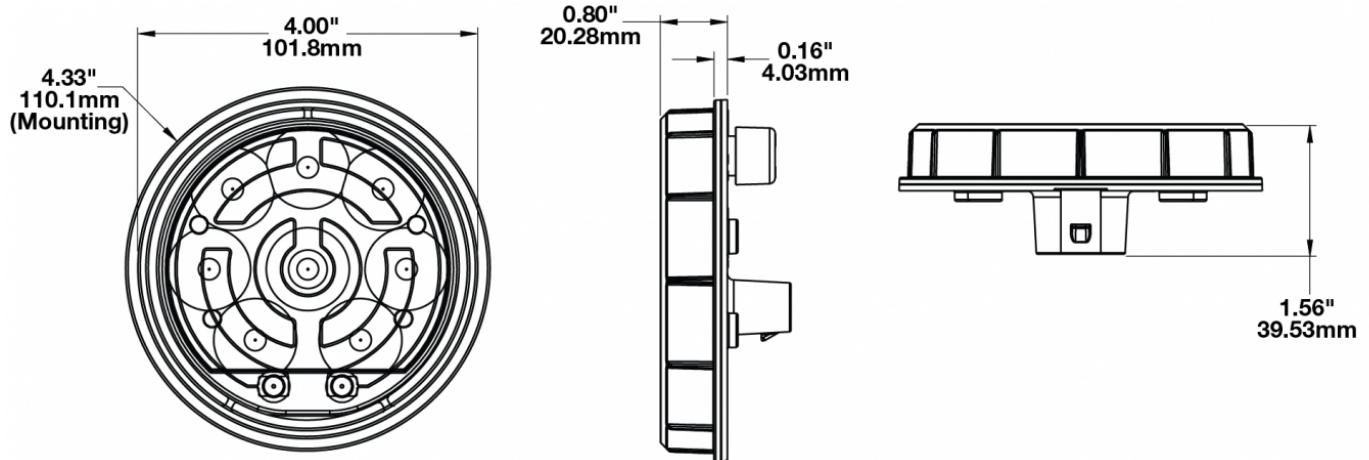
Print date: 2017-11-25

© 2017 J.W. Speaker Corporation • Germantown, WI U.S.A.
www.jwspeaker.com • speaker@jwspeaker.com • 262.251.6660

J.W. SPEAKER 
 Engineered. Lighting. Solutions.

LED Tail Lights - Model 234

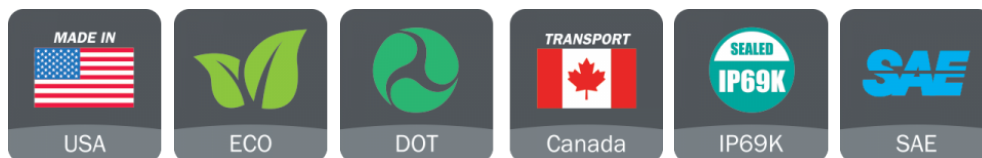
PRODUCT DIMENSIONS



ELECTRICAL SPECIFICATIONS

| | |
|--------------------------|---|
| Input Voltage | 12-24V DC |
| Operating Voltage | 9-32V DC |
| Current Draw | 1.3A @ 12V DC (Turn) .7A @ 24V DC (Turn) .9A @ 12V DC (Heater) .5A @ 24V DC (Heater) |

REGULATORY STANDARDS COMPLIANCE



Buy America Standards
FMVSS 108 Table VII
SAE J588

Eco Friendly
IEC IP69K

Print date: 2017-11-25

© 2017 J.W. Speaker Corporation • Germantown, WI U.S.A.
www.jwspeaker.com • speaker@jwspeaker.com • 262.251.6660

J.W. SPEAKER
Engineered. Lighting. Solutions.

LED Tail Lights - Model 234

PHOTOMETRIC SPECIFICATIONS

Effective Lumen Output 7
Beam Pattern(s) Signalization - Tail

APPLICATIONS



ACCESSORIES



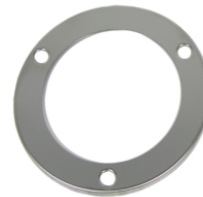
Part Number
3270501
3-Pin AMP Connector
(#282087-1) Wire
Harness Assembly



Part Number
4242731
4" Round Rubber
Mounting Grommet
for Model 234



Part Number
5869401
4" Round Plastic
Mounting Flange for
Model 234



Part Number
8200441
4" Round Stainless
Steel Trim Ring for
Model 234



Part Number
8200451
4" Round Chrome
Plastic Trim Ring for
Model 234

Print date: 2017-11-25

© 2017 J.W. Speaker Corporation • Germantown, WI U.S.A.
www.jwspeaker.com • speaker@jwspeaker.com • 262.251.6660

LED Tail Lights - Model 234

RELATED PRODUCTS



Part Number
0346261
12-24V DOT LED
Heated Stop & Tail
Light



Part Number
0346264
12-24V DOT LED
Heated Stop & Tail
Light Kit with Harness



Part Number
0346421
12-48V DOT LED Non-
Heated Stop & Tail
Light



Part Number
0346471
12-24V DOT LED
Heated Reverse Light



Part Number
0346474
12-24V DOT LED
Heated Reverse Light
Kit with Harness



Part Number
0347811
12-24V DOT LED
Heated Turn Signal



Part Number
0347814
12-24V DOT LED
Heated Turn Signal Kit
with Harness



Part Number
0347861
12-24V DOT LED Non-
Heated Stop & Tail
Light