

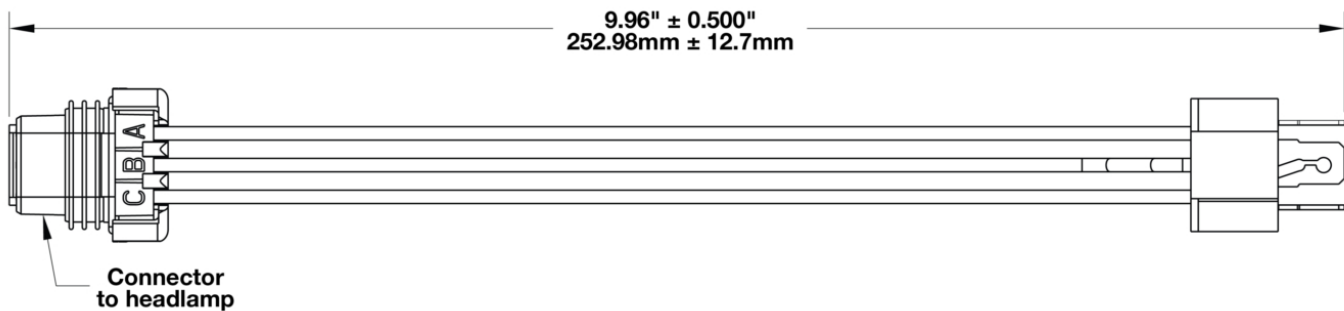
Low Beam Harness for 8800 Evolution 2 Series

PRODUCT INFORMATION

Description	Low Beam Harness for 8800 Evolution 2 Series
Width	254.00 mm / 10 in
Connector or Wiring	PE Connector
Mating Connector	Amp 172615-2
Shipping Weight	0.19 lbs / 0.09 kgs
Additional Information	This harness is for the Model 8800 Evolution 2 High Beam headlight. The PE Connector will plug directly into the lamp.



PRODUCT DIMENSIONS



Print date: 2018-08-14

© 2018 J.W. Speaker Corporation • Germantown, WI U.S.A.
 www.jwspeaker.com • speaker@jwspeaker.com • 262.251.6660

J.W. SPEAKER
 Engineered. Lighting. Solutions.

Low Beam Harness for 8800 Evolution 2 Series

ELECTRICAL SPECIFICATIONS

Black Wire	Ground
White Wire	Low Beam
Yellow Wire	High Beam

REGULATORY STANDARDS COMPLIANCE



Buy America Standards

Eco Friendly

SUITS THESE PRODUCTS



4" x 6" Heated & Non-Heated Headlights

LED Headlights –
Model 8800 Evolution
2

Print date: 2018-08-14

© 2018 J.W. Speaker Corporation • Germantown, WI U.S.A.
www.jwspeaker.com • speaker@jwspeaker.com • 262.251.6660