

LED Headlights – Model 8800 Evolution 2

PRODUCT INFORMATION

Description	12-24V DOT/ECE LED High Beam Headlight with Black Bezel
Height	107.19 mm / 4.22 in
Width	167.64 mm / 6.6 in
Depth	84.90 mm / 3.34 in
Shape	Rectangular
Outer Lens Material	Hardcoated Polycarbonate
Outer Lens Color	Clear
Housing Material	Die-Cast Aluminum
Housing Color	Black
Bezel Color	Black
Mounting Type	Low-Profile Panel Mount
Retrofits	1A1 and 2A1 (4" 1 6") sealed beams
Minimum Operating Temperature	-40 °C / -40 °F
Maximum Operating Temperature	65 °C / 149 °F
Connector or Wiring	H4 Connector - AMP (#172615-2)
Mating Connector	LH Terminal - AMP (#172795-1); RH Terminal - AMP (#172796-1)
Shipping Weight	2.30 lbs / 1.04 kgs



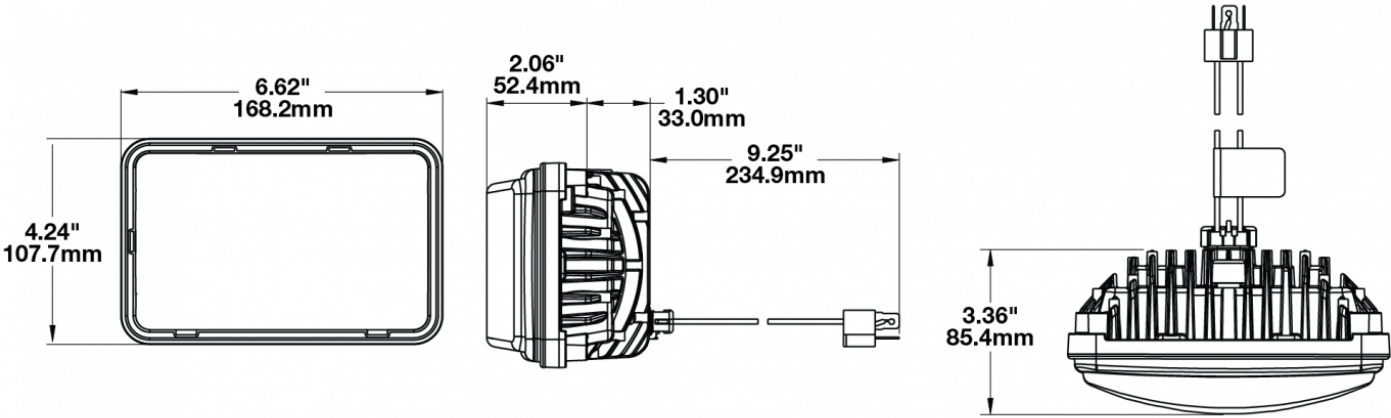
Print date: 2017-06-27

© 2017 J.W. Speaker Corporation • Germantown, WI U.S.A.
 www.jwspeaker.com • speaker@jwspeaker.com • 262.251.6660

J.W. SPEAKER 
 Engineered. Lighting. Solutions.

LED Headlights – Model 8800 Evolution 2

PRODUCT DIMENSIONS



ELECTRICAL SPECIFICATIONS

Input Voltage	12-24 V
Operating Voltage	9-32 V
Red Wire	High Beam
Black Wire	Ground
Current Draw	2.10A @ 12V 1.00A @ 24V

REGULATORY STANDARDS COMPLIANCE



Buy America Standards
Eco Friendly
IEC IP69K

ECE Reg 112
FMVSS 108 Table XVIII

Print date: 2017-06-27

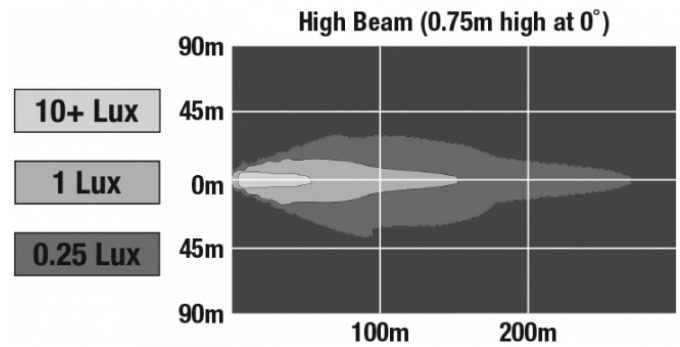
© 2017 J.W. Speaker Corporation • Germantown, WI U.S.A.
www.jwspeaker.com • speaker@jwspeaker.com • 262.251.6660



LED Headlights – Model 8800 Evolution 2

PHOTOMETRIC SPECIFICATIONS

Raw Lumen Output	2,250
Effective Lumen Output	898
Candela Output	73,200
Nominal LED Color Temperature	5000 K
Beam Pattern(s)	Forward Lighting - High Beam (DOT/ECE)



APPLICATIONS



Print date: 2017-06-27

© 2017 J.W. Speaker Corporation • Germantown, WI U.S.A.
www.jwspeaker.com • speaker@jwspeaker.com • 262.251.6660

LED Headlights – Model 8800 Evolution 2

RELATED PRODUCTS



**Part Number
0551371**
12-24V DOT/ECE LED
RHT Low Beam
Headlight with Chrome
Bezel



**Part Number
0551381**
12-24V DOT/ECE LED
High Beam Headlight
with Chrome Bezel



**Part Number
0551391**
12-24V ECE LED LHT
Low Beam Headlight
with Chrome Bezel



**Part Number
0551771**
12-24V DOT/ECE LED
RHT Low Beam Heated
Headlight with Chrome
Bezel



**Part Number
0551781**
12-24V DOT/ECE LED
High Beam Heated
Headlight with Chrome
Bezel



**Part Number
0552091**
12-24V ECE LED LHT
Low Beam Heated
Headlight with Chrome
Bezel



**Part Number
0552551**
12-24V DOT/ECE LED
RHT Low Beam
Headlight with Black
Bezel



**Part Number
0552561**
12-24V ECE LED LHT
Low Beam Headlight
with Black Bezel