

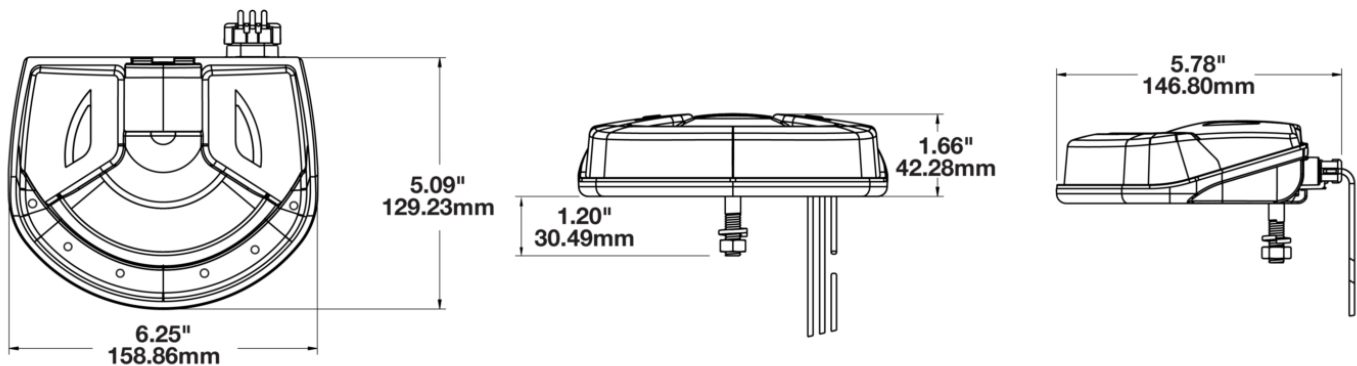
Mounting Kit For Model 710 Work Light

PRODUCT INFORMATION

Description	Mounting Kit For Model 710 Work Light
Mounting Hardware Description	(x2) M8-40 Clickbond Stud with Lockwasher and Nut
Product Weight	0.27 lbs / 0.12 kgs
Shipping Weight	7.25 lbs / 3.29 kgs



PRODUCT DIMENSIONS



Print date: 2026-06-19

© 2026 J.W. Speaker Corporation • Germantown, WI U.S.A.
www.jwspeaker.com • speaker@jwspeaker.com • 262.251.6660

J.W. SPEAKER
 Engineered. Lighting. Solutions.

Mounting Kit For Model 710 Work Light

APPLICATIONS



PRODUCT WARNINGS

For California residents:

⚠ **WARNING:** Cancer and reproductive harm - www.P65Warnings.ca.gov.

⚠ **AVERTISSEMENT:** Cancer et effet nocif sur la reproduction - www.P65Warnings.ca.gov.

SUITS THESE PRODUCTS



Low Profile LED
Warehouse Work
Light

Warehouse LED Work
Light - Model 710

Print date: 2026-06-19

© 2026 J.W. Speaker Corporation • Germantown, WI U.S.A.
www.jwspeaker.com • speaker@jwspeaker.com • 262.251.6660