

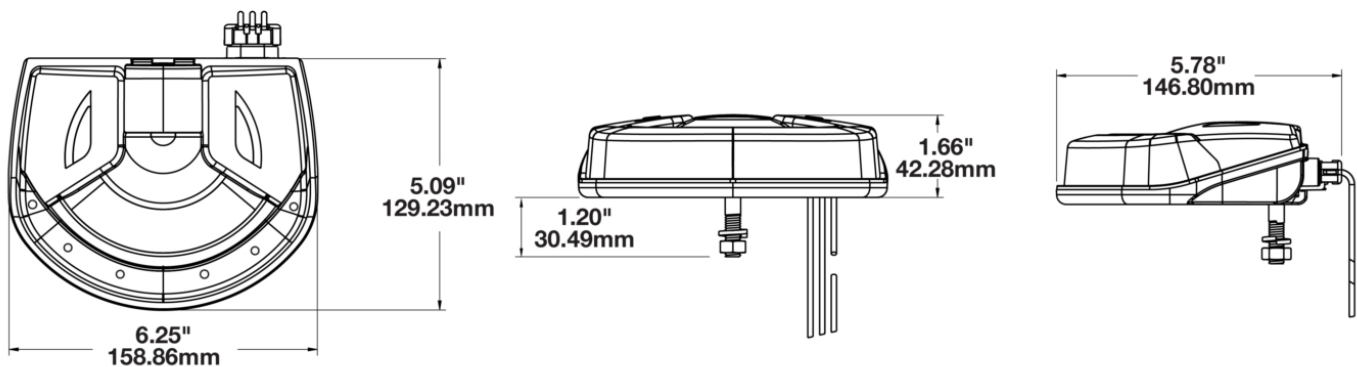
Warehouse LED Work Light - Model 710

PRODUCT INFORMATION

Description	12-110V LED Warehouse Work Light with Vertical Flood Beam Pattern
Height	130.00 mm / 5.12 in
Width	159.00 mm / 6.26 in
Depth	43.00 mm / 1.69 in
Shape	Stylized
Outer Lens Material	Polycarbonate
Outer Lens Color	Black/Clear
Housing Material	Polycarbonate
Housing Color	Black
Mounting Hardware Description	(x1) M8-30.5mm Black Zinc Plate Flange Bolt
Mounting Type	Flush
Connector or Wiring	Integrated 3-Pin Packard (12129615)
Mating Connector	Packard 12110293
Product Weight	0.75 lbs / 0.34 kgs
Shipping Weight	1.10 lbs / 0.5 kgs



PRODUCT DIMENSIONS



Print date: 2018-07-20

© 2018 J.W. Speaker Corporation • Germantown, WI U.S.A.
www.jwspeaker.com • speaker@jwspeaker.com • 262.251.6660

J.W. SPEAKER
Engineered. Lighting. Solutions.

Warehouse LED Work Light - Model 710

ELECTRICAL SPECIFICATIONS

Input Voltage	12-110V DC
Operating Voltage	9-110V DC
Transient Spike Protection	330V Peak @ 1 HZ-100 Pulses
Current Draw	1.54A @ 12V DC (3 LED's) 0.67A @ 24V DC (3 LED's) 0.33A @ 60V DC (3 LED's) 0.20A @ 110V DC (3 LED's) 1.59A @ 12V DC (6 LED's) 0.74A @ 24V DC (6 LED's) 0.34A @ 60V DC (6 LED's) 0.23A @ 110V DC (6 LED's)

REGULATORY STANDARDS COMPLIANCE



Buy America Standards

Eco Friendly

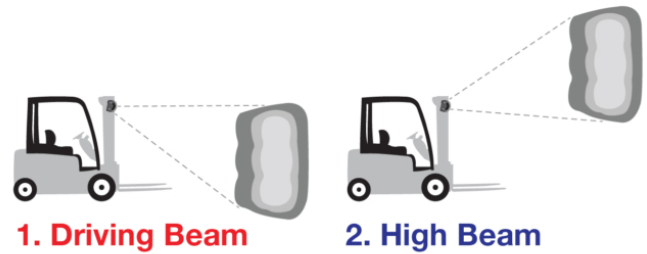
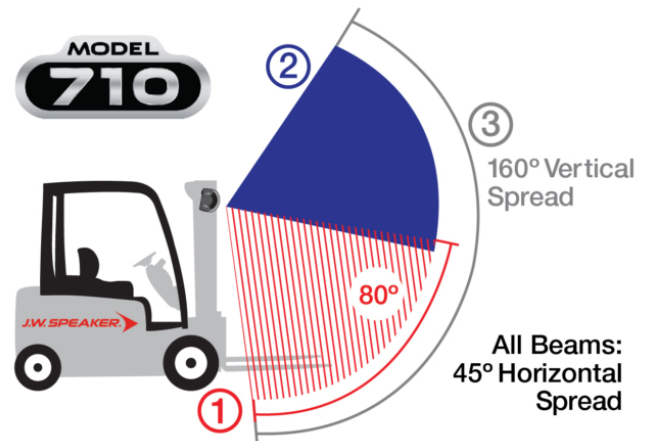
Print date: 2018-07-20

© 2018 J.W. Speaker Corporation • Germantown, WI U.S.A.
www.jwspeaker.com • speaker@jwspeaker.com • 262.251.6660

Warehouse LED Work Light - Model 710

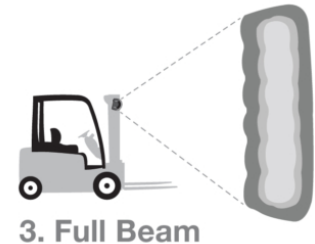
PHOTOMETRIC SPECIFICATIONS

Raw Lumen Output	2,000 (6 LEDs); 1,630 (3 LEDs)
Effective Lumen Output	1,600 (6 LEDs); 780 (3 LEDs)
Beam Pattern(s)	Forward Lighting - Flood (Vertical)

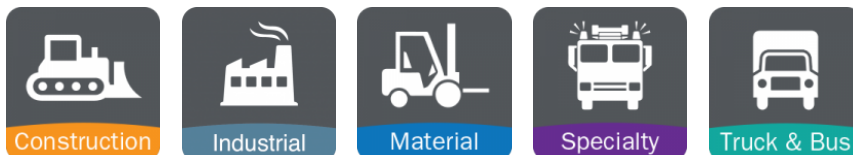


At 3m on Full Beam:

Max Lux: 116
 Pattern Shape:
 2.8m x 22.4m



APPLICATIONS



Print date: 2018-07-20

© 2018 J.W. Speaker Corporation • Germantown, WI U.S.A.
 www.jwspeaker.com • speaker@jwspeaker.com • 262.251.6660

Warehouse LED Work Light - Model 710

ACCESSORIES



Part Number

8200501

Mounting Kit For
Model 710 Work Light

Print date: 2018-07-20

© 2018 J.W. Speaker Corporation • Germantown, WI U.S.A.
www.jwspeaker.com • speaker@jwspeaker.com • 262.251.6660