

LED Compact Work Light - Model 792

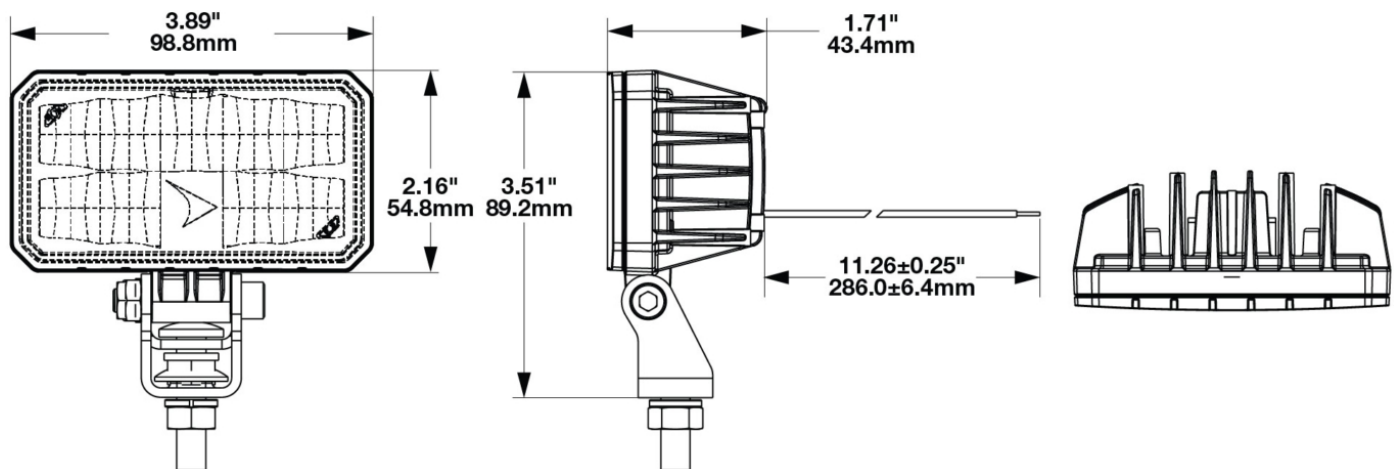
PRODUCT INFORMATION

Description	12-24V LED Anti-Glare, 590Nm, Eco-Friendly Work Light with Pedestal Mount and Harness
Height	76.10 mm / 3 in
Width	98.80 mm / 3.89 in
Depth	43.40 mm / 1.71 in
Shape	Rectangular
Outer Lens Material	Polycarbonate
Outer Lens Color	Clear
Housing Color	Black
Mounting Hardware Description	(x1) 8mm-20 x 25mm Mounting Bolt Bracket
Mating Connector	JAE Connector MX19A003S51 harness included with flying leads
Product Weight	0.40 lbs / 0.18 kgs
Shipping Weight	7.19 lbs / 3.26 kgs



MODEL
792

PRODUCT DIMENSIONS



Print date: 2026-07-03

© 2026 J.W. Speaker Corporation • Germantown, WI U.S.A.
www.jwspeaker.com • speaker@jwspeaker.com • 262.251.6660

J.W. SPEAKER
Engineered. Lighting. Solutions.

LED Compact Work Light - Model 792

ELECTRICAL SPECIFICATIONS

Input Voltage	12-24V DC
Operating Voltage	9-30V DC
Red Wire	Power
Black Wire	Ground
Current Draw	1.36A @ 12V DC (Power) 0.69A @ 24V DC (Power)

REGULATORY STANDARDS COMPLIANCE

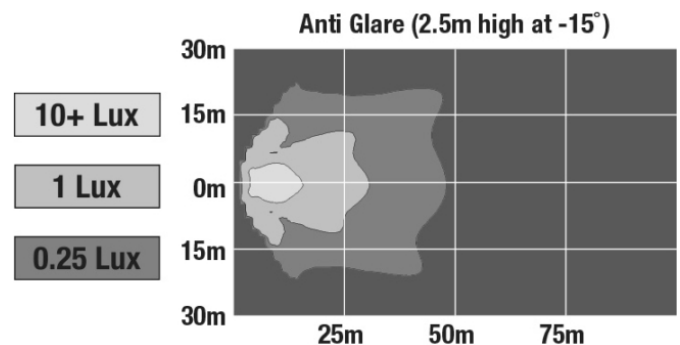


IEC IP67

IEC IP69K

PHOTOMETRIC SPECIFICATIONS

Effective Lumen Output	970
Candela Output	4000
Nominal LED Color Temperature	1850 K



PRODUCT WARNINGS

For California residents:

⚠ **WARNING:** Cancer and reproductive harm - www.P65Warnings.ca.gov.

⚠ **AVERTISSEMENT:** Cancer et effet nocif sur la reproduction - www.P65Warnings.ca.gov.

Print date: 2026-07-03

© 2026 J.W. Speaker Corporation • Germantown, WI U.S.A.
www.jwspeaker.com • speaker@jwspeaker.com • 262.251.6660

J.W. SPEAKER
Engineered. Lighting. Solutions.

LED Compact Work Light - Model 792

ACCESSORIES



Part Number
8201241

DIN Pole Mount for
Work Lights

RELATED PRODUCTS



Part Number
1603921

12-24V LED Compact
Work Light with
Pedestal Mount



Part Number
1603931

36-80V LED Compact
Work Light with
Pedestal Mount



Part Number
1603932

36-80V LED Compact
Work Light with
Pedestal Mount (BULK
with Harness)



Part Number
1603951

12-24V LED Compact
Work Light with Panel
Mount



Part Number
1603971

36-80V LED Compact
Work Light with Panel
Mount

Print date: 2026-07-03

© 2026 J.W. Speaker Corporation • Germantown, WI U.S.A.
www.jwspeaker.com • speaker@jwspeaker.com • 262.251.6660