

# LED Headlights - Model 90

## PRODUCT INFORMATION

<b>Description</b>	12-24V ECE LED LHT Low Beam Headlight
<b>Height</b>	108.46 mm / 4.27 in
<b>Width</b>	108.46 mm / 4.27 in
<b>Depth</b>	90.42 mm / 3.56 in
<b>Shape</b>	Round
<b>Outer Lens Material</b>	Polycarbonate
<b>Outer Lens Color</b>	Clear
<b>Housing Material</b>	Die-Cast Aluminum
<b>Housing Color</b>	Raw Aluminum
<b>Bezel Color</b>	Black
<b>Mounting Hardware Description</b>	(x3) Ball & Socket
<b>Mounting Type</b>	Low Profile Mounts
<b>Minimum Operating Temperature</b>	-40 °C / -40 °F
<b>Maximum Operating Temperature</b>	65 °C / 149 °F
<b>Connector or Wiring</b>	6" Bare Leads
<b>Mating Connector</b>	Deutsch 2-Pin
<b>Product Weight</b>	1.30 lbs / 0.59 kgs
<b>Shipping Weight</b>	1.16 lbs / 0.53 kgs



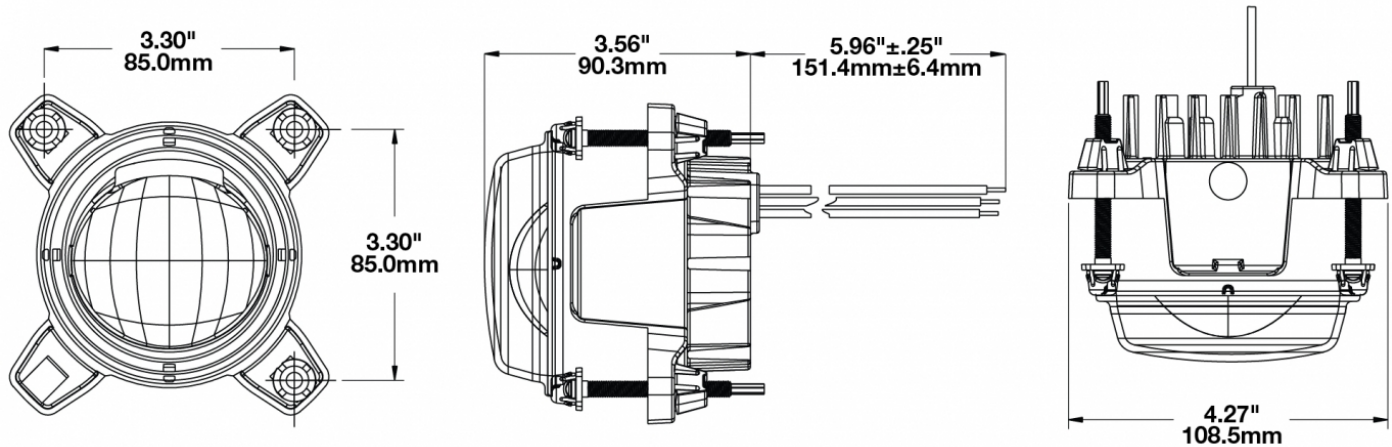
Print date: 2018-05-27

© 2018 J.W. Speaker Corporation • Germantown, WI U.S.A.  
 www.jwspeaker.com • speaker@jwspeaker.com • 262.251.6660

**J.W. SPEAKER**  
 Engineered. Lighting. Solutions.

# LED Headlights - Model 90

## PRODUCT DIMENSIONS



## ELECTRICAL SPECIFICATIONS

<b>Input Voltage</b>	12-24V DC
<b>Operating Voltage</b>	10-31V DC
<b>Red Wire</b>	Positive
<b>Black Wire</b>	Negative
<b>Current Draw</b>	1.97A @ 12V DC 0.98A @ 24V DC

## REGULATORY STANDARDS COMPLIANCE



Buy America Standards  
Eco Friendly

ECE Reg 112  
IEC IP67

Print date: 2018-05-27

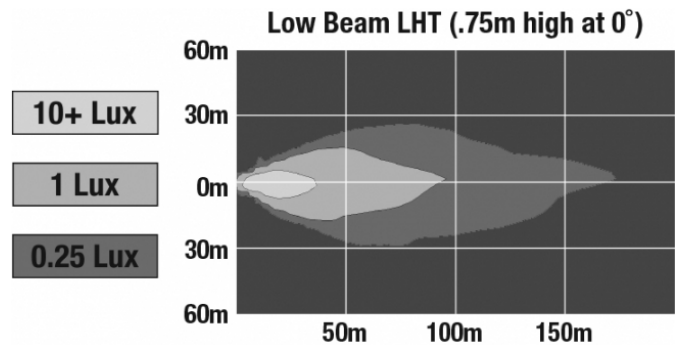
© 2018 J.W. Speaker Corporation • Germantown, WI U.S.A.  
www.jwspeaker.com • speaker@jwspeaker.com • 262.251.6660

**J.W. SPEAKER**  
Engineered. Lighting. Solutions.

# LED Headlights - Model 90

## PHOTOMETRIC SPECIFICATIONS

<b>Raw Lumen Output</b>	1,910
<b>Effective Lumen Output</b>	575
<b>Candela Output</b>	18,500
<b>Nominal LED Color Temperature</b>	5000 K
<b>Beam Pattern(s)</b>	Forward Lighting - Low Beam (ECE Left Hand)



## APPLICATIONS



## ACCESSORIES



### **Part Number**

**8200111**

Model 90 Replacement  
Adjuster Kit

Print date: 2018-05-27

© 2018 J.W. Speaker Corporation • Germantown, WI U.S.A.  
www.jwspeaker.com • speaker@jwspeaker.com • 262.251.6660

# LED Headlights - Model 90

## RELATED PRODUCTS

---



**Part Number**  
**0547751**  
12-24V DOT/ECE LED  
High Beam Headlight



**Part Number**  
**0551211**  
12-24V DOT/ECE LED  
RHT Low Beam  
Headlight



**Part Number**  
**0551221**  
12-24V DOT/ECE LED  
Symmetrical Low Beam  
Headlight



**Part Number**  
**0553053**  
12-24V DOT/ECE LED  
Low Beam Headlight  
(for John Deere 6R, 7R  
& 8R Series Tractors) -  
2 Light Kit