

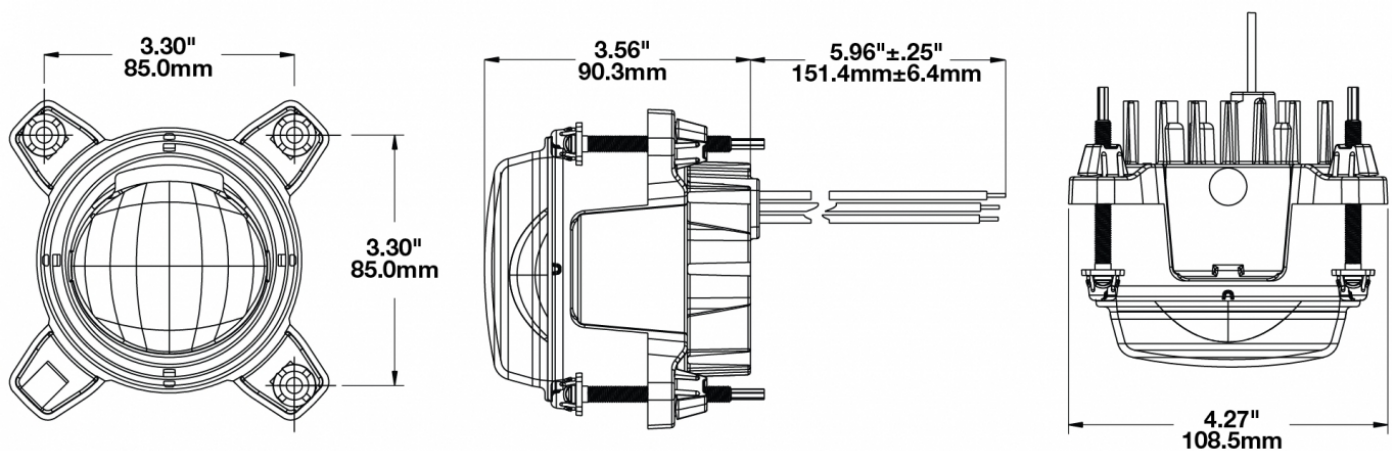
LED Headlights - Model 90

PRODUCT INFORMATION

Description	12-24V DOT/ECE LED High Beam Headlight
Height	108.46 mm / 4.27 in
Width	108.46 mm / 4.27 in
Depth	90.42 mm / 3.56 in
Shape	Round
Outer Lens Material	Polycarbonate
Outer Lens Color	Clear
Housing Material	Die-Cast Aluminum
Housing Color	Black
Mounting Hardware Description	(x3) Ball & Socket
Mounting Type	Low Profile Mount
Minimum Operating Temperature	-40 °C / -40 °F
Maximum Operating Temperature	65 °C / 149 °F
Connector or Wiring	6" Bare Leads
Product Weight	1.30 lbs / 0.59 kgs
Shipping Weight	1.40 lbs / 0.64 kgs



PRODUCT DIMENSIONS



Print date: 2017-10-18

© 2017 J.W. Speaker Corporation • Germantown, WI U.S.A.
 www.jwspeaker.com • speaker@jwspeaker.com • 262.251.6660

J.W. SPEAKER 
 Engineered. Lighting. Solutions.

LED Headlights - Model 90

ELECTRICAL SPECIFICATIONS

Input Voltage	12-24V DC
Operating Voltage	10.5-38V DC
Transient Spike Protection	150V Peak @ 1 HZ-100 Pulses
Red Wire	Positive
Black Wire	Negative
White Wire	Front Position
Current Draw	0.80A @ 12V DC (High Beam) 0.40A @ 24V DC (High Beam) 0.40A @ 12V DC (Front Position) 0.20A @ 24V DC (Front Position)

REGULATORY STANDARDS COMPLIANCE

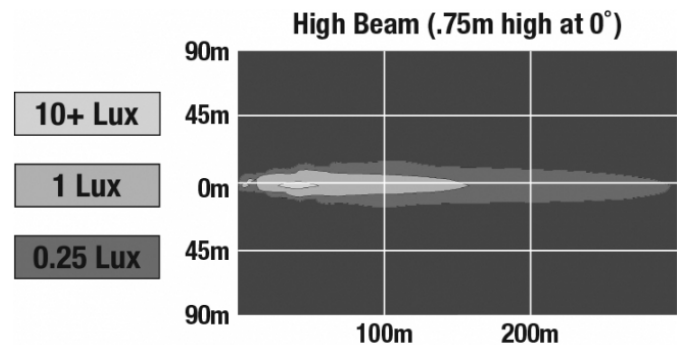


Buy America Standards
ECE Reg 7
FMVSS 108 Table XVIII

ECE Reg 112
Eco Friendly
IEC IP67

PHOTOMETRIC SPECIFICATIONS

Raw Lumen Output	630
Effective Lumen Output	230
Candela Output	45,000
Nominal LED Color Temperature	5000 K
Beam Pattern(s)	Forward Lighting - High Beam (DOT/ECE) Signalization - Front Position



Print date: 2017-10-18

© 2017 J.W. Speaker Corporation • Germantown, WI U.S.A.
www.jwspeaker.com • speaker@jwspeaker.com • 262.251.6660

LED Headlights - Model 90

APPLICATIONS



ADDITIONAL INFORMATION

Headlight must be securely mounted and properly aimed such that the beam pattern cut off line complies with all applicable regulations. If you are not familiar with the legal requirements for aiming your headlights, please see a professional service provider. We recommend that headlights are aimed with a headlight aiming system for proper alignment.

ACCESSORIES



Part Number

8200111

Model 90 Replacement
Adjuster Kit

LED Headlights - Model 90

RELATED PRODUCTS



Part Number
0551201
12-24V ECE LED LHT
Low Beam Headlight



Part Number
0551211
12-24V DOT/ECE LED
RHT Low Beam
Headlight



Part Number
0551221
12-24V DOT/ECE LED
Symmetrical Low Beam
Headlight



Part Number
0553053
12-24V DOT/ECE LED
Low Beam Headlight
(for John Deere 6R, 7R
& 8R Series Tractors) -
2 Light Kit