

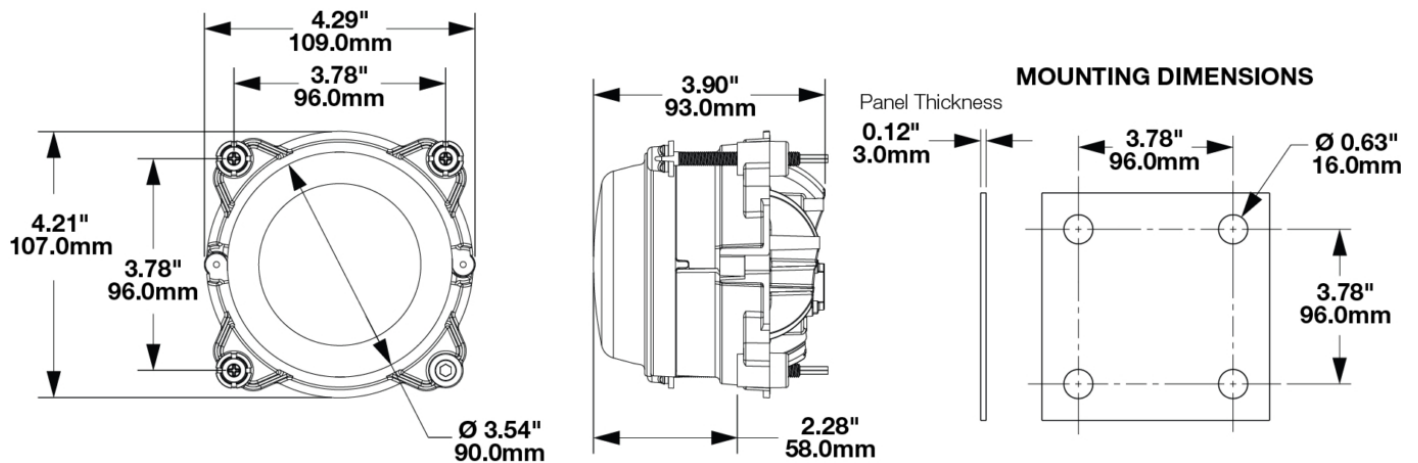
3-Point Mount for 3mm Mounting Frame

PRODUCT INFORMATION

Description	3-Point Mount for 3mm Mounting Frame
Product Weight	0.25 lbs / 0.11 kgs
Shipping Weight	0.31 lbs / 0.14 kgs



PRODUCT DIMENSIONS

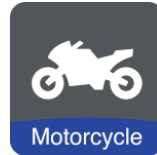


Print date: 2019-12-15

© 2019 J.W. Speaker Corporation • Germantown, WI U.S.A.
www.jwspeaker.com • speaker@jwspeaker.com • 262.251.6660

3-Point Mount for 3mm Mounting Frame

APPLICATIONS



PRODUCT WARNINGS

For California residents:

⚠ WARNING: Cancer and reproductive harm - www.P65Warnings.ca.gov.

⚠ AVERTISSEMENT: Cancer et effet nocif sur la reproduction - www.P65Warnings.ca.gov.

SUITS THESE PRODUCTS



100mm Bi-LED Headlamp

Bi-LED Headlight -
Model 97

Print date: 2019-12-15

© 2019 J.W. Speaker Corporation • Germantown, WI U.S.A.
www.jwspeaker.com • speaker@jwspeaker.com • 262.251.6660