

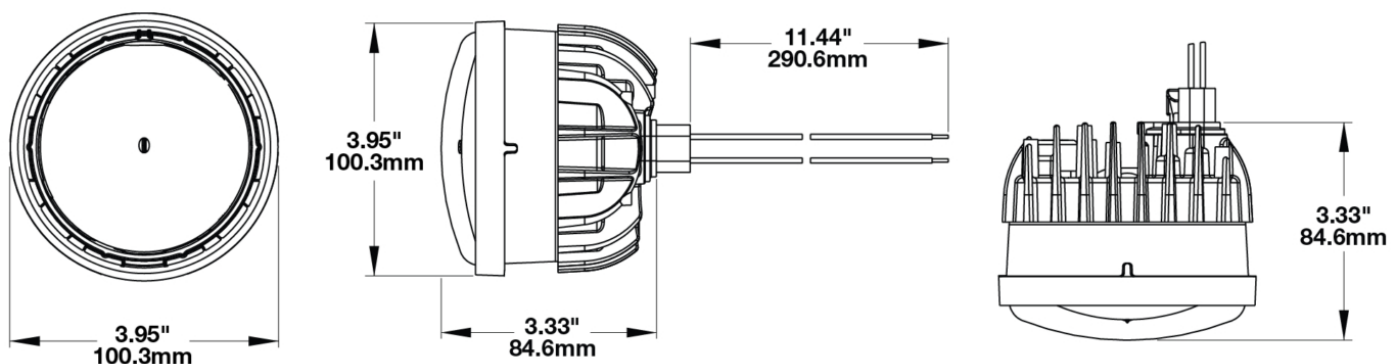
Bi-LED Headlight - Model 97

PRODUCT INFORMATION

Description	12-24V DOT/ECE High & Low Beam Headlight (Reg 113)
Height	100.00 mm / 3.94 in
Width	100.00 mm / 3.94 in
Depth	85.00 mm / 3.35 in
Shape	Round
Outer Lens Material	Polycarbonate
Outer Lens Color	Clear
Housing Material	Aluminum
Housing Color	Black
Bezel Color	Black
Minimum Operating Temperature	-40 °C / -40 °F
Maximum Operating Temperature	65 °C / 149 °F
Connector or Wiring	Deutsch DT04-4P
Mating Connector	Deutsch DT06-4S
Product Weight	1.85 lbs / 0.84 kgs
Shipping Weight	1.85 lbs / 0.84 kgs



PRODUCT DIMENSIONS



Print date: 2026-06-01

© 2026 J.W. Speaker Corporation • Germantown, WI U.S.A.
 www.jwspeaker.com • speaker@jwspeaker.com • 262.251.6660

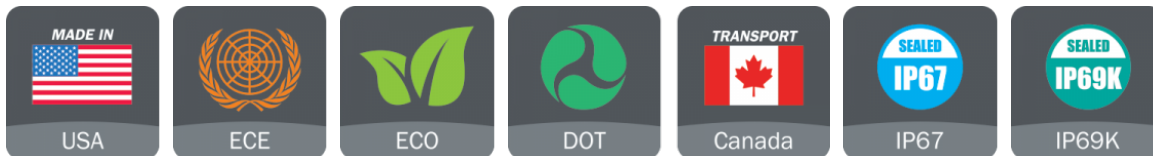
J.W. SPEAKER
 Engineered. Lighting. Solutions.

Bi-LED Headlight - Model 97

ELECTRICAL SPECIFICATIONS

Input Voltage	12-24V DC
Operating Voltage	10-32V DC
Transient Spike Protection	150V Peak @ 1 HZ-100 Pulses
Black Wire	Ground
Yellow Wire	Low Beam
White Wire	High Beam
Red Wire	Front Position
Current Draw	1.5A @ 12V DC (Low Beam) 1.8A @ 12V DC (High Beam) 0.1A @ 12V DC (Front Position) 0.8A @ 24V DC (Low Beam) 1.0A @ 24V DC (High Beam) 0.06A @ 24V DC (Front Position)

REGULATORY STANDARDS COMPLIANCE



Buy America Standards	ECE Reg 10
ECE Reg 113	ECE Reg 50
Eco Friendly	FMVSS 108 s10.1 (Table XX)
IEC IP67	IEC IP69K

Print date: 2026-06-01

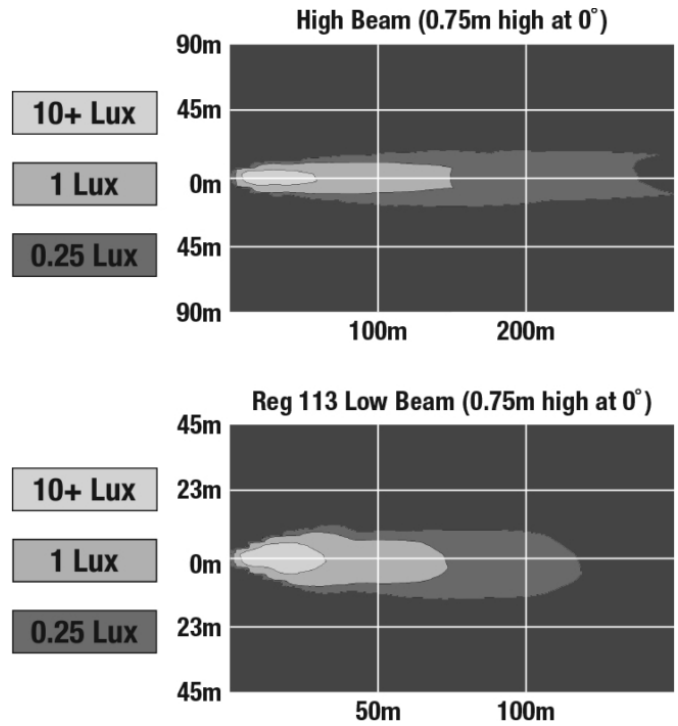
© 2026 J.W. Speaker Corporation • Germantown, WI U.S.A.
www.jwspeaker.com • speaker@jwspeaker.com • 262.251.6660

J.W. SPEAKER
Engineered. Lighting. Solutions.

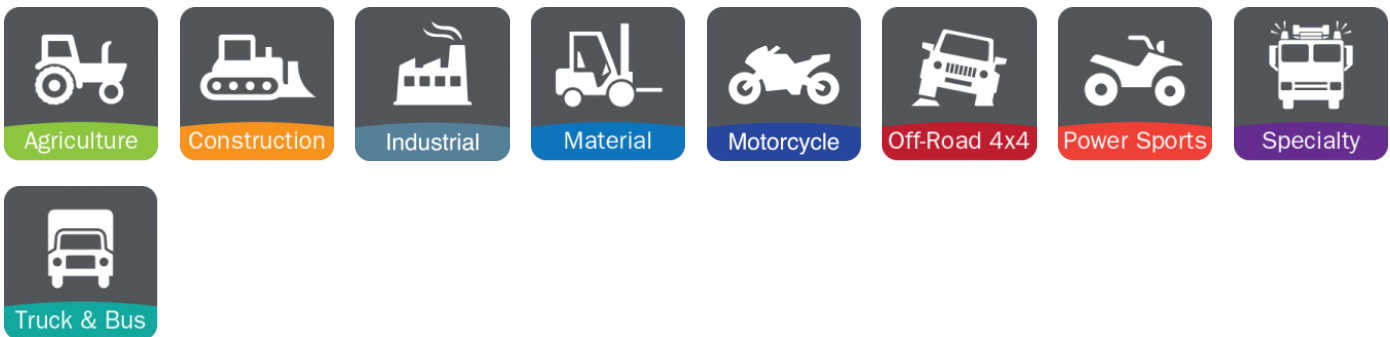
Bi-LED Headlight - Model 97

PHOTOMETRIC SPECIFICATIONS

Raw Lumen Output	1,800 (High Beam); 1,600 (Low Beam)
Effective Lumen Output	497 (High Beam); 321 (Low Beam)
Candela Output	41,800 (High Beam); 14,600 (Low Beam)
Nominal LED Color Temperature	5000 K
Beam Pattern(s)	Forward Lighting - High Beam (DOT/ECE) Forward Lighting - Low Beam (DOT/ECE) Signalization - Front Position



APPLICATIONS



Print date: 2026-06-01

© 2026 J.W. Speaker Corporation • Germantown, WI U.S.A.
www.jwspeaker.com • speaker@jwspeaker.com • 262.251.6660

Bi-LED Headlight - Model 97

PRODUCT WARNINGS

For California residents:

⚠ **WARNING:** Cancer and reproductive harm - www.P65Warnings.ca.gov.

⚠ **AVERTISSEMENT:** Cancer et effet nocif sur la reproduction - www.P65Warnings.ca.gov.

ACCESSORIES



Part Number
8001511

3-Point Mount for 3mm
Mounting Frame



Part Number
8001521

Single Pedestal Mount
Kit



Part Number
8001471

90mm Light 3-Point
Mount for 3mm
Mounting Frame

RELATED PRODUCTS



Part Number
0554911

12-24V ECE LHT High
& Low Beam Headlight
(Reg 112)

Print date: 2026-06-01

© 2026 J.W. Speaker Corporation • Germantown, WI U.S.A.
www.jwspeaker.com • speaker@jwspeaker.com • 262.251.6660